

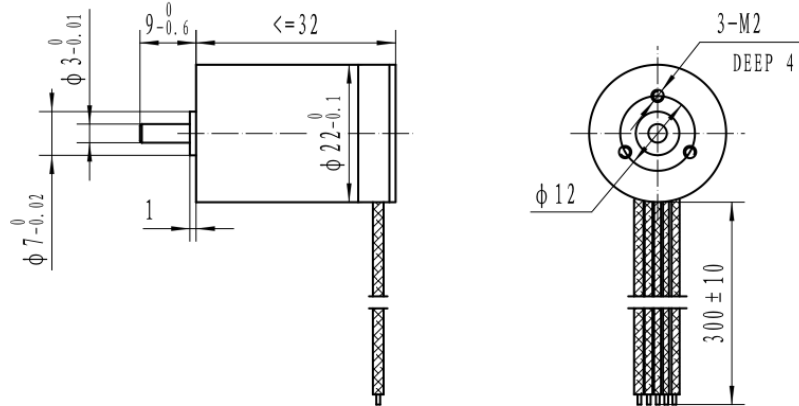
Brushless DC Motor - 22 mm Ø



B22E06BZ000

1.5 Watts Peak Power

Global Motion Products



MOTOR			HALL				
RED	BLK	WHT	GRN	BLU	BRW	YEL	ORG
A	B	C	H+	H-	Ha	Hb	Hc

Dimensions in mm
Not to Scale

Nominal voltage	6.0 Volts
No-load speed	8,000 rpm
Stall torque	7.5 mNm
No-load current	0.060 Amps
Peak Output power	1.5 Watts

Torque constant	6.78 mNm/A
Terminal resistance	5.40 Ohms
Back-EMF constant	0.71 V/krpm
Winding inductance	0.210 mH

Slope of speed/torque curve	1,062.7 rpm/mNm
Maximum Efficiency	59 %
Motor Constant	2.92 mNm/Sqrt Watt

Commutation Type	Electronic - Hall Effect
------------------	--------------------------

Radial Load Rating	Radial Play	Max Temperature	85 °C
Radial Load Distance	Thrust Play	Min Temperature	-35 °C
Axial Load	Magnet Type	Max Winding Temp	125 °C
Press Fit Force - Max	Bearing Type	Mass	58 grams
Gearbox Options	Planetary P22 Series		
Encoder Options	Contact GMP		
Options - Other	Windings, special shafts, sensorless version, lubrication, connectors.		

Global Motion Products

Distributed by:

Precision Motion Distributors: (925) 803-9565

Technical Support: (760) 451-2723

<http://www.gmpwebsite.com> Email: info@gmpwebsite.com

RoHS Compliant

A - January 2011

Specifications Subject to change without notice