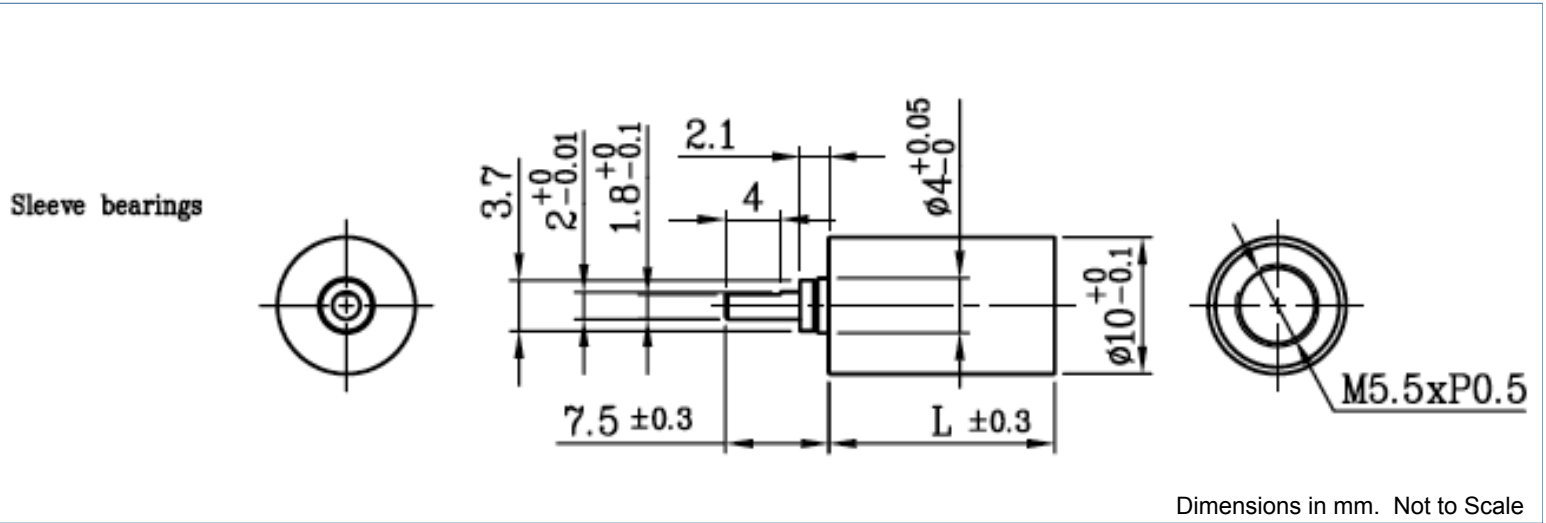


Planetary Gearbox - 10 mm Ø



Global Motion Products

P10 •••• AS00



4.0:1	85	78 mNm	235 mNm	12.20	6.2	Same	P100004AS00
16.0:1	75	118 mNm	353 mNm	15.30	7.2	Same	P100016AS00
64.0:1	65	157 mNm	471 mNm	18.40	8.2	Same	P100064AS00
256.0:1	55	177 mNm	530 mNm	21.50	10.2	Same	P100256AS00
1,024.0:1	45	196 mNm	588 mNm	24.60	11.2	Same	P101024AS00
4,096.0:1	40	196 mNm	588 mNm	27.70	13.2	Same	P104096AS00

Radial Load Rating ≤ 1.0 N
 Radial Load Distance 5 mm
 Axial Load ≤ 2.0 N
 Press Fit Force - Max ≤ 4.9 N

Radial Play ≤ 0.05 mm
 Thrust Play ≤ 0.20 mm
 Backlash $\leq 3.0^\circ$

Max Temperature - 60°C
 Min Temperature - -10°C
 Relative Humidity - 20% to 80%

Bearing Type Sleeve

Options

Lubrication. Bearings. Coreless and Iron Core Motors. Motors with encoders. Wiring harness. Connectors.

* Rotational Sense of Gearbox Output Shaft to Motor Shaft

Global Motion Products

Distributed by:

Precision Motion Distributors: (925) 803-9565

Technical Support: (760) 451-2723

<http://www.gmpwebsite.com> Email: info@gmpwebsite.com

A - January 2011

Specifications Subject to change without notice

RoHS Compliant