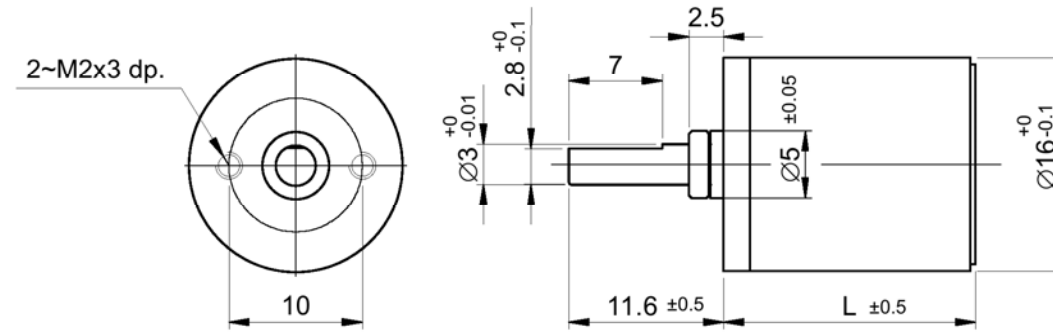


# Planetary Gearbox - 16 mm Ø



Global Motion Products

P16 •••• AS00



Not to Scale  
Dimensions in millimeters (mm)

Dimensions in mm. Not to Scale

4.0:1	80	98 mNm	294 mNm	15.05	19.0	Same	P160004AS00
14.0:1	70	147 mNm	441 mNm	18.70	23.0	Same	P160014AS00
19.0:1	70	147 mNm	441 mNm	18.70	23.0	Same	P160019AS00
29.0:1	60	147 mNm	588 mNm	22.35	27.0	Same	P160029AS00
62.0:1	60	196 mNm	588 mNm	22.35	27.0	Same	P160062AS00
72.0:1	60	196 mNm	588 mNm	22.35	27.0	Same	P160072AS00
84.0:1	60	196 mNm	588 mNm	22.35	27.0	Same	P160084AS00
104.0:1	60	196 mNm	588 mNm	22.35	27.0	Same	P160104AS00
128.0:1	60	245 mNm	588 mNm	22.35	27.0	Same	P160128AS00
157.0:1	60	245 mNm	588 mNm	22.35	27.0	Same	P160157AS00

Radial Load Rating ≤ 4.9 N  
 Radial Load Distance 10 mm  
 Axial Load ≤ 4.9 N  
 Press Fit Force - Max ≤ 14.7 N

Radial Play ≤ 0.05 mm  
 Thrust Play ≤ 0.20 mm  
 Backlash ≤ 3.0°

Max Temperature - 60°C  
 Min Temperature - -10°C  
 Relative Humidity - 20% to 80%

Bearing Type Sleeve

Options

Lubrication. Bearings. Coreless and Iron Core Motors. Motors with encoders. Wiring harness. Connectors.

\* Rotational Sense of Gearbox Output Shaft to Motor Shaft

Global Motion Products

Distributed by:

Precision Motion Distributors: (925) 803-9565

Technical Support: (760) 451-2723

<http://www.gmpwebsite.com> Email: [info@gmpwebsite.com](mailto:info@gmpwebsite.com)

A - January 2011

Specifications Subject to change without notice

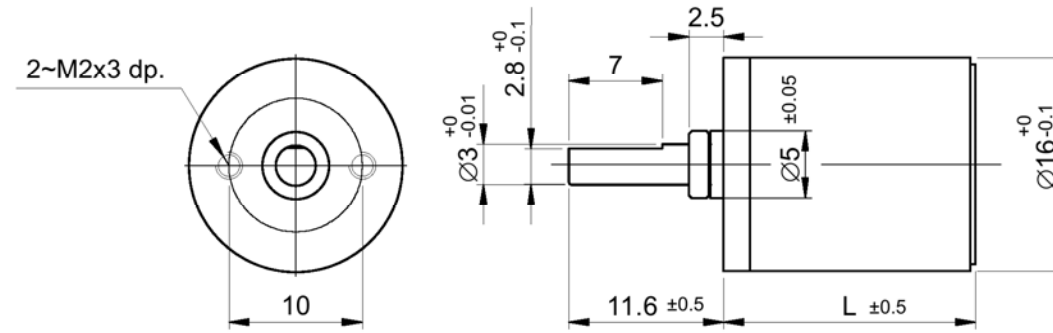
RoHS Compliant

# Planetary Gearbox - 16 mm Ø



Global Motion Products

P16 •••• AS00



Not to Scale  
Dimensions in millimeters (mm)

Dimensions in mm. Not to Scale

231.0:1	50	245 mNm	245 mNm	26.00	31.0	Same	P160231AS00
316.0:1	50	245 mNm	245 mNm	26.00	31.0	Same	P160316AS00
370.0:1	50	245 mNm	245 mNm	26.00	31.0	Same	P160370AS00
455.0:1	50	245 mNm	245 mNm	26.00	31.0	Same	P160455AS00
561.0:1	50	245 mNm	245 mNm	26.00	31.0	Same	P160561AS00
690.0:1	50	245 mNm	245 mNm	26.00	31.0	Same	P160690AS00
1,014.0:1	40	294 mNm	294 mNm	29.65	35.0	Same	P161014AS00
1,621.0:1	40	294 mNm	294 mNm	29.65	35.0	Same	P161621AS00
1,996.0:1	40	294 mNm	294 mNm	29.65	35.0	Same	P161996AS00
3,027.0:1	40	294 mNm	294 mNm	29.65	35.0	Same	P163027AS00

Radial Load Rating ≤ 4.9 N  
 Radial Load Distance 10 mm  
 Axial Load ≤ 4.9 N  
 Press Fit Force - Max ≤ 14.7 N

Radial Play ≤ 0.05 mm  
 Thrust Play ≤ 0.20 mm  
 Backlash ≤ 3.0°

Max Temperature - 60°C  
 Min Temperature - -10°C  
 Relative Humidity - 20% to 80%

Bearing Type Sleeve

Options

Lubrication. Bearings. Coreless and Iron Core Motors. Motors with encoders. Wiring harness. Connectors.

\* Rotational Sense of Gearbox Output Shaft to Motor Shaft

Global Motion Products

Distributed by:

Precision Motion Distributors: (925) 803-9565

Technical Support: (760) 451-2723

<http://www.gmpwebsite.com> Email: [info@gmpwebsite.com](mailto:info@gmpwebsite.com)

A - January 2011

Specifications Subject to change without notice

RoHS Compliant