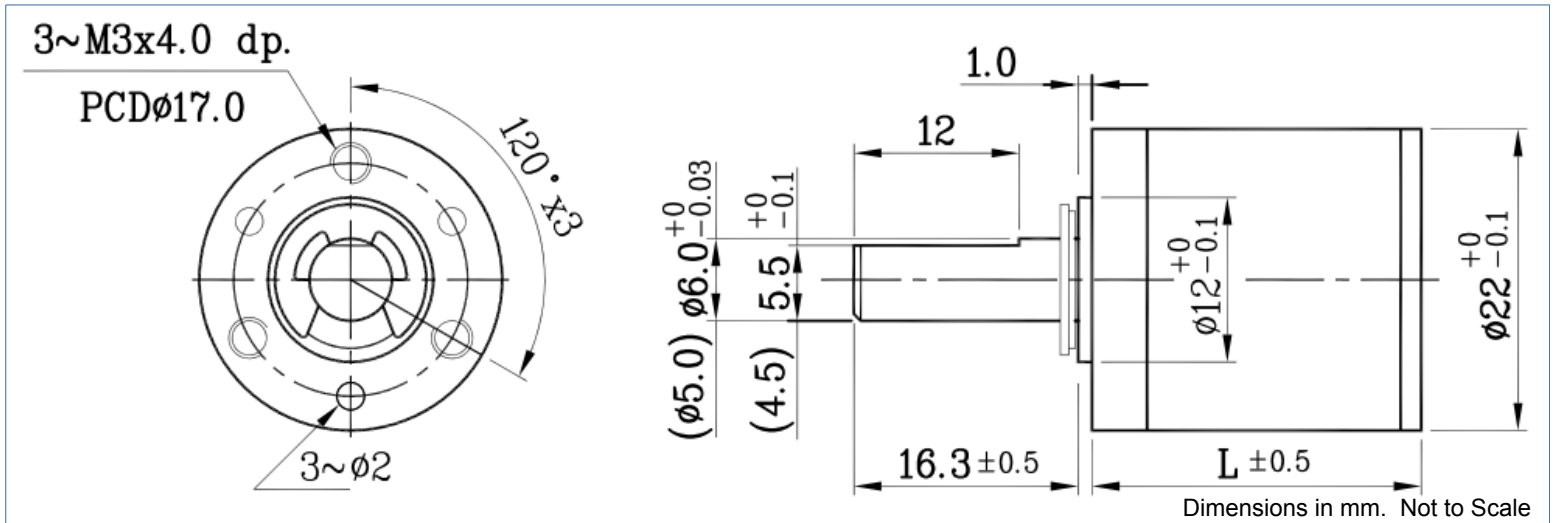


Planetary Gearbox - 22 mm Ø



Global Motion Products

P22 •••• BB00



Ratio	Efficiency %	Continuous Torque Nm	Momentary Torque Nm	Length L mm	Mass grams	Direction of Rotation*	Order Part Number
4.7:1	80	0.20 Nm	0.59 Nm	23.30	46.0	Same	P220004BB00
18.0:1	70	0.29 Nm	0.88 Nm	29.50	51.0	Same	P220018BB00
20.1:1	70	0.29 Nm	0.88 Nm	29.50	51.0	Same	P220020BB00
25.0:1	70	0.29 Nm	0.88 Nm	29.50	51.0	Same	P220025BB00
66.1:1	60	0.39 Nm	1.18 Nm	35.70	58.0	Same	P220066BB00
77.1:1	60	0.39 Nm	1.18 Nm	35.70	58.0	Same	P220077BB00
90.0:1	60	0.39 Nm	1.18 Nm	35.70	58.0	Same	P220090BB00
110.1:1	60	0.39 Nm	1.18 Nm	35.70	58.0	Same	P220110BB00
136.0:1	60	0.39 Nm	1.18 Nm	35.70	58.0	Same	P220136BB00
246.1:1	50	0.49 Nm	1.47 Nm	41.90	65.0	Same	P220246BB00

Radial Load Rating ≤ 11.8 N
 Radial Load Distance 10 mm
 Axial Load ≤ 6.9 N
 Press Fit Force - Max ≤ 58.8 N

Radial Play ≤ 0.04 mm
 Thrust Play ≤ 0.30 mm
 Backlash ≤ 2.5 °

Max Temperature - 60°C
 Min Temperature - -10°C
 Relative Humidity - 20% to 80%

Bearing Type Ball

Options

Lubrication. Bearings. Coreless and Iron Core Motors. Motors with encoders. Wiring harness. Connectors.

* Rotational Sense of Gearbox Output Shaft to Motor Shaft

Global Motion Products

Distributed by:

Precision Motion Distributors: (925) 803-9565

Technical Support: (760) 451-2723

http://www.gmpwebsite.com Email: info@gmpwebsite.com

A - January 2011

Specifications Subject to change without notice

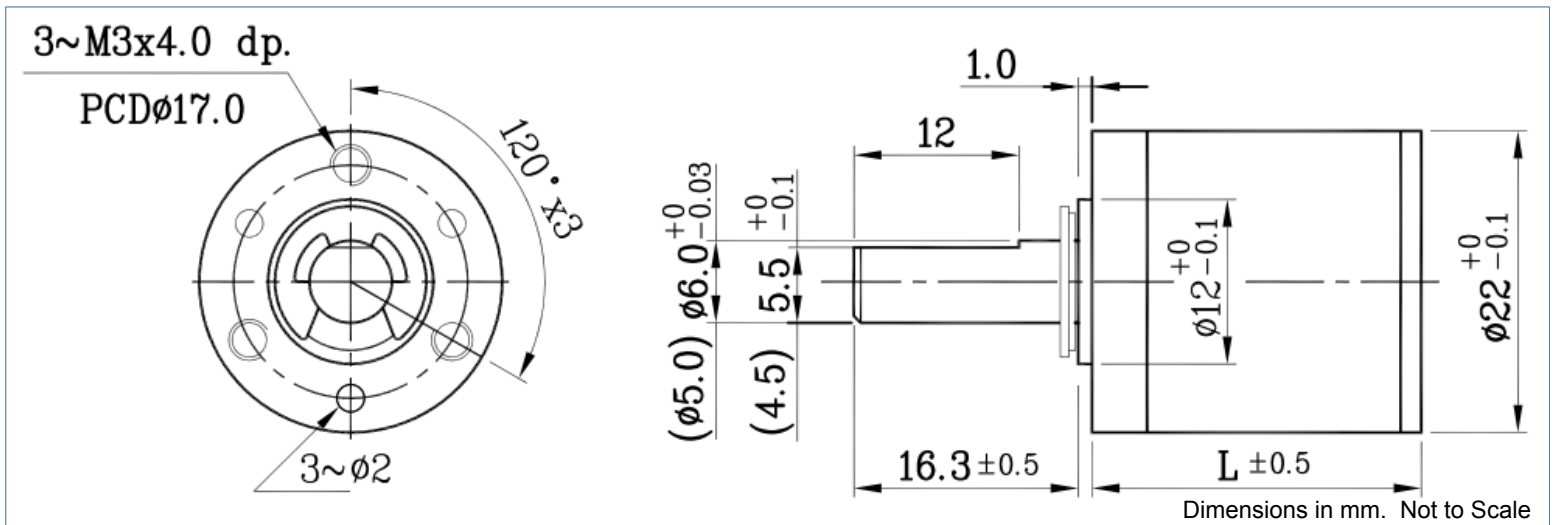
RoHS Compliant

Planetary Gearbox - 22 mm Ø



Global Motion Products

P22 •••• BB00



Ratio	Efficiency %	Continuous Torque Nm	Momentary Torque Nm	Length L mm	Mass grams	Direction of Rotation*	Order Part Number
336.0:1	50	0.49 Nm	1.47 Nm	41.90	65.0	Same	P220336BB00
393.1:1	50	0.49 Nm	1.47 Nm	41.90	65.0	Same	P220393BB00
484.0:1	50	0.49 Nm	1.47 Nm	41.90	65.0	Same	P220484BB00
597.1:1	50	0.49 Nm	1.47 Nm	41.90	65.0	Same	P220597BB00
735.0:1	50	0.49 Nm	1.47 Nm	41.90	65.0	Same	P220735BB00
1,079.0:1	40	0.59 Nm	1.77 Nm	48.10	72.0	Same	P221079BB00
1,475.0:1	40	0.59 Nm	1.77 Nm	48.10	72.0	Same	P221475BB00
2,124.0:1	40	0.59 Nm	1.77 Nm	48.10	72.0	Same	P222124BB00
3,968.0:1	40	0.59 Nm	1.77 Nm	48.10	72.0	Same	P223968BB00

Radial Load Rating ≤ 11.8 N
 Radial Load Distance 10 mm
 Axial Load ≤ 6.9 N
 Press Fit Force - Max ≤ 58.8 N

Radial Play ≤ 0.04 mm
 Thrust Play ≤ 0.30 mm
 Backlash ≤ 2.5 °

Max Temperature - 60°C
 Min Temperature - -10°C
 Relative Humidity - 20% to 80%

Bearing Type Ball

Options

Lubrication. Bearings. Coreless and Iron Core Motors. Motors with encoders. Wiring harness. Connectors.

* Rotational Sense of Gearbox Output Shaft to Motor Shaft

Global Motion Products

Distributed by:

Precision Motion Distributors: (925) 803-9565

Technical Support: (760) 451-2723

http://www.gmpwebsite.com Email: info@gmpwebsite.com

A - January 2011

Specifications Subject to change without notice

RoHS Compliant