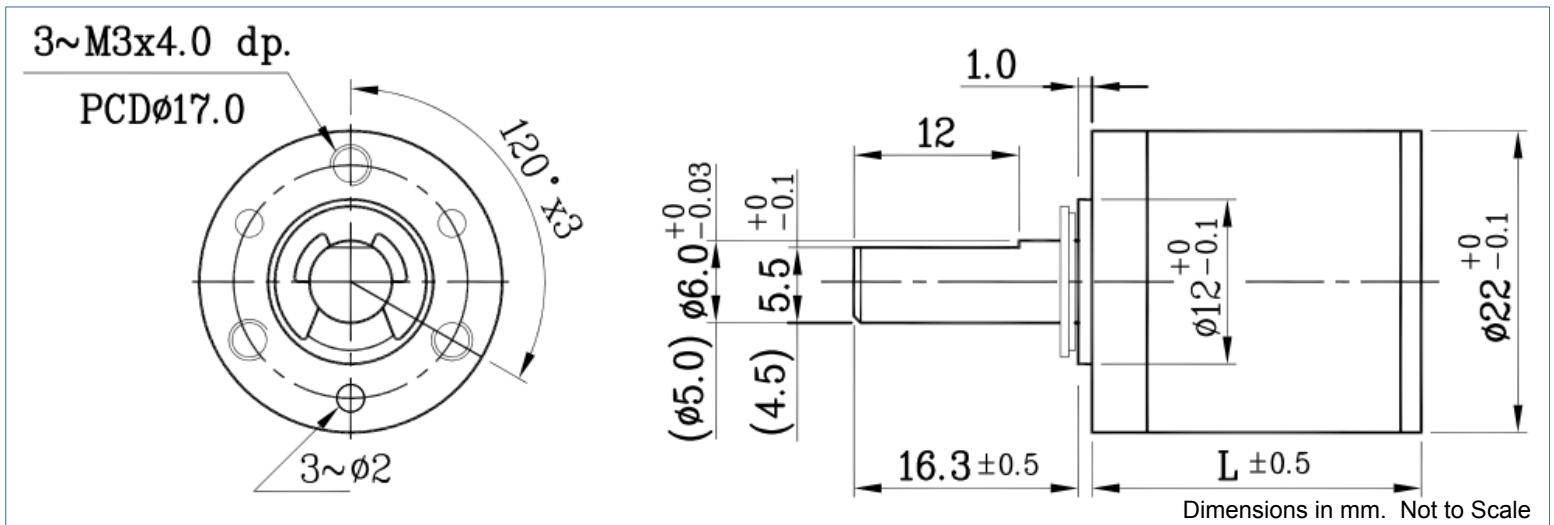


Planetary Gearbox - 22 mm Ø



Global Motion Products

P22 •••• BS00



Ratio	Efficiency %	Continuous Torque Nm	Momentary Torque Nm	Length L mm	Mass grams	Direction of Rotation*	Order Part Number
4.7:1	50	0.20 Nm	0.59 Nm	23.30	46.0	Same	P220004BS00
18.0:1	70	0.29 Nm	0.88 Nm	29.50	51.0	Same	P220018BS00
20.1:1	70	0.29 Nm	0.88 Nm	29.50	51.0	Same	P220020BS00
25.0:1	70	0.29 Nm	0.88 Nm	29.50	51.0	Same	P220025BS00
66.1:1	60	0.39 Nm	1.18 Nm	35.70	58.0	Same	P220066BS00
77.1:1	60	0.39 Nm	1.18 Nm	35.70	58.0	Same	P220077BS00
90.0:1	60	0.39 Nm	1.18 Nm	35.70	58.0	Same	P220090BS00
110.1:1	60	0.39 Nm	1.18 Nm	35.70	58.0	Same	P220110BS00
136.0:1	60	0.39 Nm	1.18 Nm	35.70	65.0	Same	P220136BS00
246.1:1	50	0.49 Nm	1.47 Nm	41.90	65.0	Same	P220246BS00

Radial Load Rating ≤ 9.8 N
 Radial Load Distance 10 mm
 Axial Load ≤ 6.9 N
 Press Fit Force - Max ≤ 58.8 N

Radial Play ≤ 0.08 mm
 Thrust Play ≤ 0.30 mm
 Backlash ≤ 2.5 °

Max Temperature - 60°C
 Min Temperature - -10°C
 Relative Humidity - 20% to 80%

Bearing Type Sleeve

Options

Lubrication. Bearings. Coreless and Iron Core Motors. Motors with encoders. Wiring harness. Connectors.

* Rotational Sense of Gearbox Output Shaft to Motor Shaft

Global Motion Products

Distributed by:

Precision Motion Distributors: (925) 803-9565

Technical Support: (760) 451-2723

http://www.gmpwebsite.com Email: info@gmpwebsite.com

A - January 2011

Specifications Subject to change without notice

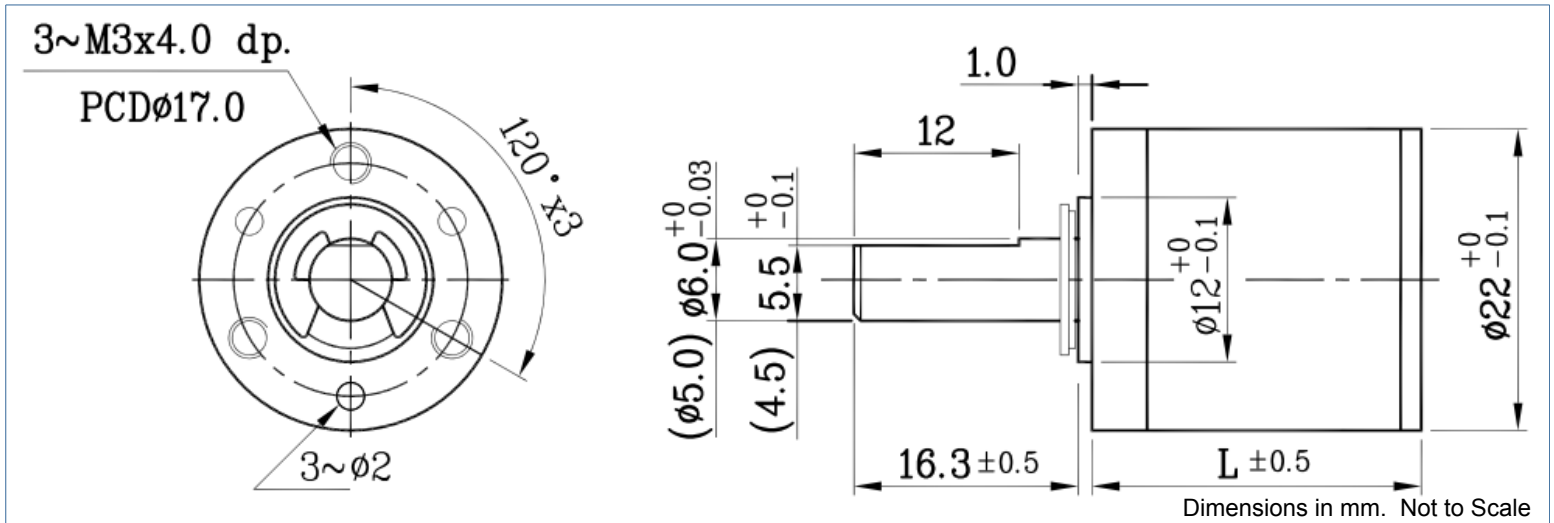
RoHS Compliant

Planetary Gearbox - 22 mm Ø



Global Motion Products

P22 •••• BS00



Ratio	Efficiency %	Continuous Torque Nm	Momentary Torque Nm	Length L mm	Mass grams	Direction of Rotation*	Order Part Number
336.0:1	50	0.49 Nm	1.47 Nm	41.90	65.0	Same	P220336BS00
393.1:1	50	0.49 Nm	1.47 Nm	41.90	65.0	Same	P220393BS00
484.0:1	50	0.49 Nm	1.47 Nm	41.90	65.0	Same	P220484BS00
597.1:1	50	0.49 Nm	1.47 Nm	41.90	65.0	Same	P220597BS00
735.0:1	50	0.49 Nm	1.47 Nm	41.90	65.0	Same	P220735BS00
1,079.0:1	40	0.59 Nm	1.77 Nm	48.10	72.0	Same	P221079BS00
1,475.0:1	40	0.59 Nm	1.77 Nm	48.10	72.0	Same	P221475BS00
2,124.0:1	40	0.59 Nm	1.77 Nm	48.10	72.0	Same	P222124BS00
3,968.0:1	40	0.59 Nm	1.77 Nm	48.10	72.0	Same	P223968BS00

Radial Load Rating ≤ 9.8 N
 Radial Load Distance 10 mm
 Axial Load ≤ 6.9 N
 Press Fit Force - Max ≤ 58.8 N

Radial Play ≤ 0.08 mm
 Thrust Play ≤ 0.30 mm
 Backlash ≤ 2.5 °

Max Temperature - 60°C
 Min Temperature - -10°C
 Relative Humidity - 20% to 80%

Bearing Type Sleeve

Options

Lubrication. Bearings. Coreless and Iron Core Motors. Motors with encoders. Wiring harness. Connectors.

* Rotational Sense of Gearbox Output Shaft to Motor Shaft

Global Motion Products
 Distributed by:
Precision Motion Distributors: (925) 803-9565
Technical Support: (760) 451-2723
<http://www.gmpwebsite.com> Email: info@gmpwebsite.com

RoHS Compliant