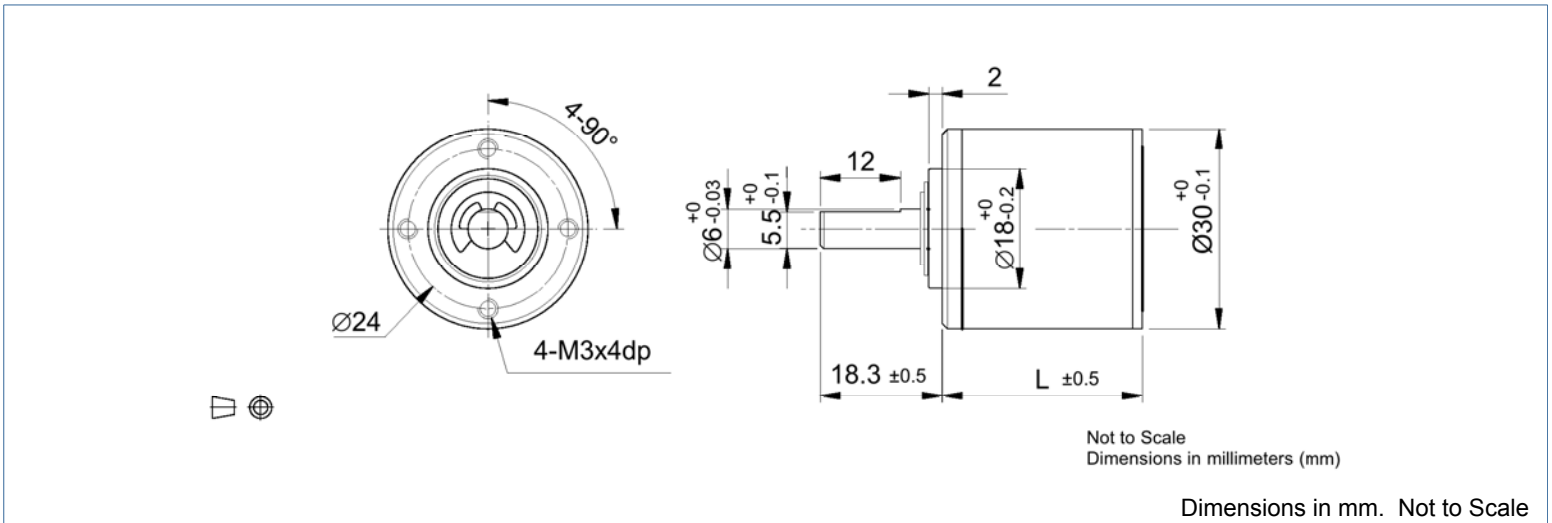


Planetary Gearbox - 30 mm Ø

P30 •••• AS00



Global Motion Products



Ratio	Efficiency %	Continuous Torque Nm	Momentary Torque Nm	Length L mm	Mass grams	Direction of Rotation*	Order Part Number
5.0:1	80	0.20 Nm	0.59 Nm	23.60	102.0	Same	P300005AS00
14.0:1	70	0.29 Nm	0.88 Nm	30.00	122.0	Same	P300014AS00
19.0:1	70	0.29 Nm	0.88 Nm	30.00	122.0	Same	P300019AS00
27.0:1	70	0.39 Nm	1.18 Nm	30.00	147.0	Same	P300027AS00
35.0:1	70	0.39 Nm	1.18 Nm	30.00	147.0	Same	P300027AS00
51.0:1	60	0.59 Nm	1.77 Nm	36.40	147.0	Same	P300051AS00
71.0:1	60	0.59 Nm	1.77 Nm	36.40	147.0	Same	P300071AS00
100.0:1	60	0.78 Nm	2.35 Nm	36.40	147.0	Same	P300100AS00
139.0:1	60	0.78 Nm	2.35 Nm	36.40	147.0	Same	P300139AS00
189.0:1	50	0.98 Nm	2.94 Nm	42.80	173.0	Same	P300189AS00

Radial Load Rating	≤ 29.4 N	Radial Play	≤ 0.05 mm	Max Temperature -	60°C
Radial Load Distance	10 mm	Thrust Play	≤ 0.30 mm	Min Temperature -	-10°C
Axial Load	≤ 24.5 N	Backlash	≤ 2.5 °	Relative Humidity -	20% to 80%
Press Fit Force - Max	≤ 98.1 N				
Bearing Type	Sleeve	Options		Lubrication. Bearings. Coreless and Iron Core Motors. Motors with encoders. Wiring harness. Connectors.	

* Rotational Sense of Gearbox Output Shaft to Motor Shaft

Global Motion Products
 Distributed by:
 Precision Motion Distributors: (925) 803-9565
 Technical Support: (760) 451-2723
<http://www.gmpwebsite.com> Email: info@gmpwebsite.com

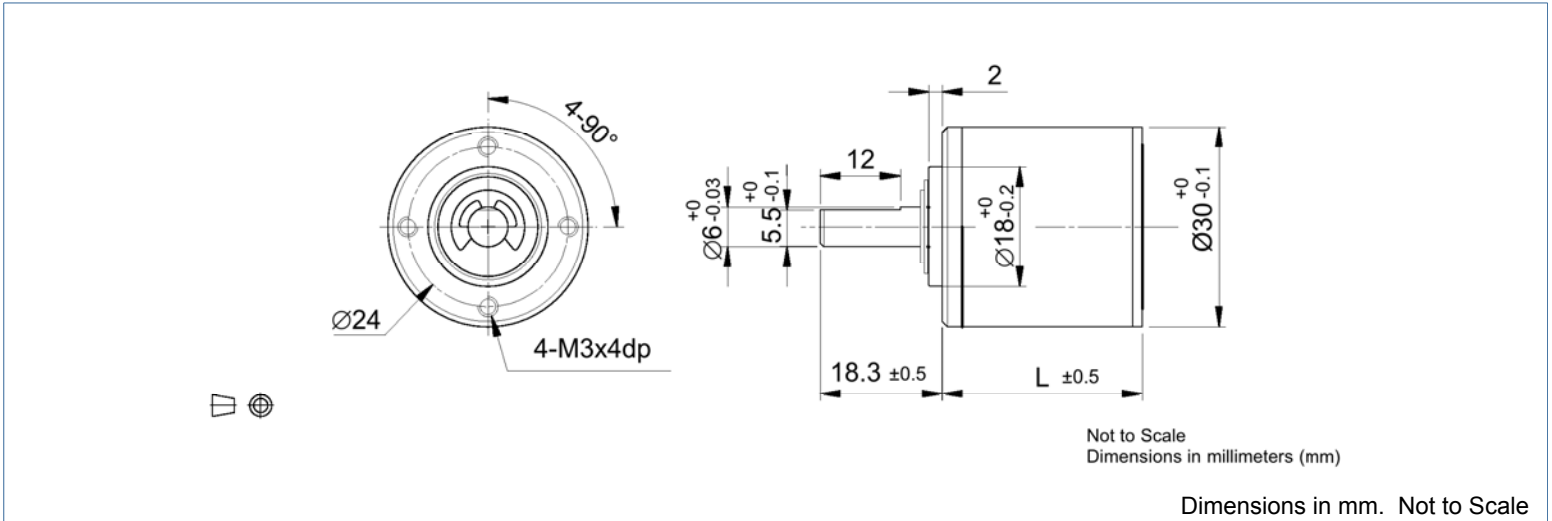
RoHS Compliant

Planetary Gearbox - 30 mm Ø

P30 •••• AS00



Global Motion Products



Ratio	Efficiency %	Continuous Torque Nm	Momentary Torque Nm	Length L mm	Mass grams	Direction of Rotation*	Order Part Number
264.0:1	50	0.98 Nm	2.94 Nm	42.80	173.0	Same	P300264AS00
516.0:1	50	0.98 Nm	2.94 Nm	42.80	173.0	Same	P300516AS00
721.0:1	50	0.98 Nm	2.94 Nm	42.80	173.0	Same	P300721AS00
939.0:1	50	0.98 Nm	2.94 Nm	42.80	173.0	Same	P300721AS00

Radial Load Rating	≤ 29.4 N	Radial Play	≤ 0.05 mm	Max Temperature -	60°C
Radial Load Distance	10 mm	Thrust Play	≤ 0.30 mm	Min Temperature -	-10°C
Axial Load	≤ 24.5 N	Backlash	≤ 2.5 °	Relative Humidity -	20% to 80%
Press Fit Force - Max	≤ 98.1 N				
Bearing Type	Sleeve	Options		Lubrication. Bearings. Coreless and Iron Core Motors. Motors with encoders. Wiring harness. Connectors.	

* Rotational Sense of Gearbox Output Shaft to Motor Shaft

Global Motion Products
 Distributed by:
 Precision Motion Distributors: (925) 803-9565
 Technical Support: (760) 451-2723
<http://www.gmpwebsite.com> Email: info@gmpwebsite.com

RoHS Compliant