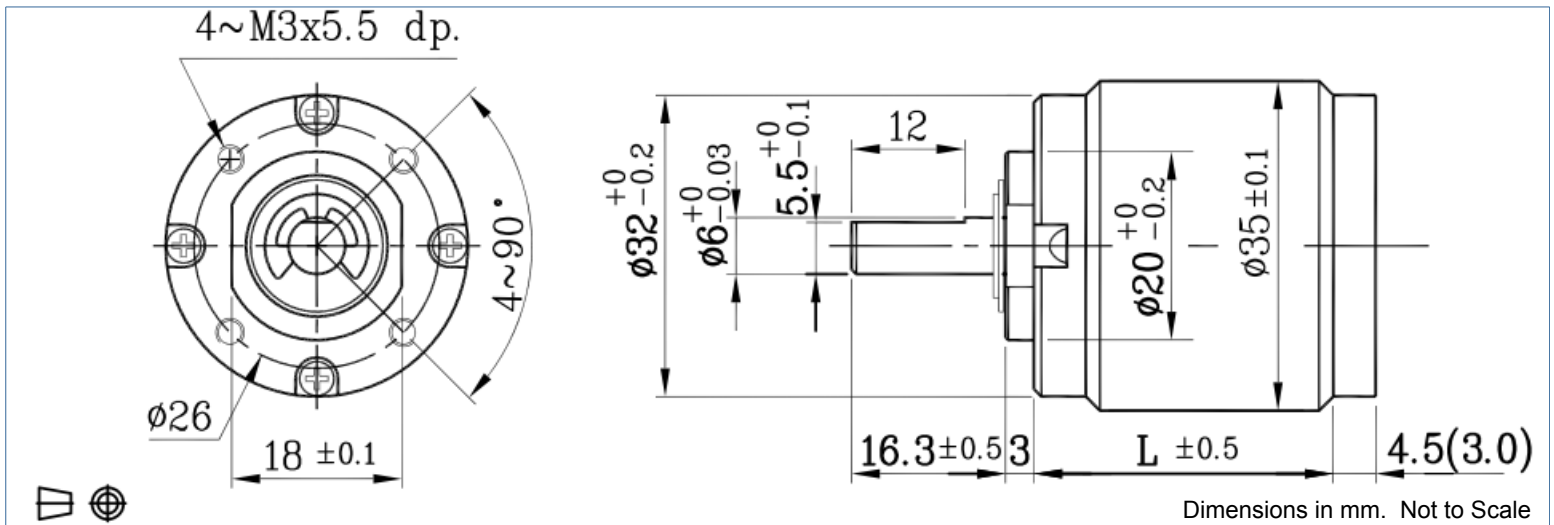


# Planetary Gearbox - 35 mm Ø



Global Motion Products

P35 •••• AS00



Ratio	Efficiency %	Continuous Torque Nm	Momentary Torque Nm	Length L mm	Mass grams	Direction of Rotation*	Order Part Number
3.7:1	80	0.20 Nm	0.59 Nm	22.10		Same	P350004AS00
5.2:1	80	0.20 Nm	0.59 Nm	22.10		Same	P350005AS00
14.0:1	70	0.39 Nm	1.18 Nm	28.50		Same	P350014AS00
19.0:1	70	0.39 Nm	1.18 Nm	28.50		Same	P350019AS00
27.0:1	70	0.59 Nm	1.77 Nm	28.50		Same	P350027AS00
51.0:1	70	0.78 Nm	2.35 Nm	34.90		Same	P350051AS00
71.0:1	60	0.78 Nm	2.35 Nm	34.90		Same	P350071AS00
100.0:1	60	0.98 Nm	2.94 Nm	34.90		Same	P350100AS00
139.0:1	60	0.98 Nm	2.94 Nm	34.90		Same	P350139AS00
189.0:1	50	1.18 Nm	3.53 Nm	41.30		Same	P350189AS00

Radial Load Rating ≤ 29.4 N  
 Radial Load Distance 10 mm  
 Axial Load ≤ 24.5 N  
 Press Fit Force - Max ≤ 98.1 N

Radial Play ≤ 0.05 mm  
 Thrust Play ≤ 0.30 mm  
 Backlash ≤ 2.5 °

Max Temperature - 60°C  
 Min Temperature - -10°C  
 Relative Humidity - 20% to 80%

Bearing Type Sleeve

Options

Lubrication. Bearings. Coreless and Iron Core Motors. Motors with encoders. Wiring harness. Connectors.

\* Rotational Sense of Gearbox Output Shaft to Motor Shaft

Global Motion Products

Distributed by:

Precision Motion Distributors: (925) 803-9565

Technical Support: (760) 451-2723

http://www.gmpwebsite.com Email: info@gmpwebsite.com

A - January 2011

Specifications Subject to change without notice

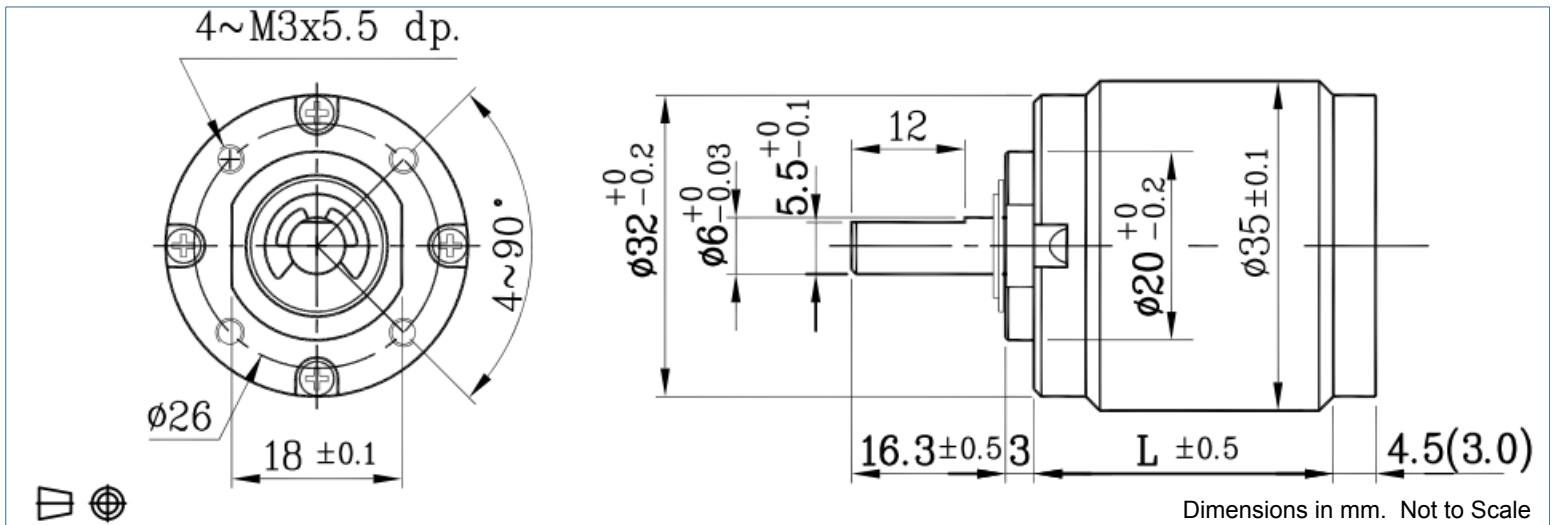
RoHS Compliant

# Planetary Gearbox - 35 mm Ø



Global Motion Products

P35 •••• AS00



Dimensions in mm. Not to Scale

Ratio	Efficiency %	Continuous Torque Nm	Momentary Torque Nm	Length L mm	Mass grams	Direction of Rotation*	Order Part Number
264.0:1	50	1.18 Nm	3.53 Nm	41.30		Same	P350264AS00
516.0:1	50	1.18 Nm	3.53 Nm	41.30		Same	P350516AS00
721.0:1	50	1.18 Nm	3.53 Nm	41.30		Same	P350721AS00

Radial Load Rating ≤ 29.4 N  
 Radial Load Distance 10 mm  
 Axial Load ≤ 24.5 N  
 Press Fit Force - Max ≤ 98.1 N

Radial Play ≤ 0.05 mm  
 Thrust Play ≤ 0.30 mm  
 Backlash ≤ 2.5 °

Max Temperature - 60°C  
 Min Temperature - -10°C  
 Relative Humidity - 20% to 80%

Bearing Type Sleeve

Options

Lubrication. Bearings. Coreless and Iron Core Motors. Motors with encoders. Wiring harness. Connectors.

\* Rotational Sense of Gearbox Output Shaft to Motor Shaft

Global Motion Products

Distributed by:

Precision Motion Distributors: (925) 803-9565

Technical Support: (760) 451-2723

http://www.gmpwebsite.com Email: info@gmpwebsite.com

A - January 2011

Specifications Subject to change without notice

RoHS Compliant