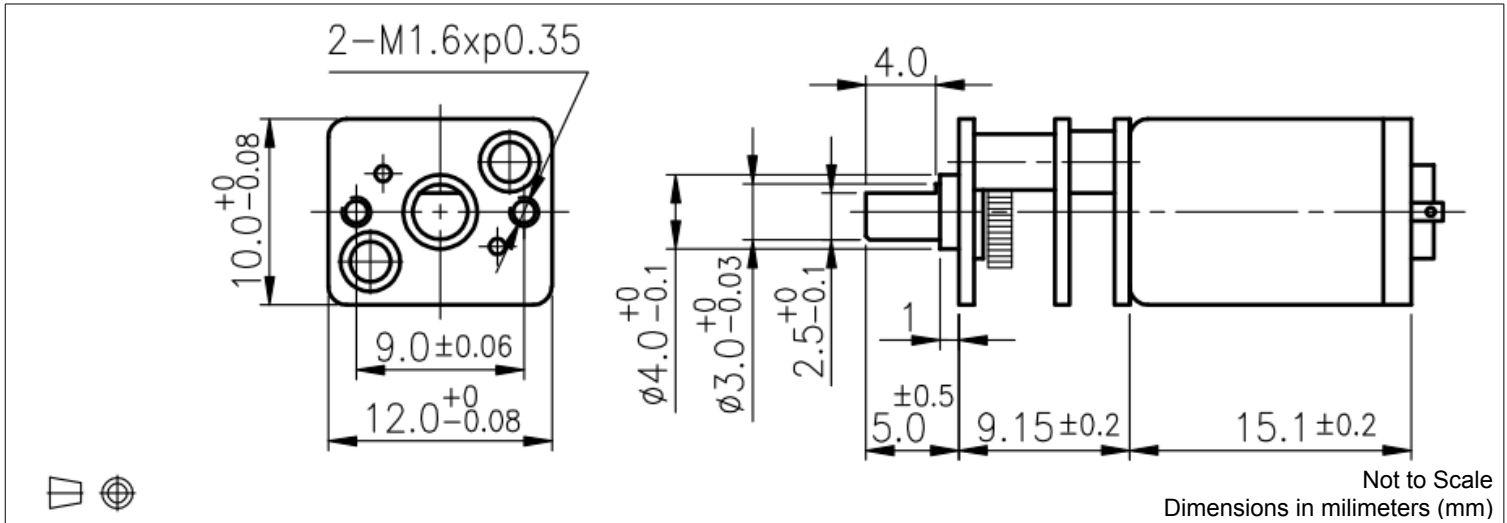


Spur Gearmotor - 10 x 12 mm



Low Cost DC Gearmotor

Global Motion Products



Ratio	Voltage Volts	Gearbox Efficiency %	No Load Speed rpm	Gearmotor No Load Current A	Stall Torque mNm	Continuous Torque mNm	Length L mm	Gearmotor Mass grams	Direction of Rotation*	Order Part Number
10.0:1	3.0	81 %	1,536 rpm	0.120 Amp	12 mNm	3 mNm	9.2 mm	9.5 grams	Same	S120010AM00
19.2:1	3.0	73 %	796 rpm	0.120 Amp	20 mNm	5 mNm	9.2 mm	9.5 grams	Opposite	S120019AM00
29.1:1	3.0	73 %	526 rpm	0.120 Amp	31 mNm	8 mNm	9.2 mm	9.5 grams	Opposite	S120029AM00
59.7:1	3.0	66 %	256 rpm	0.120 Amp	57 mNm	15 mNm	9.2 mm	9.5 grams	Same	S120060AM00
75.7:1	3.0	66 %	202 rpm	0.120 Amp	72 mNm	20 mNm	9.2 mm	9.5 grams	Same	S120076AM00
101.9:1	3.0	66 %	150 rpm	0.120 Amp	98 mNm	26 mNm	9.2 mm	9.5 grams	Same	S120102AM00
134.5:1	3.0	59 %	114 rpm	0.120 Amp	115 mNm	29 mNm	9.2 mm	9.5 grams	Opposite	S120134AM00
196.6:1	3.0	59 %	78 rpm	0.120 Amp	168 mNm	45 mNm	9.2 mm	9.5 grams	Opposite	S120197AM00
234.8:1	3.0	59 %	65 rpm	0.120 Amp	201 mNm	52 mNm	9.2 mm	9.5 grams	Opposite	S120235AM00
297.9:1	3.0	59 %	51 rpm	0.120 Amp	255 mNm	69 mNm	9.2 mm	9.5 grams	Opposite	S120298AM00

Radial Load Rating ≤ 78.5 N
 Radial Load Distance 10 mm
 Axial Load ≤ 29.4 N
 Press Fit Force - Max ≤ 147.1 N

Radial Play ≤ 0.05 mm
 Axial Play ≤ 0.30 mm
 Backlash ≤ 3.0 °

Max Temperature Oper. 60°C
 Min Temperature Oper. -10°C
 Relative Humidity Oper. 20% to 85%

CAUTION:
 Stall Torque is a theoretical calculation- NOT a rating or maximum value. Continuous Torque is the lesser of the Gearbox Continuous Torque Rating or the Motor's Continuous Torque Rating at gearbox output shaft.

Options
 Bearing
 Sleeve
 Motor windings, motor lengths. Wire leads and connectors. Gearbox output shaft length.

* Rotational Sense of Gearbox Output Shaft to Motor Shaft

Global Motion Products
 Distributed by:
 Precision Motion Distributors: (925) 803-9565
 Technical Support: (760) 451-2723
<http://www.gmpwebsite.com> Email: info@gmpwebsite.com

Commutation Type:
 Precious Metal

RoHS Compliant

B - March 2011

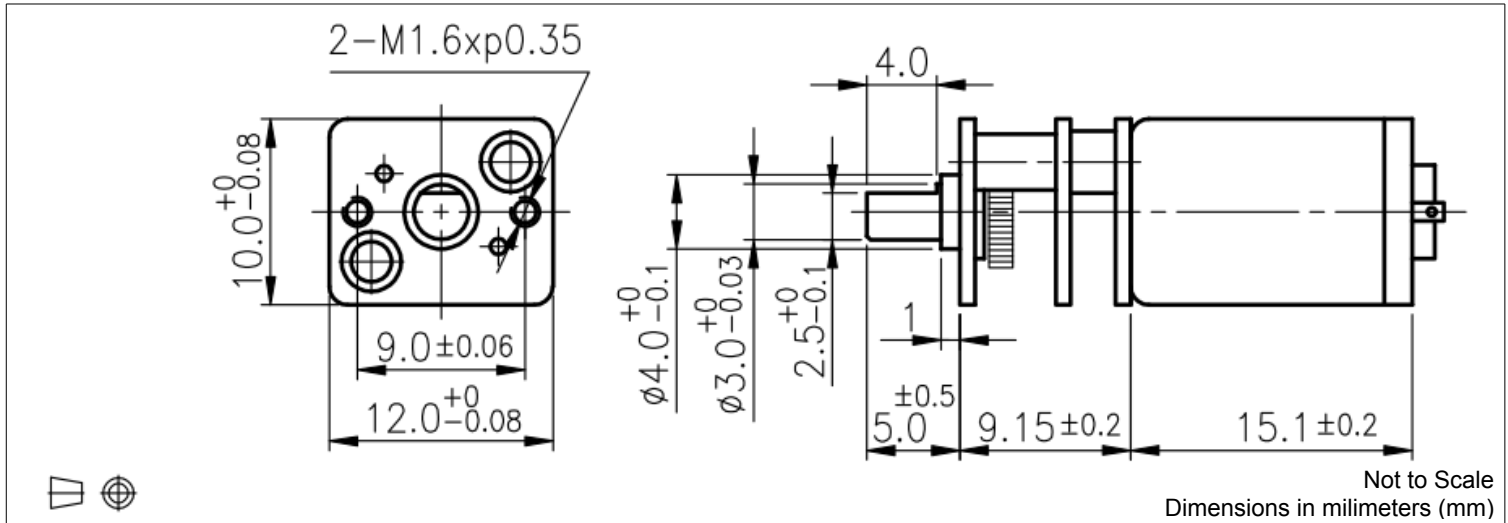
Specifications Subject to change without notice

Spur Gearmotor - 10 x 12 mm



Low Cost DC Gearmotor

Global Motion Products



Ratio	Voltage Volts	Gearbox Efficiency %	No Load Speed rpm	Gearmotor No Load Current A	Stall Torque mNm	Continuous Torque mNm	Length L mm	Gearmotor Mass grams	Direction of Rotation*	Order Part Number
10.0:1	6.0	81 %	1,750 rpm	0.050 Amp	11 mNm	3 mNm	9.2 mm	9.5 grams	Same	S120010AM10
19.2:1	6.0	73 %	907 rpm	0.050 Amp	19 mNm	5 mNm	9.2 mm	9.5 grams	Opposite	S120019AM10
29.1:1	6.0	73 %	599 rpm	0.050 Amp	29 mNm	8 mNm	9.2 mm	9.5 grams	Opposite	S120029AM10
59.7:1	6.0	66 %	292 rpm	0.050 Amp	54 mNm	15 mNm	9.2 mm	9.5 grams	Same	S120060AM10
75.7:1	6.0	66 %	230 rpm	0.050 Amp	68 mNm	20 mNm	9.2 mm	9.5 grams	Same	S120076AM10
101.9:1	6.0	66 %	171 rpm	0.050 Amp	92 mNm	26 mNm	9.2 mm	9.5 grams	Same	S120102AM10
134.5:1	6.0	59 %	130 rpm	0.050 Amp	108 mNm	29 mNm	9.2 mm	9.5 grams	Opposite	S120134AM10
196.6:1	6.0	59 %	89 rpm	0.050 Amp	158 mNm	45 mNm	9.2 mm	9.5 grams	Opposite	S120197AM10
234.8:1	6.0	59 %	74 rpm	0.050 Amp	189 mNm	52 mNm	9.2 mm	9.5 grams	Opposite	S120235AM10
297.9:1	6.0	59 %	59 rpm	0.050 Amp	240 mNm	69 mNm	9.2 mm	9.5 grams	Opposite	S120298AM10

Radial Load Rating ≤ 78.5 N
 Radial Load Distance 10 mm
 Axial Load ≤ 29.4 N
 Press Fit Force - Max ≤ 147.1 N

Radial Play ≤ 0.05 mm
 Axial Play ≤ 0.30 mm
 Backlash ≤ 3.0 °

Max Temperature Oper. 60°C
 Min Temperature Oper. -10°C
 Relative Humidity Oper. 20% to 85%

CAUTION:

Stall Torque is a theoretical calculation- NOT a rating or maximum value. Continuous Torque is the lesser of the Gearbox Continuous Torque Rating or the Motor's Continuous Torque Rating at gearbox output shaft.

Options

Bearing
 Sleeve
 Motor windings, motor lengths. Wire leads and connectors. Gearbox output shaft length.

* Rotational Sense of Gearbox Output Shaft to Motor Shaft

Global Motion Products
 Distributed by:
 Precision Motion Distributors: (925) 803-9565
 Technical Support: (760) 451-2723
<http://www.gmpwebsite.com> Email: info@gmpwebsite.com

Commutation Type:
 Precious Metal

RoHS Compliant

B - March 2011

Specifications Subject to change without notice