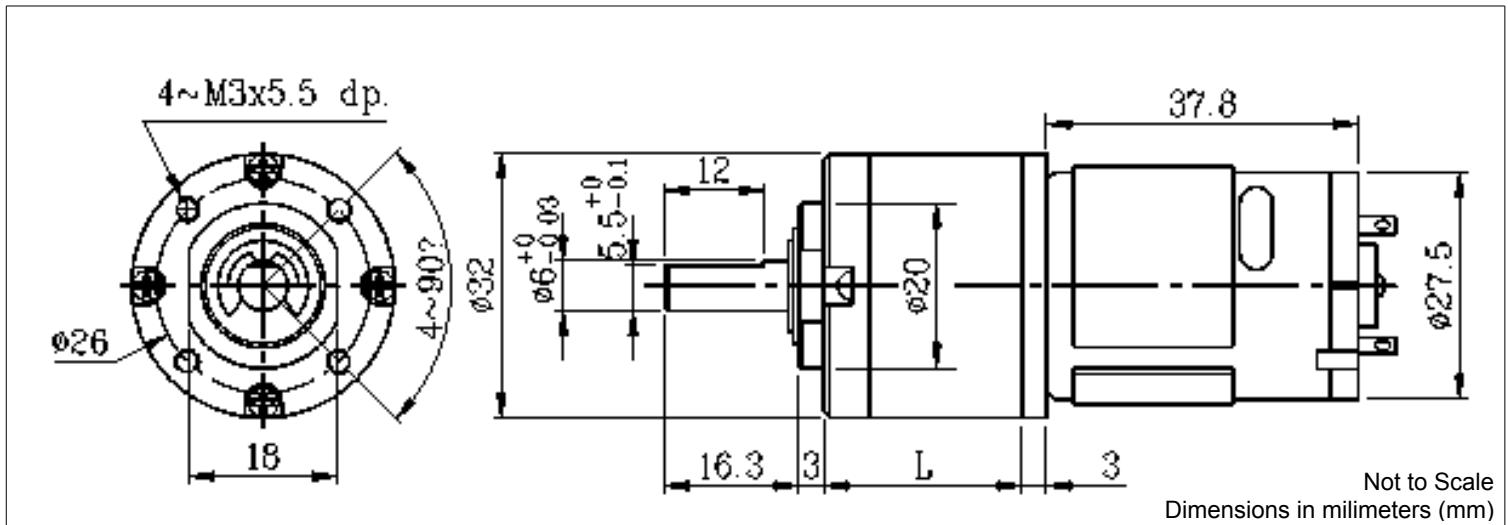


Planetary Gearmotor - 32 mm Ø

12 Volts - 4 Watts - Reduced Length - Sleeve



Global Motion Products



Ratio	Voltage Volts	Gearbox Efficiency %	No Load Speed rpm	Gearmotor No Load Current A	Stall Torque mNm	Continuous Torque mNm	Length L mm	Gearmotor Mass grams	Direction of Rotation*	Order Part Number
3.7:1	12.0	80 %	1,686 rpm	0.225 Amp	90 mNm	20 mNm	20.6 mm	212.0	Same	A320004GM40
5.2:1	12.0	80 %	1,206 rpm	0.225 Amp	126 mNm	29 mNm	20.6 mm	212.0	Same	A320005GM40
13.7:1	12.0	70 %	455 rpm	0.225 Amp	293 mNm	74 mNm	27.0 mm	232.0	Same	A320014GM40
19.2:1	12.0	70 %	325 rpm	0.225 Amp	410 mNm	98 mNm	27.0 mm	232.0	Same	A320019GM40
26.9:1	12.0	70 %	233 rpm	0.225 Amp	573 mNm	137 mNm	27.0 mm	232.0	Same	A320027GM40
35.0:1	12.0	70 %	179 rpm	0.225 Amp	746 mNm	186 mNm	27.0 mm	232.0	Same	A320035GM40
50.9:1	12.0	60 %	123 rpm	0.225 Amp	930 mNm	226 mNm	33.4 mm	257.0	Same	A320051GM40
71.2:1	12.0	60 %	88 rpm	0.225 Amp	1,301 mNm	324 mNm	33.4 mm	257.0	Same	A320071GM40
99.5:1	12.0	60 %	63 rpm	0.225 Amp	1,819 mNm	451 mNm	33.4 mm	257.0	Same	A320100GM40
139.1:1	12.0	60 %	45 rpm	0.225 Amp	2,543 mNm	637 mNm	33.4 mm	257.0	Same	A320139GM40
188.6:1	12.0	50 %	33 rpm	0.225 Amp	2,873 mNm	716 mNm	39.8 mm	283.0	Same	A320189GM40
263.7:1	12.0	50 %	24 rpm	0.225 Amp	4,017 mNm	981 mNm	39.8 mm	283.0	Same	A320264GM40

Radial Load Rating ≤ 29.4 N
 Radial Load Distance 10 mm
 Axial Load ≤ 24.5 N
 Press Fit Force - Max ≤ 98.1 N

Radial Play ≤ 0.05 mm
 Axial Play ≤ 0.30 mm
 Backlash ≤ 2.5 °

Max Temperature Oper. 60°C
 Min Temperature Oper. -10°C
 Relative Humidity Oper. 20% to 85%

CAUTION. Stall Torque is a theoretical calculation- NOT a rating/maximum value. Continuous Torque is the lesser of the Gearbox Continuous Torque Rating or the Motor's Continuous Torque Rating at gearbox output shaft.

Options
 Magnetic Encoders. Leads. Connectors. Pinion/Gear Mounting. Lubricants. Motor Windings. Gear material. Coreless Motors. Bearings.

* Rotational Sense of Gearbox Output Shaft to Motor Shaft

Global Motion Products
 Distributed by:
 Precision Motion Distributors: (925) 803-9565
 Technical Support: (760) 451-2723
<http://www.gmpwebsite.com> Email: info@gmpwebsite.com

Commutation Type:
 Metal Graphite

RoHS Compliant

A - May 2011

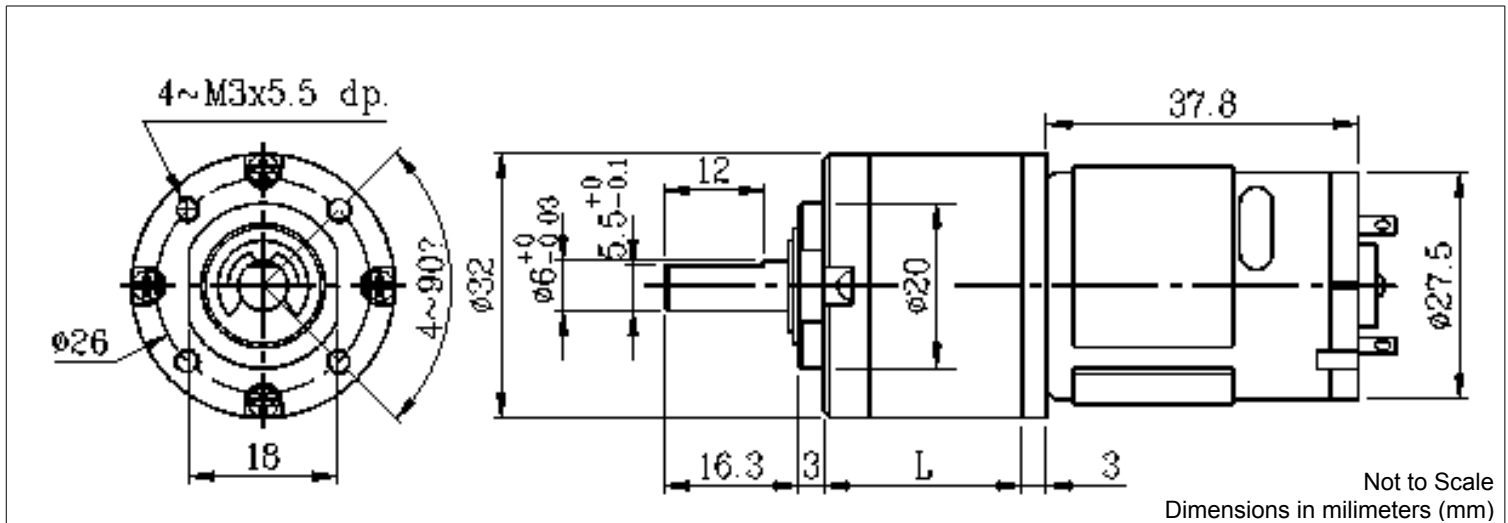
Specifications Subject to change without notice

Planetary Gearmotor - 32 mm Ø

12 Volts - 4 Watts - Reduced Length - Sleeve



Global Motion Products



Ratio	Voltage Volts	Gearbox Efficiency %	No Load Speed rpm	Gearmotor No Load Current A	Stall Torque mNm	Continuous Torque mNm	Length L mm	Gearmotor Mass grams	Direction of Rotation*	Order Part Number
515.6:1	12.0	50 %	12 rpm	0.225 Amp	7,855 mNm	1,177 mNm	39.8 mm	283.0	Same	A320516GM40
721.0:1	12.0	50 %	9 rpm	0.225 Amp	10,983 mNm	1,177 mNm	39.8 mm	283.0	Same	A320721GM40
939.2:1	12.0	50 %	7 rpm	0.225 Amp	14,307 mNm	1,177 mNm	39.8 mm	283.0	Same	A320939GM40

Radial Load Rating	≤ 29.4 N	Radial Play	≤ 0.05 mm	Max Temperature Oper.	60°C
Radial Load Distance	10 mm	Axial Play	≤ 0.30 mm	Min Temperature Oper.	-10°C
Axial Load	≤ 24.5 N	Backlash	≤ 2.5 °	Relative Humidity Oper.	20% to 85%
Press Fit Force - Max	≤ 98.1 N	Options	Bearing	Sleeve	

CAUTION. Stall Torque is a theoretical calculation- NOT a rating/maximum value. Continuous Torque is the lesser of the Gearbox Continuous Torque Rating or the Motor's Continuous Torque Rating at gearbox output shaft.

Magnetic Encoders. Leads. Connectors. Pinion/Gear Mounting. Lubricants. Motor Windings. Gear material. Coreless Motors. Bearings.

* Rotational Sense of Gearbox Output Shaft to Motor Shaft

Global Motion Products
 Distributed by:
 Precision Motion Distributors: (925) 803-9565
 Technical Support: (760) 451-2723
<http://www.gmpwebsite.com> Email: info@gmpwebsite.com

Commutation Type:
 Metal Graphite

RoHS Compliant

A - May 2011

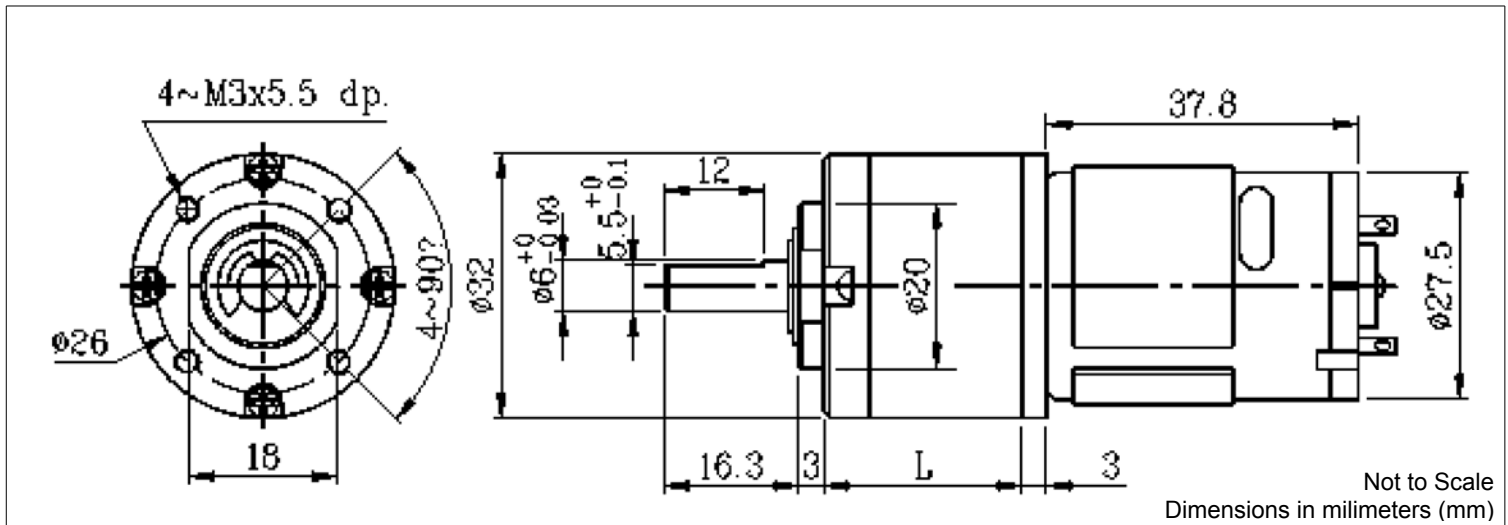
Specifications Subject to change without notice

Planetary Gearmotor - 32 mm Ø



12 Volts - 4 Watts - Reduced Length - Ball

Global Motion Products



Ratio	Voltage Volts	Gearbox Efficiency %	No Load Speed rpm	Gearmotor No Load Current A	Stall Torque mNm	Continuous Torque mNm	Length L mm	Gearmotor Mass grams	Direction of Rotation*	Order Part Number
3.7:1	12.0	80 %	1,686 rpm	0.225 Amp	90 mNm	20 mNm	20.6 mm	211.0	Same	A320004GM45
5.2:1	12.0	80 %	1,206 rpm	0.225 Amp	126 mNm	29 mNm	20.6 mm	211.0	Same	A320005GM45
13.7:1	12.0	70 %	455 rpm	0.225 Amp	293 mNm	74 mNm	27.0 mm	231.0	Same	A320014GM45
19.2:1	12.0	70 %	325 rpm	0.225 Amp	410 mNm	98 mNm	27.0 mm	231.0	Same	A320019GM45
26.9:1	12.0	70 %	233 rpm	0.225 Amp	573 mNm	137 mNm	27.0 mm	231.0	Same	A320027GM45
35.0:1	12.0	70 %	179 rpm	0.225 Amp	746 mNm	186 mNm	27.0 mm	231.0	Same	A320027GM45
50.9:1	12.0	60 %	123 rpm	0.225 Amp	930 mNm	226 mNm	33.4 mm	256.0	Same	A320051GM45
71.2:1	12.0	60 %	88 rpm	0.225 Amp	1,301 mNm	324 mNm	33.4 mm	256.0	Same	A320071GM45
99.5:1	12.0	60 %	63 rpm	0.225 Amp	1,819 mNm	451 mNm	33.4 mm	256.0	Same	A320100GM45
139.1:1	12.0	60 %	45 rpm	0.225 Amp	2,543 mNm	637 mNm	33.4 mm	256.0	Same	A320139GM45
188.6:1	12.0	50 %	33 rpm	0.225 Amp	2,873 mNm	716 mNm	39.8 mm	282.0	Same	A320189GM45
263.7:1	12.0	50 %	24 rpm	0.225 Amp	4,017 mNm	981 mNm	39.8 mm	282.0	Same	A320264GM45

Radial Load Rating ≤ 34.3 N
 Radial Load Distance 10 mm
 Axial Load ≤ 24.5 N
 Press Fit Force - Max ≤ 98.1 N

Radial Play ≤ 0.04 mm
 Axial Play ≤ 0.30 mm
 Backlash ≤ 2.5 °

Max Temperature Oper. 60°C
 Min Temperature Oper. -10°C
 Relative Humidity Oper. 20% to 85%
 Bearing Ball

CAUTION. Stall Torque is a theoretical calculation- NOT a rating/maximum value. Continuous Torque is the lesser of the Gearbox Continuous Torque Rating or the Motor's Continuous Torque Rating at gearbox output shaft.

Options
 Magnetic Encoders. Leads. Connectors. Pinion/Gear Mounting. Lubricants. Motor Windings. Gear material. Coreless Motors. Bearings.

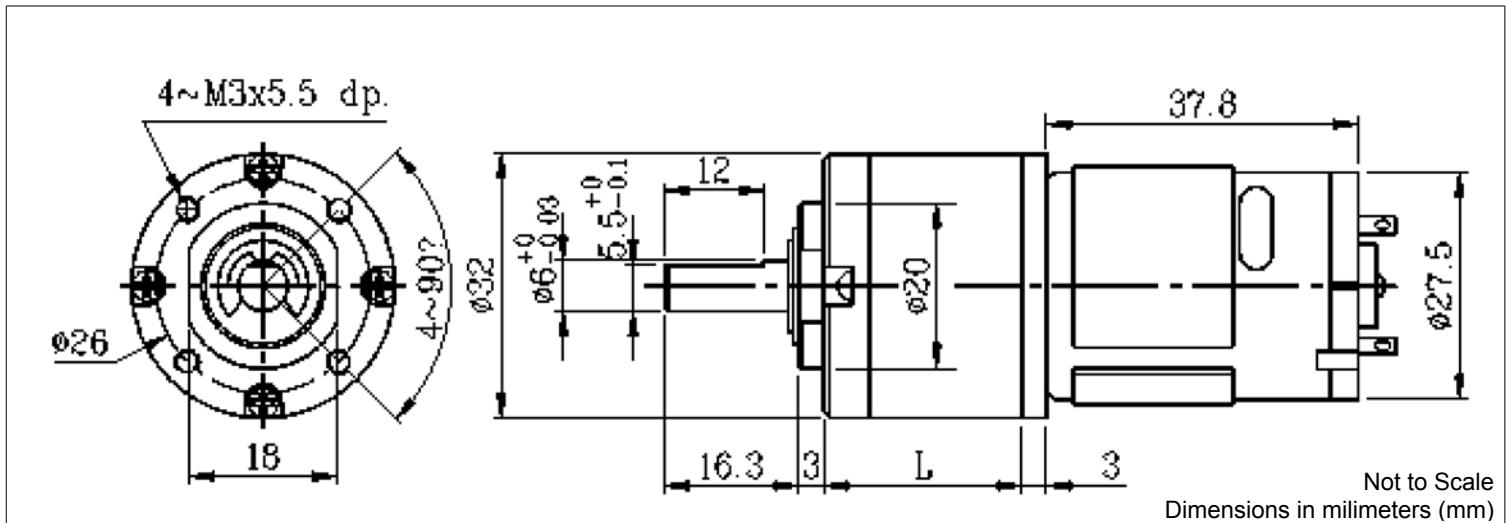
* Rotational Sense of Gearbox Output Shaft to Motor Shaft

Planetary Gearmotor - 32 mm Ø



12 Volts - 4 Watts - Reduced Length - Ball

Global Motion Products



Ratio	Voltage Volts	Gearbox Efficiency %	No Load Speed rpm	Gearmotor No Load Current A	Stall Torque mNm	Continuous Torque mNm	Length L mm	Gearmotor Mass grams	Direction of Rotation*	Order Part Number
515.6:1	12.0	50 %	12 rpm	0.225 Amp	7,855 mNm	1,177 mNm	39.8 mm	282.0	Same	A320516GM45
721.0:1	12.0	50 %	9 rpm	0.225 Amp	10,983 mNm	1,177 mNm	39.8 mm	282.0	Same	A320721GM45
939.2:1	12.0	50 %	7 rpm	0.225 Amp	14,307 mNm	1,177 mNm	39.8 mm	282.0	Same	A320939GM45

Radial Load Rating	≤ 34.3 N	Radial Play	≤ 0.04 mm	Max Temperature Oper.	60°C
Radial Load Distance	10 mm	Axial Play	≤ 0.30 mm	Min Temperature Oper.	-10°C
Axial Load	≤ 24.5 N	Backlash	≤ 2.5 °	Relative Humidity Oper.	20% to 85%
Press Fit Force - Max	≤ 98.1 N	Options	Bearing	Ball	

CAUTION. Stall Torque is a theoretical calculation- NOT a rating/maximum value. Continuous Torque is the lesser of the Gearbox Continuous Torque Rating or the Motor's Continuous Torque Rating at gearbox output shaft.

Magnetic Encoders. Leads. Connectors. Pinion/Gear Mounting. Lubricants. Motor Windings. Gear material. Coreless Motors. Bearings.

* Rotational Sense of Gearbox Output Shaft to Motor Shaft

Global Motion Products
 Distributed by:
 Precision Motion Distributors: (925) 803-9565
 Technical Support: (760) 451-2723
<http://www.gmpwebsite.com> Email: info@gmpwebsite.com

Commutation Type:
 Metal Graphite

RoHS Compliant

A - May 2011

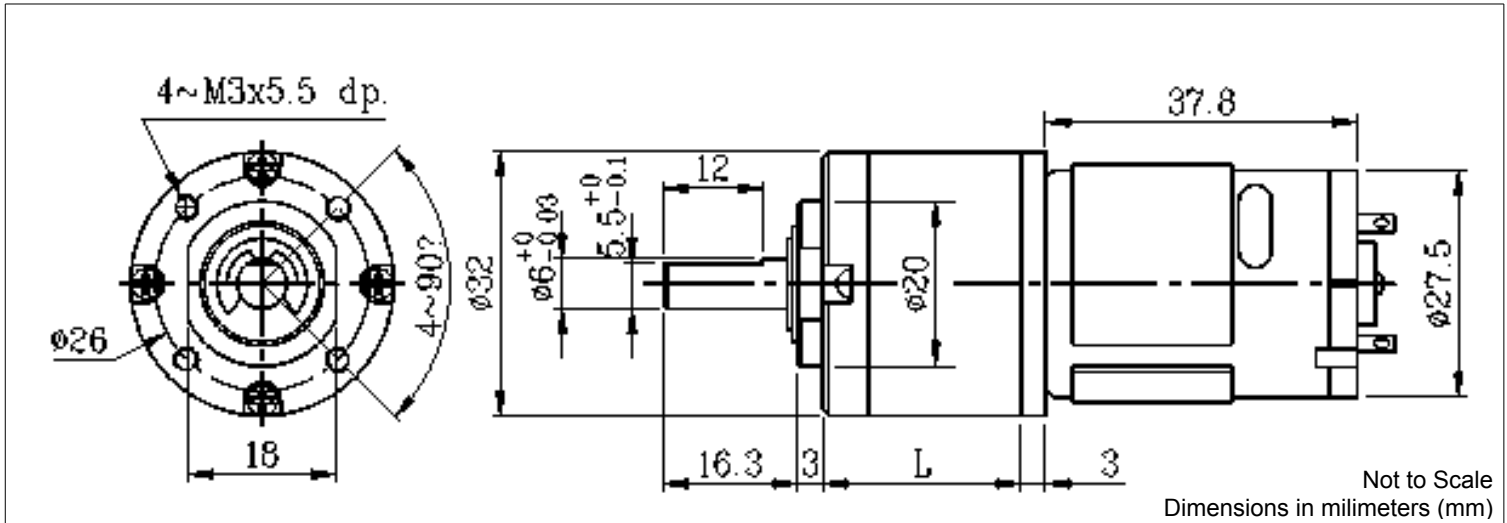
Specifications Subject to change without notice

Planetary Gearmotor - 32 mm Ø



24 Volts - 4 Watts - Reduced Length - Sleeve

Global Motion Products



Ratio	Voltage Volts	Gearbox Efficiency %	No Load Speed rpm	Gearmotor No Load Current A	Stall Torque mNm	Continuous Torque mNm	Length L mm	Gearmotor Mass grams	Direction of Rotation*	Order Part Number
3.7:1	24.0	80 %	1,675 rpm	0.128 Amp	88 mNm	20 mNm	20.6 mm	212.0	Same	A320004GM50
5.2:1	24.0	80 %	1,198 rpm	0.128 Amp	123 mNm	29 mNm	20.6 mm	212.0	Same	A320005GM50
13.7:1	24.0	70 %	452 rpm	0.128 Amp	285 mNm	69 mNm	27.0 mm	232.0	Same	A320014GM50
19.2:1	24.0	70 %	323 rpm	0.128 Amp	399 mNm	98 mNm	27.0 mm	232.0	Same	A320019GM50
26.9:1	24.0	70 %	231 rpm	0.128 Amp	557 mNm	137 mNm	27.0 mm	232.0	Same	A320027GM50
35.0:1	24.0	70 %	177 rpm	0.128 Amp	726 mNm	177 mNm	27.0 mm	232.0	Same	A320035GM50
50.9:1	24.0	60 %	122 rpm	0.128 Amp	905 mNm	216 mNm	33.4 mm	257.0	Same	A320051GM50
71.2:1	24.0	60 %	87 rpm	0.128 Amp	1,266 mNm	304 mNm	33.4 mm	257.0	Same	A320071GM50
99.5:1	24.0	60 %	62 rpm	0.128 Amp	1,770 mNm	431 mNm	33.4 mm	257.0	Same	A320100GM50
139.1:1	24.0	60 %	45 rpm	0.128 Amp	2,475 mNm	598 mNm	33.4 mm	257.0	Same	A320139GM50
188.6:1	24.0	50 %	33 rpm	0.128 Amp	2,796 mNm	677 mNm	39.8 mm	283.0	Same	A320189GM50
263.7:1	24.0	50 %	24 rpm	0.128 Amp	3,910 mNm	951 mNm	39.8 mm	283.0	Same	A320264GM50

Radial Load Rating ≤ 29.4 N
 Radial Load Distance 10 mm
 Axial Load ≤ 24.5 N
 Press Fit Force - Max ≤ 98.1 N

Radial Play ≤ 0.05 mm
 Axial Play ≤ 0.30 mm
 Backlash ≤ 2.5 °

Max Temperature Oper. 60°C
 Min Temperature Oper. -10°C
 Relative Humidity Oper. 20% to 85%

CAUTION. Stall Torque is a theoretical calculation- NOT a rating/maximum value. Continuous Torque is the lesser of the Gearbox Continuous Torque Rating or the Motor's Continuous Torque Rating at gearbox output shaft.

Options
 Magnetic Encoders. Leads. Connectors. Pinion/Gear Mounting. Lubricants. Motor Windings. Gear material. Coreless Motors. Bearings.

* Rotational Sense of Gearbox Output Shaft to Motor Shaft

Global Motion Products
 Distributed by:
 Precision Motion Distributors: (925) 803-9565
 Technical Support: (760) 451-2723
<http://www.gmpwebsite.com> Email: info@gmpwebsite.com

Commutation Type:
 Metal Graphite

RoHS Compliant

A - May 2011

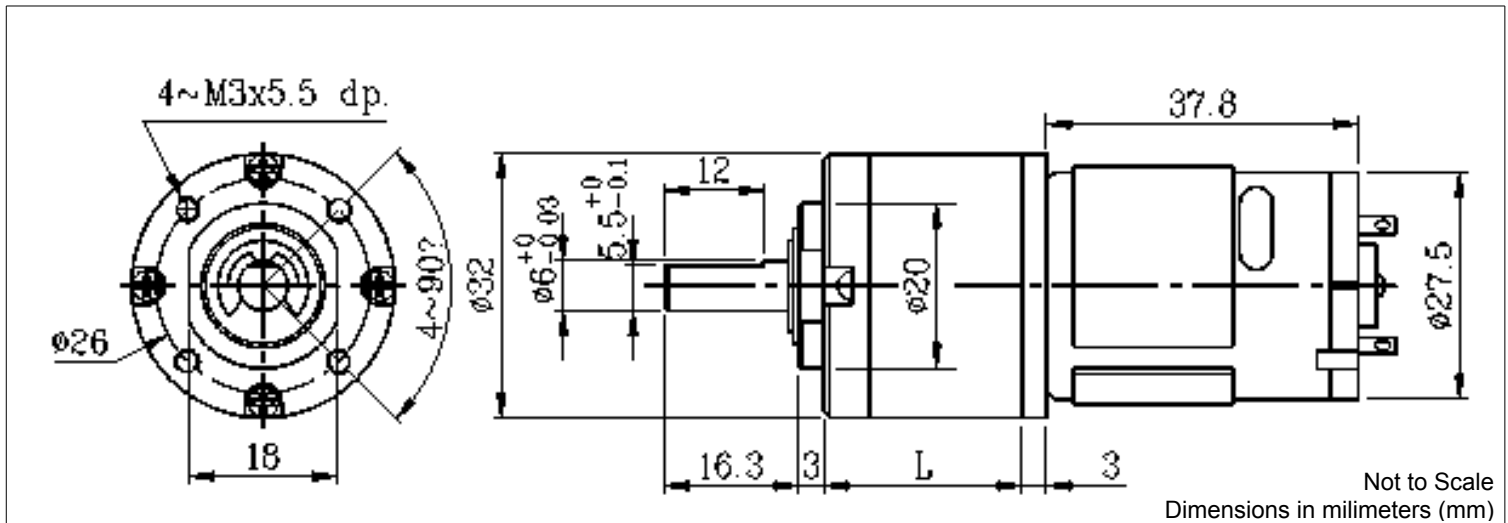
Specifications Subject to change without notice

Planetary Gearmotor - 32 mm Ø

24 Volts - 4 Watts - Reduced Length - Sleeve



Global Motion Products



Ratio	Voltage Volts	Gearbox Efficiency %	No Load Speed rpm	Gearmotor No Load Current A	Stall Torque mNm	Continuous Torque mNm	Length L mm	Gearmotor Mass grams	Direction of Rotation*	Order Part Number
515.6:1	24.0	50 %	12 rpm	0.128 Amp	7,644 mNm	1,177 mNm	39.8 mm	283.0	Same	A320516GM50
721.0:1	24.0	50 %	9 rpm	0.128 Amp	10,688 mNm	1,177 mNm	39.8 mm	283.0	Same	A320721GM50
939.2:1	24.0	50 %	7 rpm	0.128 Amp	13,923 mNm	1,177 mNm	39.8 mm	283.0	Same	A320939GM50

Radial Load Rating	≤ 29.4 N	Radial Play	≤ 0.05 mm	Max Temperature Oper.	60°C
Radial Load Distance	10 mm	Axial Play	≤ 0.30 mm	Min Temperature Oper.	-10°C
Axial Load	≤ 24.5 N	Backlash	≤ 2.5 °	Relative Humidity Oper.	20% to 85%
Press Fit Force - Max	≤ 98.1 N	Options	Bearing	Sleeve	

CAUTION. Stall Torque is a theoretical calculation- NOT a rating/maximum value. Continuous Torque is the lesser of the Gearbox Continuous Torque Rating or the Motor's Continuous Torque Rating at gearbox output shaft.

Magnetic Encoders. Leads. Connectors. Pinion/Gear Mounting. Lubricants. Motor Windings. Gear material. Coreless Motors. Bearings.

* Rotational Sense of Gearbox Output Shaft to Motor Shaft

Global Motion Products
 Distributed by:
 Precision Motion Distributors: (925) 803-9565
 Technical Support: (760) 451-2723
<http://www.gmpwebsite.com> Email: info@gmpwebsite.com

Commutation Type:
 Metal Graphite

RoHS Compliant

A - May 2011

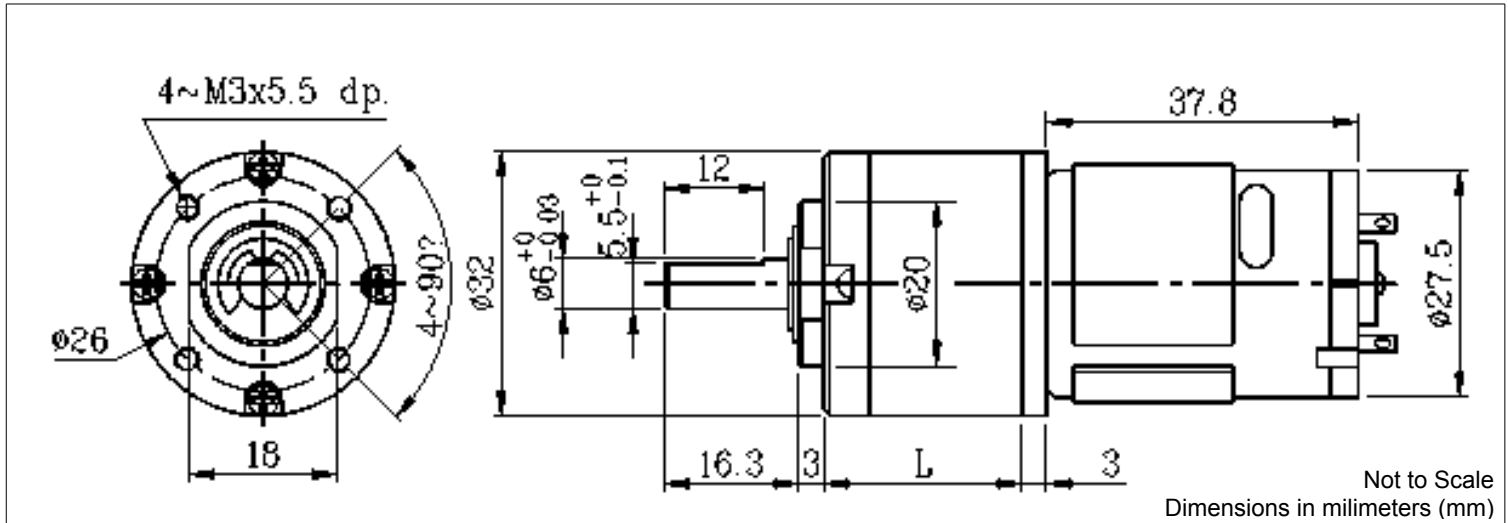
Specifications Subject to change without notice

Planetary Gearmotor - 32 mm Ø



24 Volts - 4 Watts - Reduced Length - Ball

Global Motion Products



Ratio	Voltage Volts	Gearbox Efficiency %	No Load Speed rpm	Gearmotor No Load Current A	Stall Torque mNm	Continuous Torque mNm	Length L mm	Gearmotor Mass grams	Direction of Rotation*	Order Part Number
3.7:1	24.0	80 %	1,675 rpm	0.128 Amp	88 mNm	20 mNm	20.6 mm	211.0	Same	A320004GM55
5.2:1	24.0	80 %	1,198 rpm	0.128 Amp	123 mNm	29 mNm	20.6 mm	211.0	Same	A320005GM55
13.7:1	24.0	70 %	452 rpm	0.128 Amp	285 mNm	69 mNm	27.0 mm	231.0	Same	A320014GM55
19.2:1	24.0	70 %	323 rpm	0.128 Amp	399 mNm	98 mNm	27.0 mm	231.0	Same	A320019GM55
26.9:1	24.0	70 %	231 rpm	0.128 Amp	557 mNm	137 mNm	27.0 mm	231.0	Same	A320027GM55
35.0:1	24.0	70 %	177 rpm	0.128 Amp	726 mNm	177 mNm	27.0 mm	231.0	Same	A320027GM55
50.9:1	24.0	60 %	122 rpm	0.128 Amp	905 mNm	216 mNm	33.4 mm	256.0	Same	A320051GM55
71.2:1	24.0	60 %	87 rpm	0.128 Amp	1,266 mNm	304 mNm	33.4 mm	256.0	Same	A320071GM55
99.5:1	24.0	60 %	62 rpm	0.128 Amp	1,770 mNm	431 mNm	33.4 mm	256.0	Same	A320100GM55
139.1:1	24.0	60 %	45 rpm	0.128 Amp	2,475 mNm	598 mNm	33.4 mm	256.0	Same	A320139GM55
188.6:1	24.0	50 %	33 rpm	0.128 Amp	2,796 mNm	677 mNm	39.8 mm	282.0	Same	A320189GM55
263.7:1	24.0	50 %	24 rpm	0.128 Amp	3,910 mNm	951 mNm	39.8 mm	282.0	Same	A320264GM55

Radial Load Rating ≤ 34.3 N
 Radial Load Distance 10 mm
 Axial Load ≤ 24.5 N
 Press Fit Force - Max ≤ 98.1 N

Radial Play ≤ 0.04 mm
 Axial Play ≤ 0.30 mm
 Backlash ≤ 2.5 °

Max Temperature Oper. 60°C
 Min Temperature Oper. -10°C
 Relative Humidity Oper. 20% to 85%
 Bearing Ball

CAUTION. Stall Torque is a theoretical calculation- NOT a rating/maximum value. Continuous Torque is the lesser of the Gearbox Continuous Torque Rating or the Motor's Continuous Torque Rating at gearbox output shaft.

Options
 Magnetic Encoders. Leads. Connectors. Pinion/Gear Mounting. Lubricants. Motor Windings. Gear material. Coreless Motors. Bearings.

* Rotational Sense of Gearbox Output Shaft to Motor Shaft

Global Motion Products
 Distributed by:
 Precision Motion Distributors: (925) 803-9565
 Technical Support: (760) 451-2723
<http://www.gmpwebsite.com> Email: info@gmpwebsite.com

Commutation Type:
 Metal Graphite

RoHS Compliant

A - May 2011

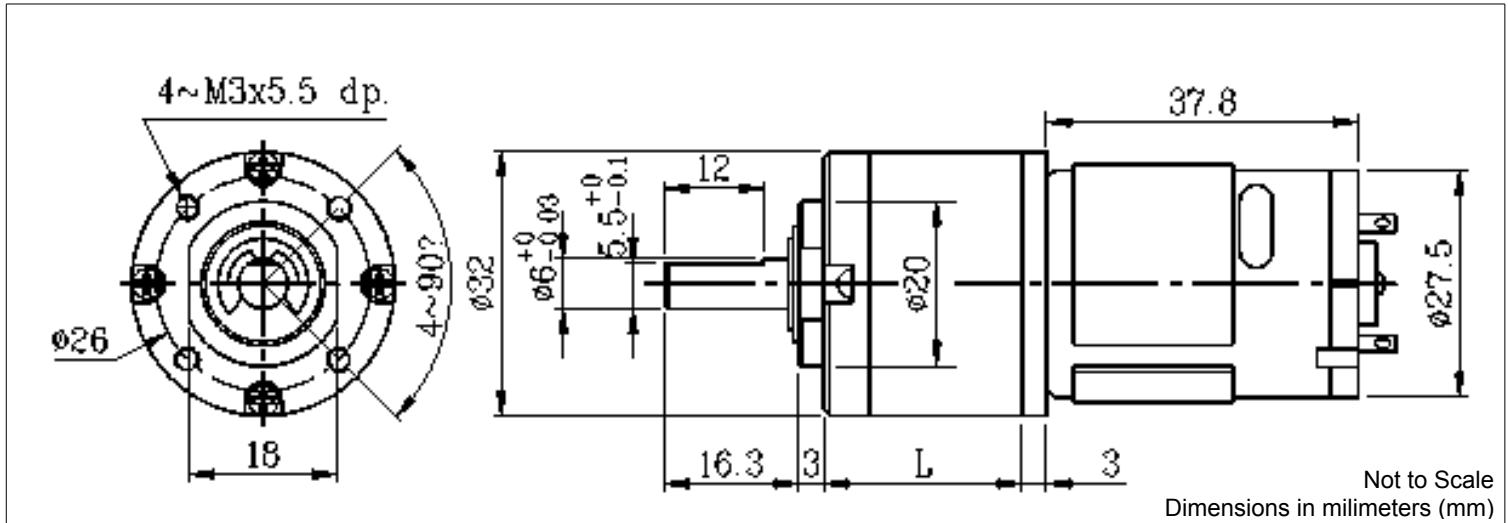
Specifications Subject to change without notice

Planetary Gearmotor - 32 mm Ø



24 Volts - 4 Watts - Reduced Length - Ball

Global Motion Products



Ratio	Voltage Volts	Gearbox Efficiency %	No Load Speed rpm	Gearmotor No Load Current A	Stall Torque mNm	Continuous Torque mNm	Length L mm	Gearmotor Mass grams	Direction of Rotation*	Order Part Number
515.6:1	24.0	50 %	12 rpm	0.128 Amp	7,644 mNm	1,177 mNm	39.8 mm	282.0	Same	A320516GM55
721.0:1	24.0	50 %	9 rpm	0.128 Amp	10,688 mNm	1,177 mNm	39.8 mm	282.0	Same	A320721GM55
939.2:1	24.0	50 %	7 rpm	0.128 Amp	13,923 mNm	1,177 mNm	39.8 mm	282.0	Same	A320939GM55

Radial Load Rating	≤ 34.3 N	Radial Play	≤ 0.04 mm	Max Temperature Oper.	60°C
Radial Load Distance	10 mm	Axial Play	≤ 0.30 mm	Min Temperature Oper.	-10°C
Axial Load	≤ 24.5 N	Backlash	≤ 2.5 °	Relative Humidity Oper.	20% to 85%
Press Fit Force - Max	≤ 98.1 N	Options	Bearing	Ball	

CAUTION. Stall Torque is a theoretical calculation- NOT a rating/maximum value. Continuous Torque is the lesser of the Gearbox Continuous Torque Rating or the Motor's Continuous Torque Rating at gearbox output shaft.

Magnetic Encoders. Leads. Connectors. Pinion/Gear Mounting. Lubricants. Motor Windings. Gear material. Coreless Motors. Bearings.

* Rotational Sense of Gearbox Output Shaft to Motor Shaft

Global Motion Products
 Distributed by:
 Precision Motion Distributors: (925) 803-9565
 Technical Support: (760) 451-2723
<http://www.gmpwebsite.com> Email: info@gmpwebsite.com

Commutation Type:
 Metal Graphite

RoHS Compliant

A - May 2011

Specifications Subject to change without notice

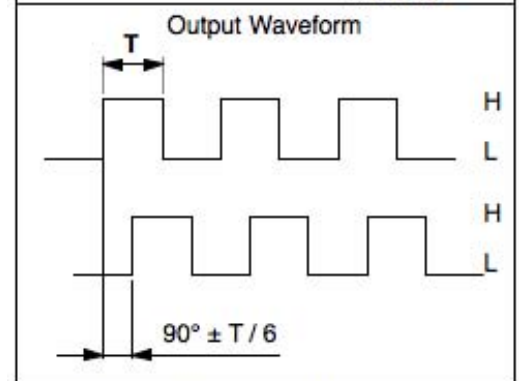
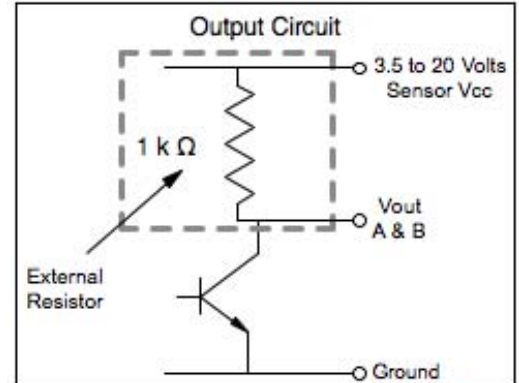
Magnetic Encoders - Integrated

Low Cost - Single & Quadrature Channels



Global Motion Products

Supply Voltage - Max	20.0 Volt
Supply Voltage - Min	3.5 Volt
Supply Voltage - Symbol	Vcc
Output Saturation Voltage - Max	700 mVolts
Output Saturation Voltage - Ref	300 mVolts
Output Saturation Voltage - Symbol	Vce(sat)
Output Saturation Voltage - Test Conditions	Vcc = 14 Volts; Ic = 20mA
Output Leakage Current - Max	10.0 µAmp
Output Leakage Current - Ref	< 0.1 µAmp
Output Leakage Current - Symbol	Icex
Output Leakage Current - Test Conditions	Vce = 14 Volts; Vcc = 14 V
Supply Current - Max	10 mAmp
Supply Current - Ref	5 mAmp
Supply Current - Symbol	Ice
Supply Current - Test Conditions	Vcc = 20 Volts, Output Open
Output Rise Time - Max	1.5 µSec
Output Rise Time - Ref	0.3 µSec
Output Rise Time - Symbol	tr
Output Rise Time - Test Condition	Vce = 14 Volts; RI = 820 Ω; CI = 20pF
Output Fall Time - Max	1.5 µSec
Output Fall Time - Ref	0.3 µSec
Output Fall Time - Symbol	tf
Output Fall Time - Test Conditions	Vce = 14 Volts; RI = 820 Ω; CI = 20pF
Max Temperature - Operating	60°C
Min Temperature - Operating	-10°C
Relative Humidity - Operating	20% to 85% RH

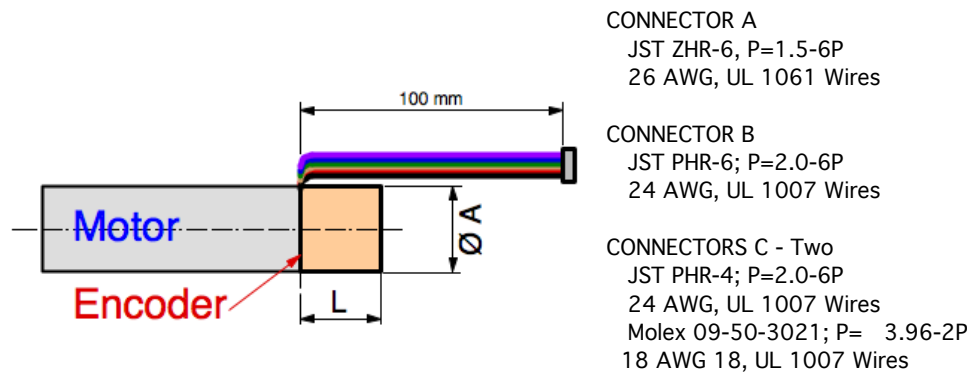


Two Channel Encoder

Connector Pin	Color	Function
1	Black	- Motor
2	Red	+ Motor
3	Brown	Hall Sensor Vcc
4	Green	Hall Sensor Ground
5	Blue	Hall Sensor A Vout
6	Purple	Hall Sensor B Vout

One Channel Encoder

Connector Pin	Color	Function
1	Black	- Motor
2	Red	+ Motor
3	Brown	Hall Sensor Vcc
4	Green	Hall Sensor Ground
5	Blue	Hall Sensor A Vout
6	Purple	No Function



Note:
For encoder resolution and channel options, how to order, diameter and encoder length details refer to the following pages. Resolution options vary by motor diameter, as do connector(s) and wire gauge(s).

Below 30 mm motor diameter the magnetic encoder does not have the option for a dust cap at this time. The encoder is exposed and the dimensions represent the largest dimension of the encoder. On 30 mm and larger diameter motors an OPTIONAL Dust Cap is available. Part Numbers here represent no Dust Cap.

Global Motion Products

Distributed by:

Precision Motion Distributors: (925) 803-9565

Technical Support: (760) 451-2723

http://www.gmpwebsite.com Email: info@gmpwebsite.com Preliminary - 03-2011

RoHS Compliant

Specifications Subject to change without notice

Magnetic Encoders - Integrated



Low Cost - Single & Quadrature Channels

Global Motion Products

Pulses per Revolution per Track	Track Number	Dust Cap Option	Cover ØA mm	Cover or Encoder L - mm	Connector Type(s)	Compatible Gearmotor Series	Order Part Number
1	X	No	12.0	6.5	A	A12----GM--	EM120001X00
3	X	No	12.0	6.5	A	A12----GM--	EM120003X00
1	X	No	15.4	6.5	A	A16----AS--	EM160001X00
3	X	No	15.4	6.5	A	A16----AS--	EM160003X00
1	X	No	20.3	8.5	B	S20----AM--; A22----GM--; A22----HM--	EM210001X00
3	X	No	20.3	8.5	B	S20----AM--; A22----GM--; A22----HM--	EM210003X00
1	X	Yes	30.0	12.6	B	A30----GM--	EM300001X00
3	X	Yes	30.0	12.6	B	A30----GM--	EM300003X00
7	X	Yes	30.0	12.6	B	A30----GM--	EM300007X00
7	X	Yes	32.0	14.3	B	A32----GM--	EM320007X00
7	X	Yes	36.0	13.5	B	A36----GM--	EM360007X00
1	X	Yes	42.5	15.5	C	A45----A---	EM430001X00
5	X	Yes	42.5	15.5	C	A45----A---	EM430005X00
1	X	Yes	52.0	18.0	C	A52----GM--	EM520001X00
1	X	Yes	52.0	18.0	C	A52----GM--	EM520001X00
5	X	Yes	54.0	18.0	C	A54----GM--	EM540005X00
5	X	Yes	54.0	18.0	C	A54----GM--	EM540005X00
1	X & Y	No	12.0	6.5	A	A12----GM--	EM120001Y00
3	X & Y	No	12.0	6.5	A	A12----GM--	EM120003Y00
1	X & Y	No	15.4	6.5	A	A16----AS--	EM160001Y00
3	X & Y	No	15.4	6.5	A	A16----AS--	EM160003Y00
1	X & Y	No	20.3	8.5	B	S20----AM--; A22----GM--; A22----HM--	EM210001Y00
3	X & Y	No	20.3	8.5	B	S20----AM--; A22----GM--; A22----HM--	EM210003Y00
1	X & Y	Yes	30.0	12.6	B	A30----GM--	EM300001Y00
3	X & Y	Yes	30.0	12.6	B	A30----GM--	EM300003Y00
7	X & Y	Yes	30.0	12.6	B	A30----GM--	EM300007Y00
7	X & Y	Yes	32.0	14.3	B	A32----GM--	EM320007Y00
7	X & Y	Yes	36.0	13.5	B	A36----GM--	EM360007Y00
1	X & Y	Yes	42.5	15.5	C	A45----A---	EM430001Y00
5	X & Y	Yes	42.5	15.5	C	A45----A---	EM430005Y00
1	X & Y	Yes	52.0	18.0	C	A52----GM--	EM520001Y00
1	X & Y	Yes	52.0	18.0	C	A52----GM--	EM520005Y00
5	X & Y	Yes	54.0	18.0	C	A54----GM--	EM540001Y00
5	X & Y	Yes	54.0	18.0	C	A54----GM--	EM540005Y00

Global Motion Products

Distributed by:

Precision Motion Distributors: (925) 803-9565

Technical Support: (760) 451-2723

<http://www.gmpwebsite.com> Email: info@gmpwebsite.com

Preliminary - 03-2011

Specifications Subject to change without notice

RoHS Compliant