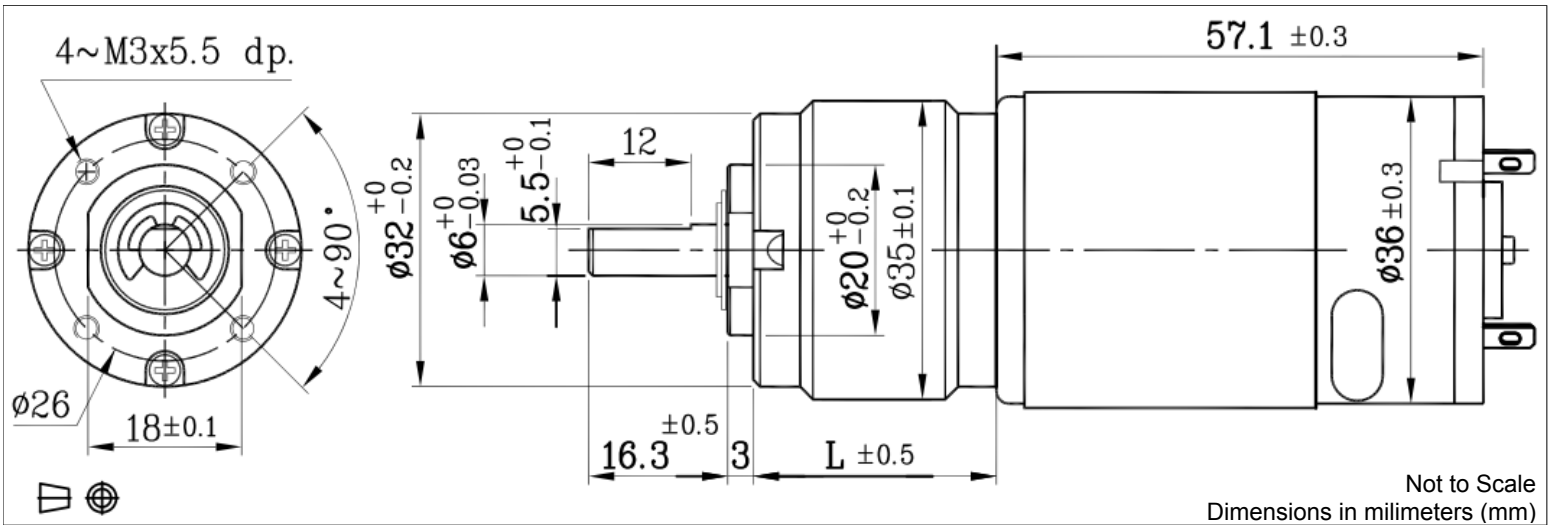


# Planetary Gearmotor - 36 mm Ø



Quieter - Helical Input Stage - Sleeve - 12 Volt

Global Motion Products



Ratio	Voltage Volts	Gearbox Efficiency %	No Load Speed rpm	Gearmotor No Load Current A	Stall Torque Nm	Continuous Torque Nm	Length L mm	Gearmotor Mass grams	Direction of Rotation*	Order Part Number
13.1:1	12.0	70 %	453 rpm	0.375 Amp	1.72 Nm	0.22 Nm	28.5 mm	363.0	Same	A360013HM00
18.2:1	12.0	70 %	326 rpm	0.375 Amp	2.39 Nm	0.30 Nm	28.5 mm	363.0	Same	A360018HM00
25.4:1	12.0	70 %	233 rpm	0.375 Amp	3.34 Nm	0.30 Nm	34.9 mm	397.0	Same	A360025HM00
33.0:1	12.0	60 %	179 rpm	0.375 Amp	3.72 Nm	0.34 Nm	34.9 mm	397.0	Same	A360033HM00
48.5:1	12.0	60 %	122 rpm	0.375 Amp	5.45 Nm	0.61 Nm	34.9 mm	397.0	Same	A360048HM00
67.8:1	12.0	60 %	87 rpm	0.375 Amp	7.63 Nm	0.71 Nm	34.9 mm	397.0	Same	A360068HM00
94.3:1	12.0	60 %	63 rpm	0.375 Amp	10.61 Nm	0.78 Nm	34.9 mm	397.0	Same	A36094HM00
131.8:1	12.0	60 %	45 rpm	0.375 Amp	14.83 Nm	0.78 Nm	34.9 mm	397.0	Same	A360132HM00
171.2:1	12.0	60 %	35 rpm	0.375 Amp	19.26 Nm	0.98 Nm	41.3 mm	431.0	Same	A360171HM00
249.8:1	12.0	50 %	24 rpm	0.375 Amp	23.43 Nm	1.18 Nm	41.3 mm	431.0	Same	A360250HM00
349.4:1	12.0	50 %	17 rpm	0.375 Amp	32.76 Nm	1.18 Nm	41.3 mm	431.0	Same	A360349HM00
491.1:1	12.0	50 %	12 rpm	0.375 Amp	46.04 Nm	1.18 Nm	41.3 mm	431.0	Same	A360491HM00

Radial Load Rating	≤ 29.4 N	Radial Play	≤ 0.08 mm	Max Temperature Oper.	60°C
Radial Load Distance	10 mm	Axial Play	≤ 0.30 mm	Min Temperature Oper.	-10°C
Axial Load	≤ 24.5 N	Backlash	≤ 2.5 °	Relative Humidity Oper.	20% to 85%
Press Fit Force - Max	≤ 98.1 N				

### Options

Bearing Sleeve

**CAUTION: Stall Torque is a theoretical calculation- NOT a rating or maximum value. Continuous Torque is the lesser of the Gearbox Continuous Torque Rating or the Motor's Continuous Torque Rating at gearbox output shaft.**

Ball Bearings. Encoders. Coreless & Brushless motors. Leads. Connectors. Pinion/Gear Mounting. Lubricants. Motor windings, stack lengths. Gear material. Shaft modifications and component mounting.

\* Rotational Sense of Gearbox Output Shaft to Motor Shaft

Global Motion Products  
Distributed by:  
Precision Motion Distributors: (925) 803-9565  
Technical Support: (760) 451-2723  
http://www.gmpwebsite.com Email: info@gmpwebsite.com

Commutation Type:  
Metal Graphite

RoHS Compliant

A - May 2011

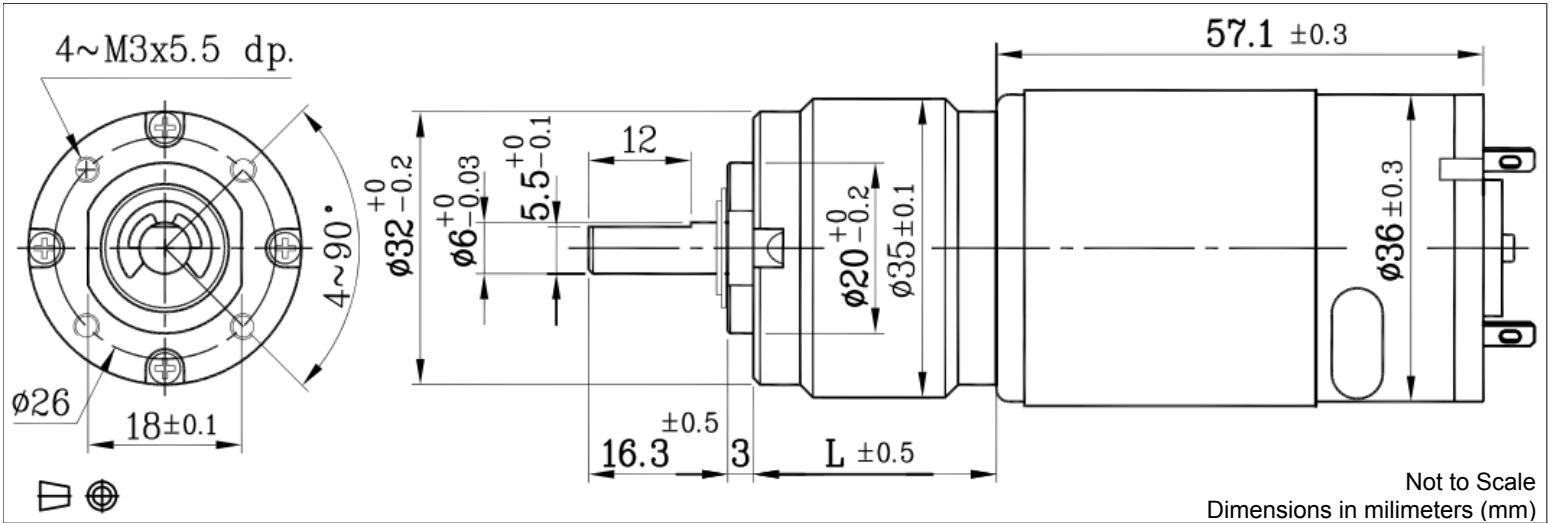
Specifications Subject to change without notice

# Planetary Gearmotor - 36 mm Ø



Quieter - Helical Input Stage - Sleeve - 12 Volt

Global Motion Products



Ratio	Voltage Volts	Gearbox Efficiency %	No Load Speed rpm	Gearmotor No Load Current A	Stall Torque Nm	Continuous Torque Nm	Length L mm	Gearmotor Mass grams	Direction of Rotation*	Order Part Number
683.0:1	12.0	50 %	9 rpm	0.375 Amp	64.04 Nm	1.18 Nm	41.3 mm	431.0	Same	A360683HM00
887.0:1	12.0	50 %	7 rpm	0.375 Amp	83.17 Nm	1.18 Nm	41.3 mm	431.0	Same	A360887HM00

Radial Load Rating	≤ 29.4 N	Radial Play	≤ 0.08 mm	Max Temperature Oper.	60°C
Radial Load Distance	10 mm	Axial Play	≤ 0.30 mm	Min Temperature Oper.	-10°C
Axial Load	≤ 24.5 N	Backlash	≤ 2.5 °	Relative Humidity Oper.	20% to 85%
Press Fit Force - Max	≤ 98.1 N				

### Options

Bearing Sleeve

**CAUTION: Stall Torque is a theoretical calculation- NOT a rating or maximum value. Continuous Torque is the lesser of the Gearbox Continuous Torque Rating or the Motor's Continuous Torque Rating at gearbox output shaft.**

Ball Bearings. Encoders. Coreless & Brushless motors. Leads. Connectors. Pinion/Gear Mounting. Lubricants. Motor windings, stack lengths. Gear material. Shaft modifications and component mounting.

\* Rotational Sense of Gearbox Output Shaft to Motor Shaft

Global Motion Products  
Distributed by:  
Precision Motion Distributors: (925) 803-9565  
Technical Support: (760) 451-2723  
<http://www.gmpwebsite.com> Email: [info@gmpwebsite.com](mailto:info@gmpwebsite.com)

Commutation Type:  
Metal Graphite

RoHS Compliant

A - May 2011

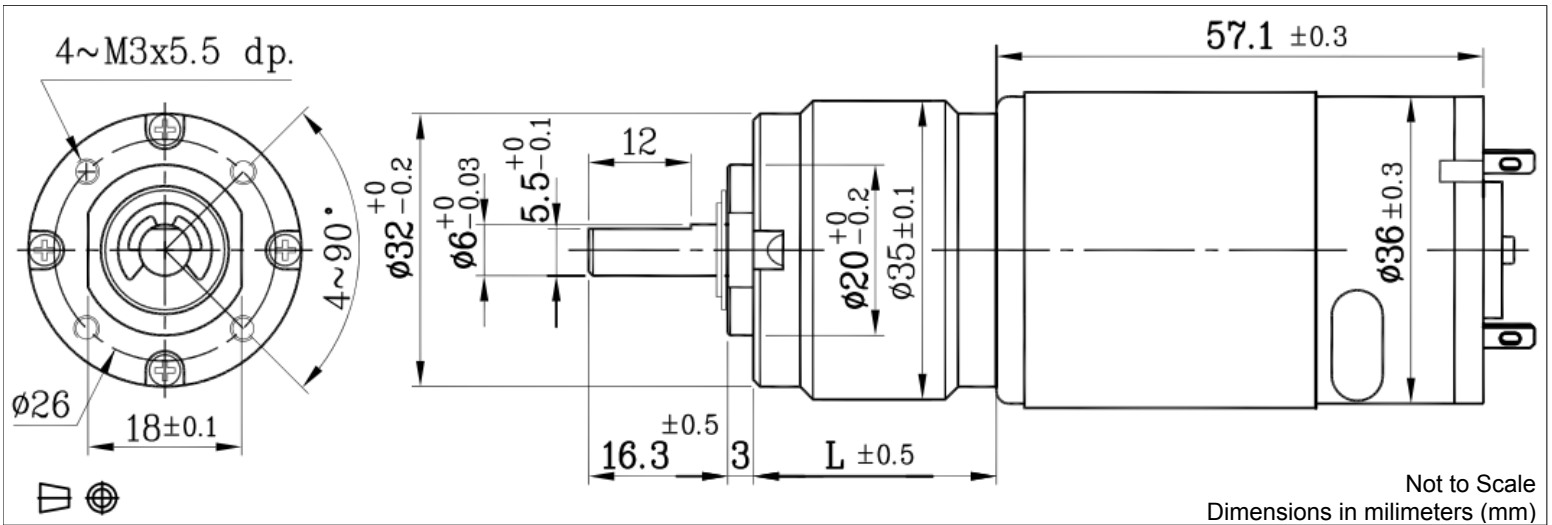
Specifications Subject to change without notice

# Planetary Gearmotor - 36 mm Ø



Quieter - Helical Input Stage - Ball - 12 Volt

Global Motion Products



Ratio	Voltage Volts	Gearbox Efficiency %	No Load Speed rpm	Gearmotor No Load Current A	Stall Torque Nm	Continuous Torque Nm	Length L mm	Gearmotor Mass grams	Direction of Rotation*	Order Part Number
13.1:1	12.0	70 %	453 rpm	0.375 Amp	1.72 Nm	0.22 Nm	28.5 mm	362.0	Same	A360013HM10
18.2:1	12.0	70 %	326 rpm	0.375 Amp	2.39 Nm	0.30 Nm	28.5 mm	362.0	Same	A360018HM10
25.4:1	12.0	70 %	233 rpm	0.375 Amp	3.34 Nm	0.30 Nm	34.9 mm	396.0	Same	A360025HM10
33.0:1	12.0	60 %	179 rpm	0.375 Amp	3.72 Nm	0.34 Nm	34.9 mm	396.0	Same	A360033HM10
48.5:1	12.0	60 %	122 rpm	0.375 Amp	5.45 Nm	0.61 Nm	34.9 mm	396.0	Same	A360048HM10
67.8:1	12.0	60 %	87 rpm	0.375 Amp	7.63 Nm	0.71 Nm	34.9 mm	396.0	Same	A360068HM10
94.3:1	12.0	60 %	63 rpm	0.375 Amp	10.61 Nm	0.78 Nm	34.9 mm	396.0	Same	A36094HM10
131.8:1	12.0	60 %	45 rpm	0.375 Amp	14.83 Nm	0.78 Nm	34.9 mm	396.0	Same	A360132HM10
171.2:1	12.0	60 %	35 rpm	0.375 Amp	19.26 Nm	0.98 Nm	41.3 mm	430.0	Same	A360171HM10
249.8:1	12.0	50 %	24 rpm	0.375 Amp	23.43 Nm	1.18 Nm	41.3 mm	430.0	Same	A360250HM10
349.4:1	12.0	50 %	17 rpm	0.375 Amp	32.76 Nm	1.18 Nm	41.3 mm	430.0	Same	A360349HM10
491.1:1	12.0	50 %	12 rpm	0.375 Amp	46.04 Nm	1.18 Nm	41.3 mm	430.0	Same	A360491HM10

Radial Load Rating	≤ 34.3 N	Radial Play	≤ 0.05 mm	Max Temperature Oper.	60°C
Radial Load Distance	10 mm	Axial Play	≤ 0.30 mm	Min Temperature Oper.	-10°C
Axial Load	≤ 24.5 N	Backlash	≤ 2.5 °	Relative Humidity Oper.	20% to 85%
Press Fit Force - Max	≤ 98.1 N				

### Options

Bearing Ball

**CAUTION: Stall Torque is a theoretical calculation- NOT a rating or maximum value. Continuous Torque is the lesser of the Gearbox Continuous Torque Rating or the Motor's Continuous Torque Rating at gearbox output shaft.**

Encoders. Coreless & Brushless motors. Leads. Connectors. Pinion/Gear Mounting. Lubricants. Motor windings, stack lengths. Gear material. Shaft modifications and component mounting.

\* Rotational Sense of Gearbox Output Shaft to Motor Shaft

Global Motion Products  
Distributed by:  
Precision Motion Distributors: (925) 803-9565  
Technical Support: (760) 451-2723  
<http://www.gmpwebsite.com> Email: [info@gmpwebsite.com](mailto:info@gmpwebsite.com)

Commutation Type:  
Metal Graphite

RoHS Compliant

A - May 2011

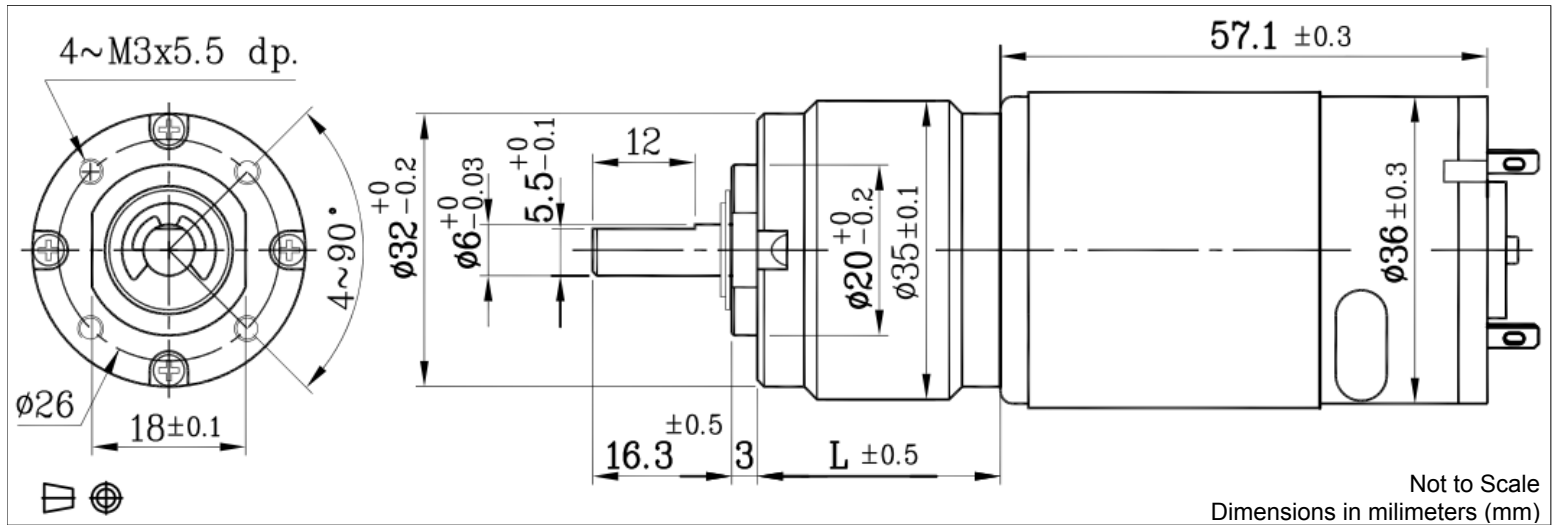
Specifications Subject to change without notice

# Planetary Gearmotor - 36 mm Ø



Quieter - Helical Input Stage - Ball - 12 Volt

Global Motion Products



Ratio	Voltage Volts	Gearbox Efficiency %	No Load Speed rpm	Gearmotor No Load Current A	Stall Torque Nm	Continuous Torque Nm	Length L mm	Gearmotor Mass grams	Direction of Rotation*	Order Part Number
683.0:1	12.0	50 %	9 rpm	0.375 Amp	64.04 Nm	1.18 Nm	41.3 mm	430.0	Same	A360683HM10
887.0:1	12.0	50 %	7 rpm	0.375 Amp	83.17 Nm	1.18 Nm	41.3 mm	430.0	Same	A360887HM10

Radial Load Rating ≤ 34.3 N  
 Radial Load Distance 10 mm  
 Axial Load ≤ 24.5 N  
 Press Fit Force - Max ≤ 98.1 N

Radial Play ≤ 0.05 mm  
 Axial Play ≤ 0.30 mm  
 Backlash ≤ 2.5 °

Max Temperature Oper. 60°C  
 Min Temperature Oper. -10°C  
 Relative Humidity Oper. 20% to 85%

### Options

Bearing Ball

**CAUTION: Stall Torque is a theoretical calculation- NOT a rating or maximum value. Continuous Torque is the lesser of the Gearbox Continuous Torque Rating or the Motor's Continuous Torque Rating at gearbox output shaft.**

Encoders. Coreless & Brushless motors. Leads. Connectors. Pinion/Gear Mounting. Lubricants. Motor windings, stack lengths. Gear material. Shaft modifications and component mounting.

\* Rotational Sense of Gearbox Output Shaft to Motor Shaft

Global Motion Products  
 Distributed by:  
 Precision Motion Distributors: (925) 803-9565  
 Technical Support: (760) 451-2723  
<http://www.gmpwebsite.com> Email: [info@gmpwebsite.com](mailto:info@gmpwebsite.com)

Commutation Type:  
 Metal Graphite

RoHS Compliant

A - May 2011

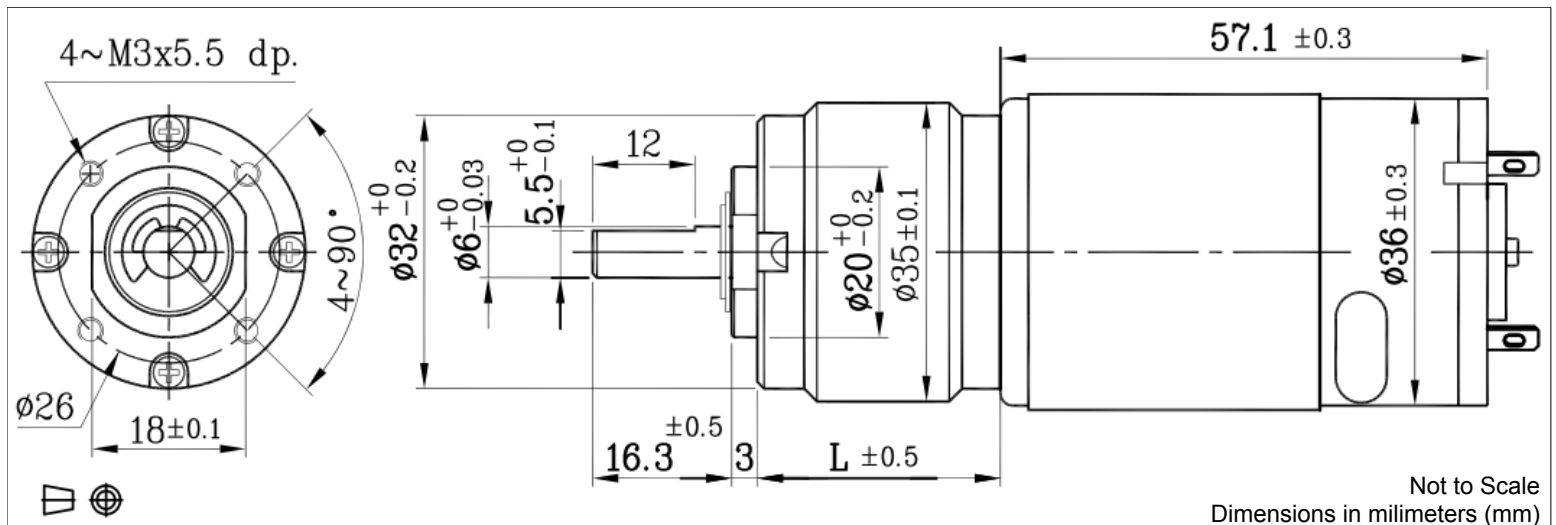
Specifications Subject to change without notice

# Planetary Gearmotor - 36 mm Ø



Quieter - Helical Input Stage - Sleeve - 24 Volt

Global Motion Products



Ratio	Voltage Volts	Gearbox Efficiency %	No Load Speed rpm	Gearmotor No Load Current A	Stall Torque Nm	Continuous Torque Nm	Length L mm	Gearmotor Mass grams	Direction of Rotation*	Order Part Number
13.1:1	24.0	70 %	452 rpm	0.195 Amp	1.57 Nm	0.22 Nm	28.5 mm	363.0	Same	A360013HM20
18.2:1	24.0	70 %	325 rpm	0.195 Amp	2.18 Nm	0.30 Nm	28.5 mm	363.0	Same	A360018HM20
25.4:1	24.0	70 %	233 rpm	0.195 Amp	3.05 Nm	0.30 Nm	34.9 mm	397.0	Same	A360025HM20
33.0:1	24.0	60 %	179 rpm	0.195 Amp	3.39 Nm	0.34 Nm	34.9 mm	397.0	Same	A360033HM20
48.5:1	24.0	60 %	122 rpm	0.195 Amp	4.98 Nm	0.61 Nm	34.9 mm	397.0	Same	A360048HM20
67.8:1	24.0	60 %	87 rpm	0.195 Amp	6.96 Nm	0.71 Nm	34.9 mm	397.0	Same	A360068HM20
94.3:1	24.0	60 %	63 rpm	0.195 Amp	9.68 Nm	0.78 Nm	34.9 mm	397.0	Same	A36094HM20
131.8:1	24.0	60 %	45 rpm	0.195 Amp	13.53 Nm	0.78 Nm	34.9 mm	397.0	Same	A360132HM20
171.2:1	24.0	60 %	35 rpm	0.195 Amp	17.58 Nm	0.98 Nm	41.3 mm	431.0	Same	A360171HM20
249.8:1	24.0	50 %	24 rpm	0.195 Amp	21.38 Nm	1.18 Nm	41.3 mm	431.0	Same	A360250HM20
349.4:1	24.0	50 %	17 rpm	0.195 Amp	29.89 Nm	1.18 Nm	41.3 mm	431.0	Same	A360349HM20
491.1:1	24.0	50 %	12 rpm	0.195 Amp	42.02 Nm	1.18 Nm	41.3 mm	431.0	Same	A360491HM20

Radial Load Rating	≤ 29.4 N	Radial Play	≤ 0.08 mm	Max Temperature Oper.	60°C
Radial Load Distance	10 mm	Axial Play	≤ 0.30 mm	Min Temperature Oper.	-10°C
Axial Load	≤ 24.5 N	Backlash	≤ 2.5 °	Relative Humidity Oper.	20% to 85%
Press Fit Force - Max	≤ 98.1 N				

### Options

Magnetic Encoders. Ball Bearings. Leads. Connectors. Pinion/Gear Mounting. Lubricants. Motor Windings. Gear material. Alternative motors.

\* Rotational Sense of Gearbox Output Shaft to Motor Shaft

Global Motion Products  
Distributed by:  
Precision Motion Distributors: (925) 803-9565  
Technical Support: (760) 451-2723  
http://www.gmpwebsite.com Email: info@gmpwebsite.com

Commutation Type:  
Metal Graphite

RoHS Compliant

A - May 2011

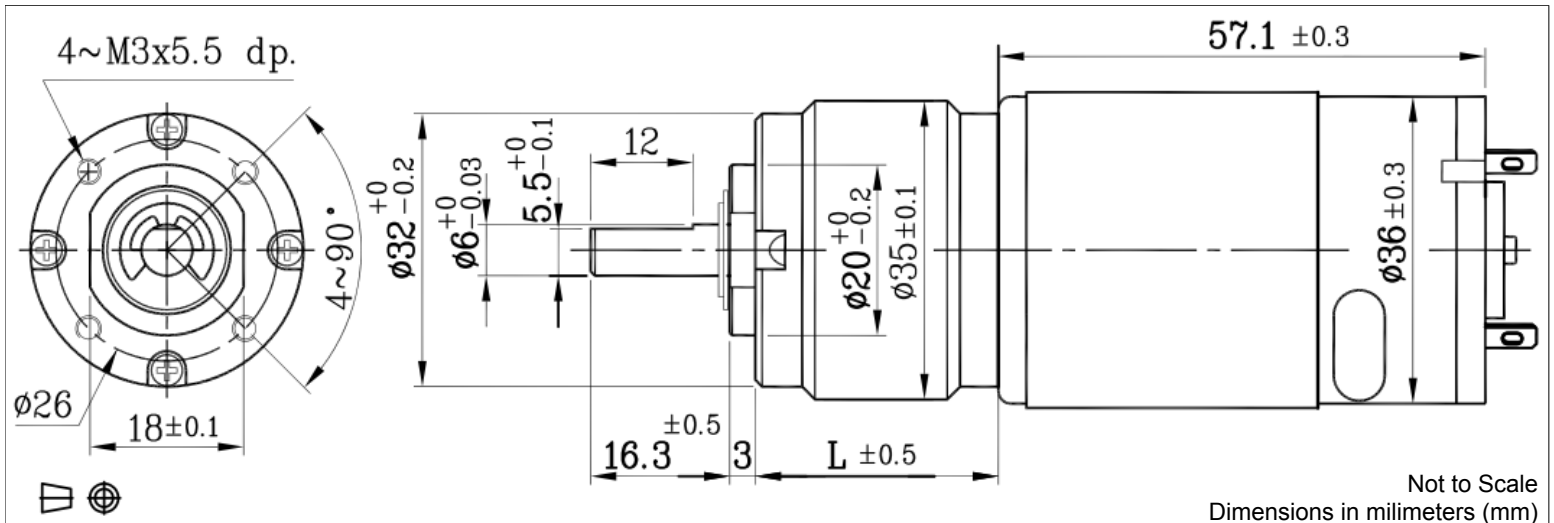
Specifications Subject to change without notice

# Planetary Gearmotor - 36 mm Ø



Quieter - Helical Input Stage - Sleeve - 24 Volt

Global Motion Products



Ratio	Voltage Volts	Gearbox Efficiency %	No Load Speed rpm	Gearmotor No Load Current A	Stall Torque Nm	Continuous Torque Nm	Length L mm	Gearmotor Mass grams	Direction of Rotation*	Order Part Number
683.0:1	24.0	50 %	9 rpm	0.195 Amp	58.45 Nm	1.18 Nm	41.3 mm	431.0	Same	A360683HM20
887.0:1	24.0	50 %	7 rpm	0.195 Amp	75.90 Nm	1.18 Nm	41.3 mm	431.0	Same	A360887HM20

Radial Load Rating	≤ 29.4 N	Radial Play	≤ 0.08 mm	Max Temperature Oper.	60°C
Radial Load Distance	10 mm	Axial Play	≤ 0.30 mm	Min Temperature Oper.	-10°C
Axial Load	≤ 24.5 N	Backlash	≤ 2.5 °	Relative Humidity Oper.	20% to 85%
Press Fit Force - Max	≤ 98.1 N				

### Options

Magnetic Encoders. Ball Bearings. Leads. Connectors. Pinion/Gear Mounting. Lubricants. Motor Windings. Gear material. Alternative motors.

\* Rotational Sense of Gearbox Output Shaft to Motor Shaft

Global Motion Products  
Distributed by:  
Precision Motion Distributors: (925) 803-9565  
Technical Support: (760) 451-2723  
<http://www.gmpwebsite.com> Email: [info@gmpwebsite.com](mailto:info@gmpwebsite.com)

Commutation Type:  
Metal Graphite

A - May 2011

RoHS Compliant

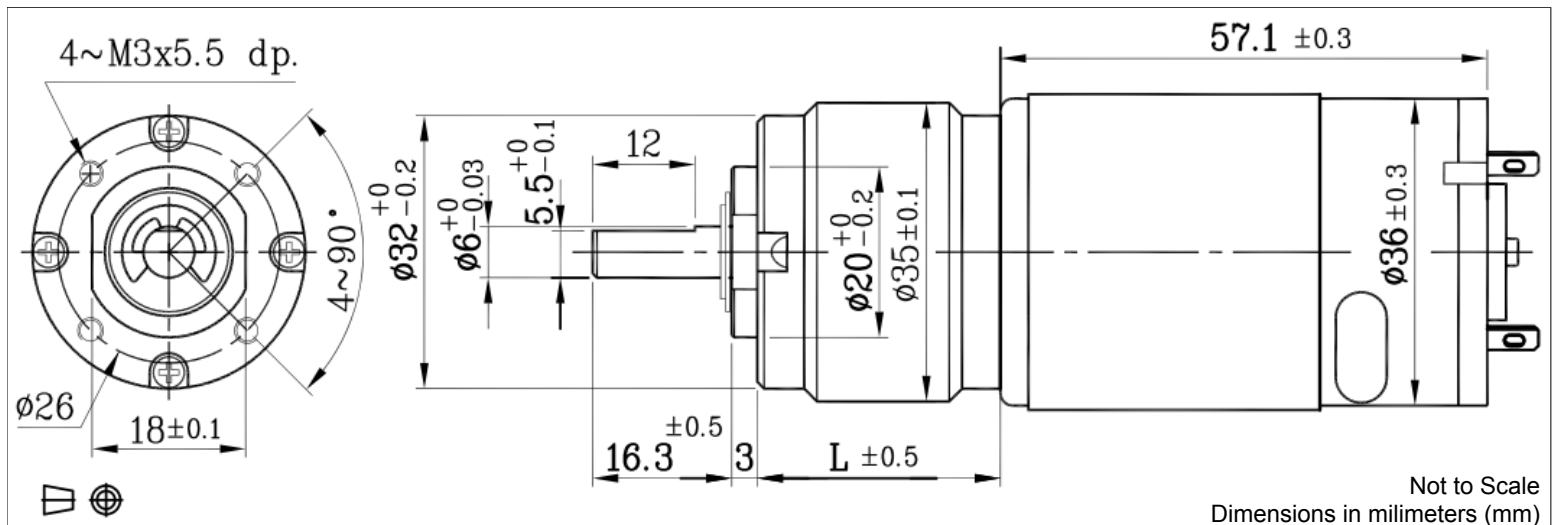
Specifications Subject to change without notice

# Planetary Gearmotor - 36 mm Ø



Quieter - Helical Input Stage - Ball - 24 Volt

Global Motion Products



Ratio	Voltage Volts	Gearbox Efficiency %	No Load Speed rpm	Gearmotor No Load Current A	Stall Torque Nm	Continuous Torque Nm	Length L mm	Gearmotor Mass grams	Direction of Rotation*	Order Part Number
13.1:1	24.0	70 %	452 rpm	0.195 Amp	1.57 Nm	0.22 Nm	28.5 mm	362.0	Same	A360013HM30
18.2:1	24.0	70 %	325 rpm	0.195 Amp	2.18 Nm	0.30 Nm	28.5 mm	362.0	Same	A360018HM30
25.4:1	24.0	70 %	233 rpm	0.195 Amp	3.05 Nm	0.30 Nm	34.9 mm	396.0	Same	A360025HM30
33.0:1	24.0	60 %	179 rpm	0.195 Amp	3.39 Nm	0.34 Nm	34.9 mm	396.0	Same	A360033HM30
48.5:1	24.0	60 %	122 rpm	0.195 Amp	4.98 Nm	0.61 Nm	34.9 mm	396.0	Same	A360048HM30
67.8:1	24.0	60 %	87 rpm	0.195 Amp	6.96 Nm	0.71 Nm	34.9 mm	396.0	Same	A360068HM30
94.3:1	24.0	60 %	63 rpm	0.195 Amp	9.68 Nm	0.78 Nm	34.9 mm	396.0	Same	A36094HM30
131.8:1	24.0	60 %	45 rpm	0.195 Amp	13.53 Nm	0.78 Nm	34.9 mm	396.0	Same	A360132HM30
171.2:1	24.0	60 %	35 rpm	0.195 Amp	17.58 Nm	0.98 Nm	41.3 mm	430.0	Same	A360171HM30
249.8:1	24.0	50 %	24 rpm	0.195 Amp	21.38 Nm	1.18 Nm	41.3 mm	430.0	Same	A360250HM30
349.4:1	24.0	50 %	17 rpm	0.195 Amp	29.89 Nm	1.18 Nm	41.3 mm	430.0	Same	A360349HM30
491.1:1	24.0	50 %	12 rpm	0.195 Amp	42.02 Nm	1.18 Nm	41.3 mm	430.0	Same	A360491HM30

Radial Load Rating	≤ 34.3 N	Radial Play	≤ 0.05 mm	Max Temperature Oper.	60°C
Radial Load Distance	10 mm	Axial Play	≤ 0.30 mm	Min Temperature Oper.	-10°C
Axial Load	≤ 24.5 N	Backlash	≤ 2.5 °	Relative Humidity Oper.	20% to 85%
Press Fit Force - Max	≤ 98.1 N				

### Options

Magnetic Encoders. Ball Bearings. Leads. Connectors. Pinion/Gear Mounting. Lubricants. Motor Windings. Gear material. Alternative motors.

\* Rotational Sense of Gearbox Output Shaft to Motor Shaft

Global Motion Products  
Distributed by:  
Precision Motion Distributors: (925) 803-9565  
Technical Support: (760) 451-2723  
<http://www.gmpwebsite.com> Email: [info@gmpwebsite.com](mailto:info@gmpwebsite.com)

Commutation Type:  
Metal Graphite

RoHS Compliant

A - May 2011

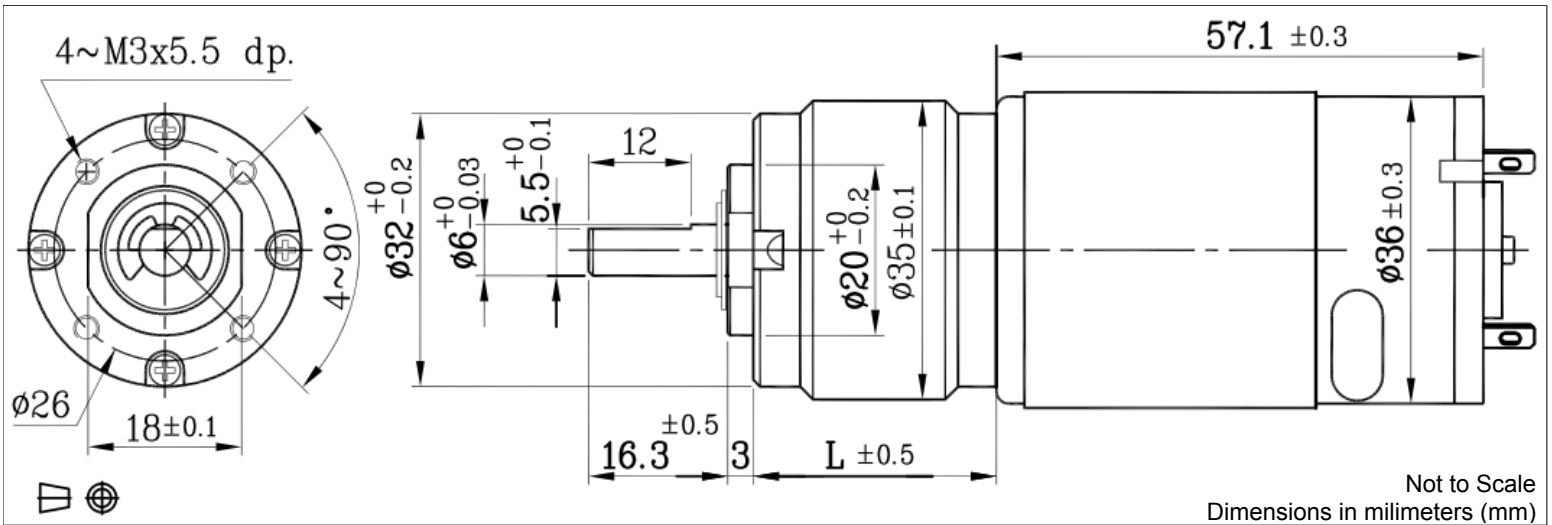
Specifications Subject to change without notice

# Planetary Gearmotor - 36 mm Ø



Quieter - Helical Input Stage - Ball - 24 Volt

Global Motion Products



Ratio	Voltage Volts	Gearbox Efficiency %	No Load Speed rpm	Gearmotor No Load Current A	Stall Torque Nm	Continuous Torque Nm	Length L mm	Gearmotor Mass grams	Direction of Rotation*	Order Part Number
683.0:1	24.0	50 %	9 rpm	0.195 Amp	58.45 Nm	1.18 Nm	41.3 mm	430.0	Same	A360683HM30
887.0:1	24.0	50 %	7 rpm	0.195 Amp	75.90 Nm	1.18 Nm	41.3 mm	430.0	Same	A360887HM30

Radial Load Rating	≤ 34.3 N	Radial Play	≤ 0.05 mm	Max Temperature Oper.	60°C
Radial Load Distance	10 mm	Axial Play	≤ 0.30 mm	Min Temperature Oper.	-10°C
Axial Load	≤ 24.5 N	Backlash	≤ 2.5 °	Relative Humidity Oper.	20% to 85%
Press Fit Force - Max	≤ 98.1 N				

### Options

Bearing Ball

**CAUTION: Stall Torque is a theoretical calculation- NOT a rating or maximum value. Continuous Torque is the lesser of the Gearbox Continuous Torque Rating or the Motor's Continuous Torque Rating at gearbox output shaft.**

Magnetic Encoders. Ball Bearings. Leads. Connectors. Pinion/Gear Mounting. Lubricants. Motor Windings. Gear material. Alternative motors.

\* Rotational Sense of Gearbox Output Shaft to Motor Shaft

Global Motion Products  
Distributed by:  
Precision Motion Distributors: (925) 803-9565  
Technical Support: (760) 451-2723  
<http://www.gmpwebsite.com> Email: [info@gmpwebsite.com](mailto:info@gmpwebsite.com)

Commutation Type:  
Metal Graphite

RoHS Compliant

A - May 2011

Specifications Subject to change without notice



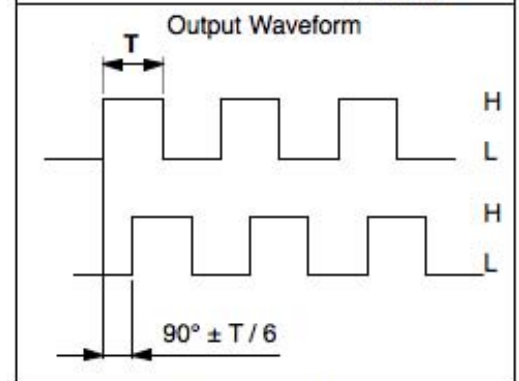
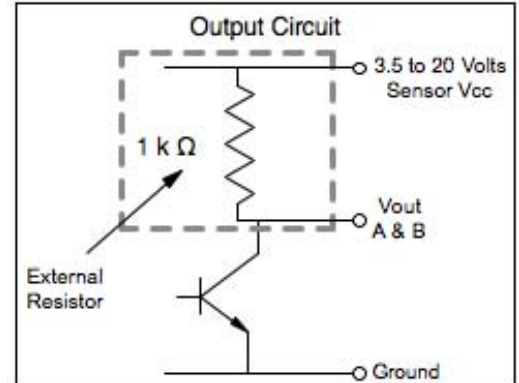
# Magnetic Encoders - Integrated

## Low Cost - Single & Quadrature Channels



Global Motion Products

Supply Voltage - Max	20.0 Volt
Supply Voltage - Min	3.5 Volt
Supply Voltage - Symbol	Vcc
Output Saturation Voltage - Max	700 mVolts
Output Saturation Voltage - Ref	300 mVolts
Output Saturation Voltage - Symbol	Vce(sat)
Output Saturation Voltage - Test Conditions	Vcc =14 Volts; Ic = 20mA
Output Leakage Current - Max	10.0 µAmp
Output Leakage Current - Ref	< 0.1 µAmp
Output Leakage Current - Symbol	Icex
Output Leakage Current - Test Conditions	Vce =14 Volts; Vcc = 14 V
Supply Current - Max	10 mAmp
Supply Current - Ref	5 mAmp
Supply Current - Symbol	Ice
Supply Current - Test Conditions	Vcc =20 Volts, Output Open
Output Rise Time - Max	1.5 µSec
Output Rise Time - Ref	0.3 µSec
Output Rise Time - Symbol	tr
Output Rise Time - Test Condition	Vce =14 Volts; RI = 820 Ω; CI = 20pF
Output Fall Time - Max	1.5 µSec
Output Fall Time - Ref	0.3 µSec
Output Fall Time - Symbol	tf
Output Fall Time - Test Conditions	Vce =14 Volts; RI = 820 Ω; CI = 20pF
Max Temperature - Operating	60°C
Min Temperature - Operating	-10°C
Relative Humidity - Operating	20% to 85% RH



### Two Channel Encoder

Connector Pin	Color	Function
1	Black	- Motor
2	Red	+ Motor
3	Brown	Hall Sensor Vcc
4	Green	Hall Sensor Ground
5	Blue	Hall Sensor A Vout
6	Purple	Hall Sensor B Vout

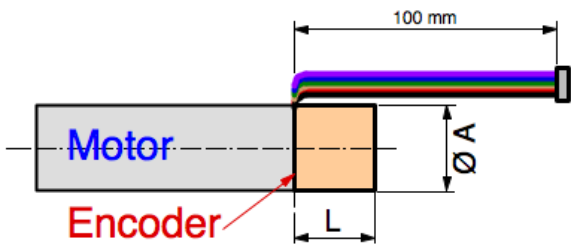
### One Channel Encoder

Connector Pin	Color	Function
1	Black	- Motor
2	Red	+ Motor
3	Brown	Hall Sensor Vcc
4	Green	Hall Sensor Ground
5	Blue	Hall Sensor A Vout
6	Purple	No Function

CONNECTOR A  
JST ZHR-6, P=1.5-6P  
26 AWG, UL 1061 Wires

CONNECTOR B  
JST PHR-6; P=2.0-6P  
24 AWG, UL 1007 Wires

CONNECTORS C - Two  
JST PHR-4; P=2.0-6P  
24 AWG, UL 1007 Wires  
Molex 09-50-3021; P= 3.96-2P  
18 AWG 18, UL 1007 Wires



#### Note:

For encoder resolution and channel options, how to order, diameter and encoder length details refer to the following pages. Resolution options vary by motor diameter, as do connector(s) and wire gauge(s).

Below 30 mm motor diameter the magnetic encoder does not have the option for a dust cap at this time. The encoder is exposed and the dimensions represent the largest dimension of the encoder. On 30 mm and larger diameter motors an OPTIONAL Dust Cap is available. Part Numbers here represent no Dust Cap.

Global Motion Products

Distributed by:

Precision Motion Distributors: (925) 803-9565

Technical Support: (760) 451-2723

http://www.gmpwebsite.com Email: info@gmpwebsite.com Preliminary - 03-2011

RoHS Compliant

Specifications Subject to change without notice

# Magnetic Encoders - Integrated



Low Cost - Single & Quadrature Channels

Global Motion Products

Pulses per Revolution per Track	Track Number	Dust Cap Option	Cover ØA mm	Cover or Encoder L - mm	Connector Type(s)	Compatible Gearmotor Series	Order Part Number
1	X	No	12.0	6.5	A	A12----GM--	EM120001X00
3	X	No	12.0	6.5	A	A12----GM--	EM120003X00
1	X	No	15.4	6.5	A	A16----AS--	EM160001X00
3	X	No	15.4	6.5	A	A16----AS--	EM160003X00
1	X	No	20.3	8.5	B	S20----AM--; A22----GM--; A22----HM--	EM210001X00
3	X	No	20.3	8.5	B	S20----AM--; A22----GM--; A22----HM--	EM210003X00
1	X	Yes	30.0	12.6	B	A30----GM--	EM300001X00
3	X	Yes	30.0	12.6	B	A30----GM--	EM300003X00
7	X	Yes	30.0	12.6	B	A30----GM--	EM300007X00
7	X	Yes	32.0	14.3	B	A32----GM--	EM320007X00
7	X	Yes	36.0	13.5	B	A36----GM--	EM360007X00
1	X	Yes	42.5	15.5	C	A45----A---	EM430001X00
5	X	Yes	42.5	15.5	C	A45----A---	EM430005X00
1	X	Yes	52.0	18.0	C	A52----GM--	EM520001X00
1	X	Yes	52.0	18.0	C	A52----GM--	EM520001X00
5	X	Yes	54.0	18.0	C	A54----GM--	EM540005X00
5	X	Yes	54.0	18.0	C	A54----GM--	EM540005X00
1	X & Y	No	12.0	6.5	A	A12----GM--	EM120001Y00
3	X & Y	No	12.0	6.5	A	A12----GM--	EM120003Y00
1	X & Y	No	15.4	6.5	A	A16----AS--	EM160001Y00
3	X & Y	No	15.4	6.5	A	A16----AS--	EM160003Y00
1	X & Y	No	20.3	8.5	B	S20----AM--; A22----GM--; A22----HM--	EM210001Y00
3	X & Y	No	20.3	8.5	B	S20----AM--; A22----GM--; A22----HM--	EM210003Y00
1	X & Y	Yes	30.0	12.6	B	A30----GM--	EM300001Y00
3	X & Y	Yes	30.0	12.6	B	A30----GM--	EM300003Y00
7	X & Y	Yes	30.0	12.6	B	A30----GM--	EM300007Y00
7	X & Y	Yes	32.0	14.3	B	A32----GM--	EM320007Y00
7	X & Y	Yes	36.0	13.5	B	A36----GM--	EM360007Y00
1	X & Y	Yes	42.5	15.5	C	A45----A---	EM430001Y00
5	X & Y	Yes	42.5	15.5	C	A45----A---	EM430005Y00
1	X & Y	Yes	52.0	18.0	C	A52----GM--	EM520001Y00
1	X & Y	Yes	52.0	18.0	C	A52----GM--	EM520005Y00
5	X & Y	Yes	54.0	18.0	C	A54----GM--	EM540001Y00
5	X & Y	Yes	54.0	18.0	C	A54----GM--	EM540005Y00

Global Motion Products

Distributed by:

Precision Motion Distributors: (925) 803-9565

Technical Support: (760) 451-2723

<http://www.gmpwebsite.com> Email: [info@gmpwebsite.com](mailto:info@gmpwebsite.com)

Preliminary - 03-2011

Specifications Subject to change without notice

RoHS Compliant