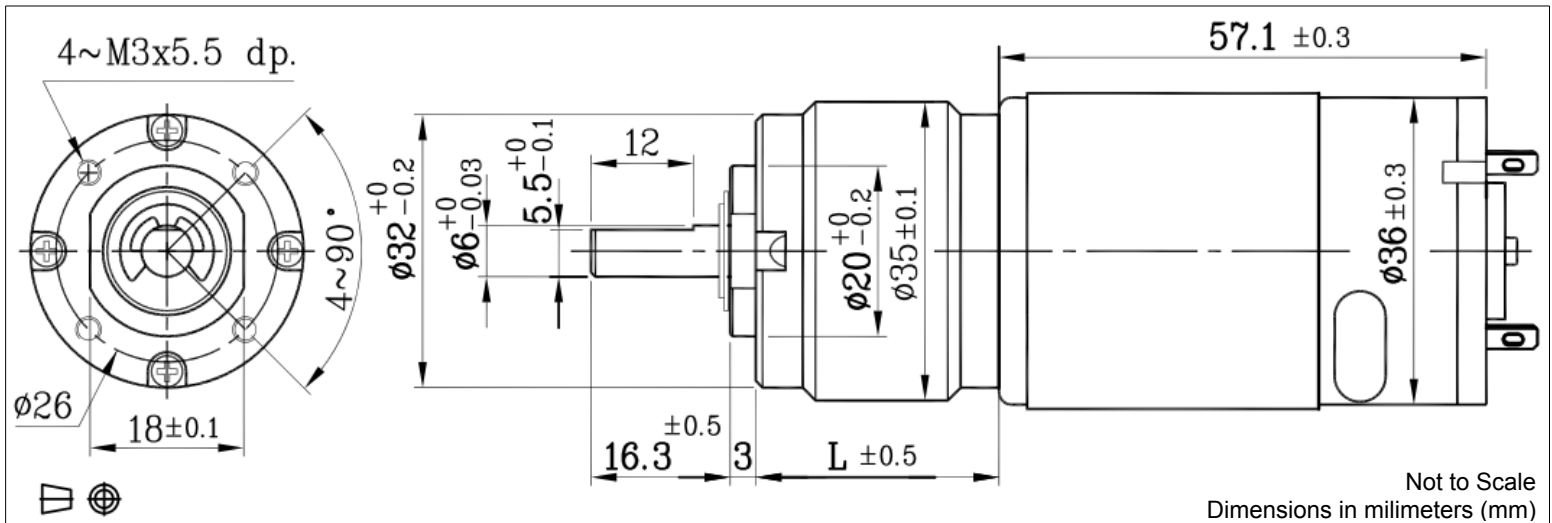


# Planetary Gearmotor - 36 mm Ø



12 Watts Plus - Sleeve Bearing - 12 Volt DC

Global Motion Products



Ratio	Voltage Volts	Gearbox Efficiency %	No Load Speed rpm	Gearmotor No Load Current A	Stall Torque Nm	Continuous Torque Nm	Length L mm	Gearmotor Mass grams	Direction of Rotation*	Order Part Number
3.7:1	12.0	80 %	1,482 rpm	0.375 Amp	0.60 Nm	70.12 Nm	22.1 mm	329.0	Same	A360004GM00
5.2:1	12.0	80 %	1,185 rpm	0.375 Amp	0.75 Nm	98.07 Nm	22.1 mm	329.0	Same	A360005GM00
13.7:1	12.0	70 %	423 rpm	0.375 Amp	1.84 Nm	235.36 Nm	28.5 mm	363.0	Same	A360014GM00
19.2:1	12.0	70 %	312 rpm	0.375 Amp	2.49 Nm	323.62 Nm	28.5 mm	363.0	Same	A360019GM00
26.9:1	12.0	70 %	219 rpm	0.375 Amp	3.54 Nm	323.62 Nm	34.9 mm	397.0	Same	A360027GM00
50.9:1	12.0	70 %	116 rpm	0.375 Amp	6.69 Nm	745.31 Nm	34.9 mm	397.0	Same	A360051GM00
71.2:1	12.0	60 %	83 rpm	0.375 Amp	7.99 Nm	784.53 Nm	34.9 mm	397.0	Same	A360071GM00
99.5:1	12.0	60 %	59 rpm	0.375 Amp	11.25 Nm	784.53 Nm	34.9 mm	397.0	Same	A360100GM00
139.1:1	12.0	60 %	43 rpm	0.375 Amp	15.64 Nm	980.66 Nm	34.9 mm	397.0	Same	A360139GM00
188.6:1	12.0	50 %	31 rpm	0.375 Amp	17.72 Nm	980.66 Nm	41.3 mm	431.0	Same	A360189GM00
263.7:1	12.0	50 %	22 rpm	0.375 Amp	24.75 Nm	1176.80 Nm	41.3 mm	431.0	Same	A360264GM00
515.6:1	12.0	50 %	11 rpm	0.375 Amp	48.38 Nm	1176.80 Nm	41.3 mm	431.0	Same	A360516GM00

Radial Load Rating	≤ 29.4 N	Radial Play	≤ 0.05 mm	Max Temperature Oper.	60°C
Radial Load Distance	10 mm	Axial Play	≤ 0.30 mm	Min Temperature Oper.	-10°C
Axial Load	≤ 24.5 N	Backlash	≤ 2.5 °	Relative Humidity Oper.	20% to 85%
Press Fit Force - Max	≤ 98.1 N				

### Options

Bearing Sleeve

**CAUTION: Stall Torque is a theoretical calculation- NOT a rating or maximum value. Continuous Torque is the lesser of the Gearbox Continuous Torque Rating or the Motor's Continuous Torque Rating at gearbox output shaft.**

Ball Bearings. Encoders. Coreless & Brushless motors. Leads. Connectors. Pinion/Gear Mounting. Lubricants. Motor windings, stack lengths. Gear material. Shaft modifications and component mounting.

\* Rotational Sense of Gearbox Output Shaft to Motor Shaft

Global Motion Products  
Distributed by:  
Precision Motion Distributors: (925) 803-9565  
Technical Support: (760) 451-2723  
<http://www.gmpwebsite.com> Email: [info@gmpwebsite.com](mailto:info@gmpwebsite.com)

Commutation Type:  
Metal Graphite

RoHS Compliant

C - May 2011

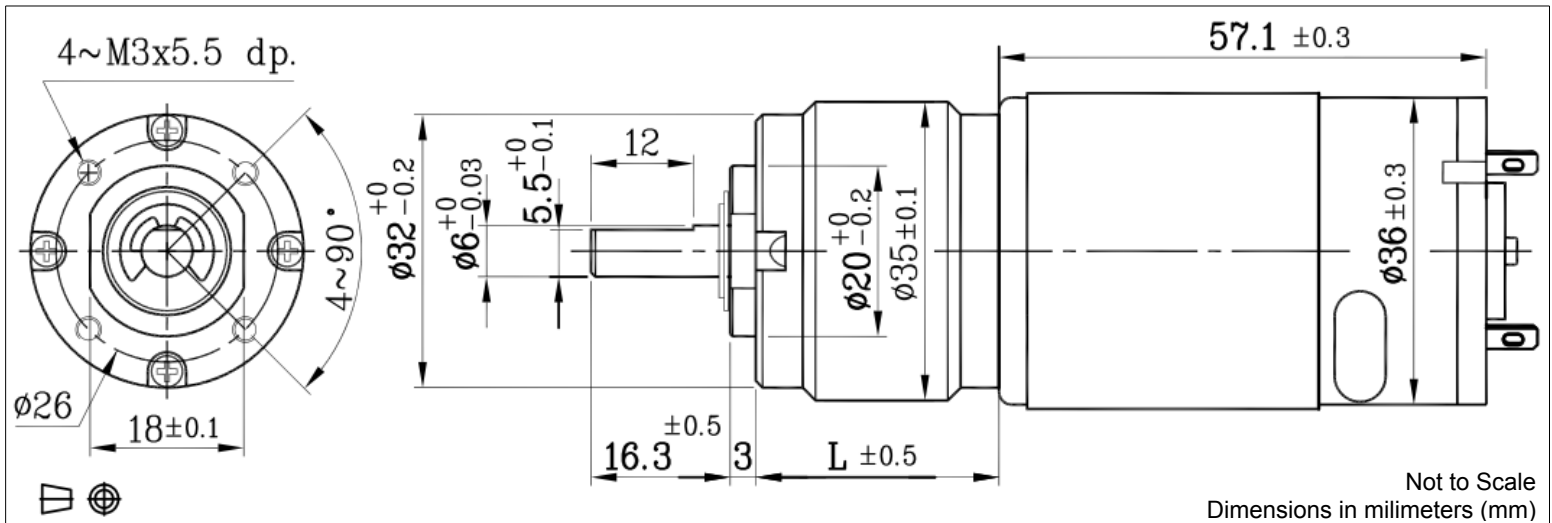
Specifications Subject to change without notice

# Planetary Gearmotor - 36 mm Ø



12 Watts Plus - Sleeve Bearing - 12 Volt DC

Global Motion Products



Ratio	Voltage Volts	Gearbox Efficiency %	No Load Speed rpm	Gearmotor No Load Current A	Stall Torque Nm	Continuous Torque Nm	Length L mm	Gearmotor Mass grams	Direction of Rotation*	Order Part Number
721.0:1	12.0	50 %	8 rpm	0.375 Amp	67.60 Nm	1176.80 Nm	41.3 mm	431.0	Same	A360721GM00

Radial Load Rating	≤ 29.4 N	Radial Play	≤ 0.05 mm	Max Temperature Oper.	60°C
Radial Load Distance	10 mm	Axial Play	≤ 0.30 mm	Min Temperature Oper.	-10°C
Axial Load	≤ 24.5 N	Backlash	≤ 2.5 °	Relative Humidity Oper.	20% to 85%
Press Fit Force - Max	≤ 98.1 N				

### Options

Bearing Sleeve

**CAUTION: Stall Torque is a theoretical calculation- NOT a rating or maximum value. Continuous Torque is the lesser of the Gearbox Continuous Torque Rating or the Motor's Continuous Torque Rating at gearbox output shaft.**

Ball Bearings. Encoders. Coreless & Brushless motors. Leads. Connectors. Pinion/Gear Mounting. Lubricants. Motor windings, stack lengths. Gear material. Shaft modifications and component mounting.

\* Rotational Sense of Gearbox Output Shaft to Motor Shaft

Global Motion Products  
Distributed by:  
Precision Motion Distributors: (925) 803-9565  
Technical Support: (760) 451-2723  
<http://www.gmpwebsite.com> Email: [info@gmpwebsite.com](mailto:info@gmpwebsite.com)

Commutation Type:  
Metal Graphite

RoHS Compliant

C - May 2011

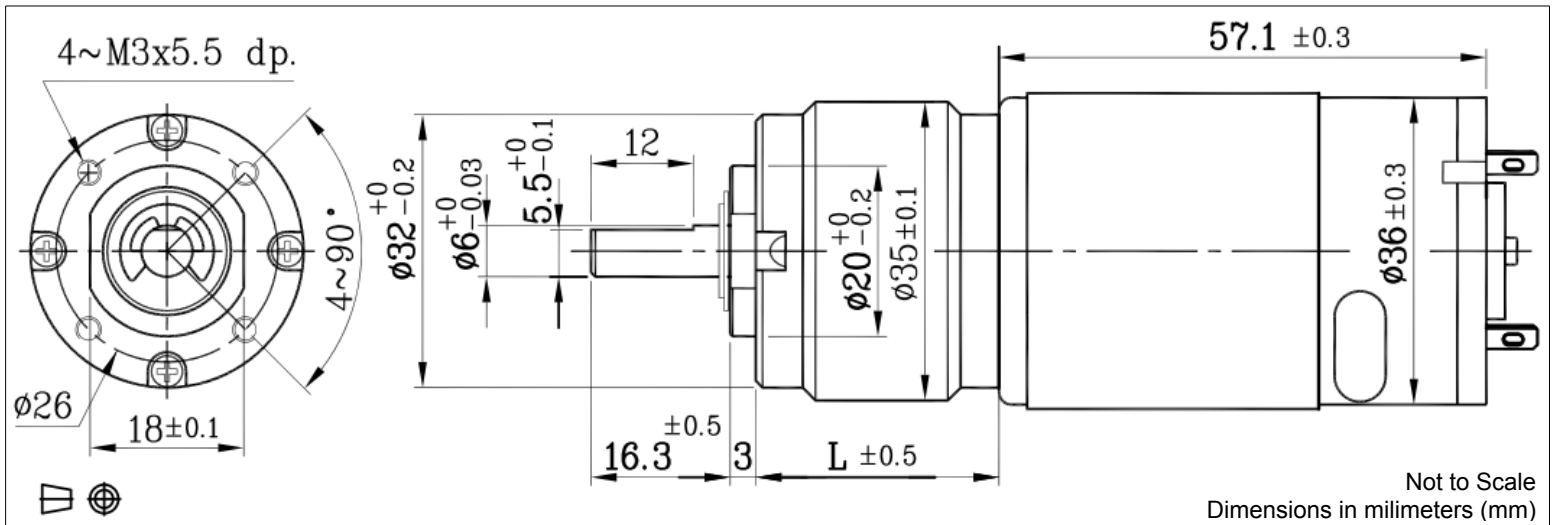
Specifications Subject to change without notice

# Planetary Gearmotor - 36 mm Ø



12 Watts Plus - Sleeve Bearing - 24 Volt DC

Global Motion Products



Ratio	Voltage Volts	Gearbox Efficiency %	No Load Speed rpm	Gearmotor No Load Current A	Stall Torque Nm	Continuous Torque Nm	Length L mm	Gearmotor Mass grams	Direction of Rotation*	Order Part Number
3.7:1	24.0	80 %	1,479 rpm	0.195 Amp	0.55 Nm	70.12 Nm	22.1 mm	329.0	Same	A360004GM20
5.2:1	24.0	80 %	1,183 rpm	0.195 Amp	0.68 Nm	98.07 Nm	22.1 mm	329.0	Same	A360005GM20
13.7:1	24.0	70 %	423 rpm	0.195 Amp	1.68 Nm	98.07 Nm	28.5 mm	363.0	Same	A360014GM20
19.2:1	24.0	70 %	311 rpm	0.195 Amp	2.28 Nm	323.62 Nm	28.5 mm	363.0	Same	A360019GM20
26.9:1	24.0	70 %	219 rpm	0.195 Amp	3.23 Nm	323.62 Nm	34.9 mm	397.0	Same	A360027GM20
50.9:1	24.0	70 %	116 rpm	0.195 Amp	6.11 Nm	745.31 Nm	34.9 mm	397.0	Same	A360051GM20
71.2:1	24.0	60 %	83 rpm	0.195 Amp	7.29 Nm	784.53 Nm	34.9 mm	397.0	Same	A360071GM20
99.5:1	24.0	60 %	59 rpm	0.195 Amp	10.27 Nm	980.66 Nm	34.9 mm	397.0	Same	A360100GM20
139.1:1	24.0	60 %	43 rpm	0.195 Amp	14.27 Nm	980.66 Nm	34.9 mm	397.0	Same	A360139GM20
188.6:1	24.0	50 %	31 rpm	0.195 Amp	16.17 Nm	1176.80 Nm	41.3 mm	431.0	Same	A360189GM20
263.7:1	24.0	50 %	22 rpm	0.195 Amp	22.59 Nm	1176.80 Nm	41.3 mm	431.0	Same	A360264GM20
515.6:1	24.0	50 %	11 rpm	0.195 Amp	44.15 Nm	1176.80 Nm	41.3 mm	431.0	Same	A360516GM20

Radial Load Rating ≤ 29.4 N  
 Radial Load Distance 10 mm  
 Axial Load ≤ 24.5 N  
 Press Fit Force - Max ≤ 98.1 N

Radial Play ≤ 0.05 mm  
 Axial Play ≤ 0.30 mm  
 Backlash ≤ 2.5 °

Max Temperature Oper. 60°C  
 Min Temperature Oper. -10°C  
 Relative Humidity Oper. 20% to 85%

**Options**

Magnetic Encoders. Ball Bearings. Leads. Connectors. Pinion/Gear Mounting. Lubricants. Motor Windings. Gear material. Alternative motors.

Bearing Sleeve

\* Rotational Sense of Gearbox Output Shaft to Motor Shaft

Global Motion Products  
 Distributed by:  
 Precision Motion Distributors: (925) 803-9565  
 Technical Support: (760) 451-2723  
<http://www.gmpwebsite.com> Email: [info@gmpwebsite.com](mailto:info@gmpwebsite.com)

Commutation Type:  
 Metal Graphite

**RoHS Compliant**

C - May 2011

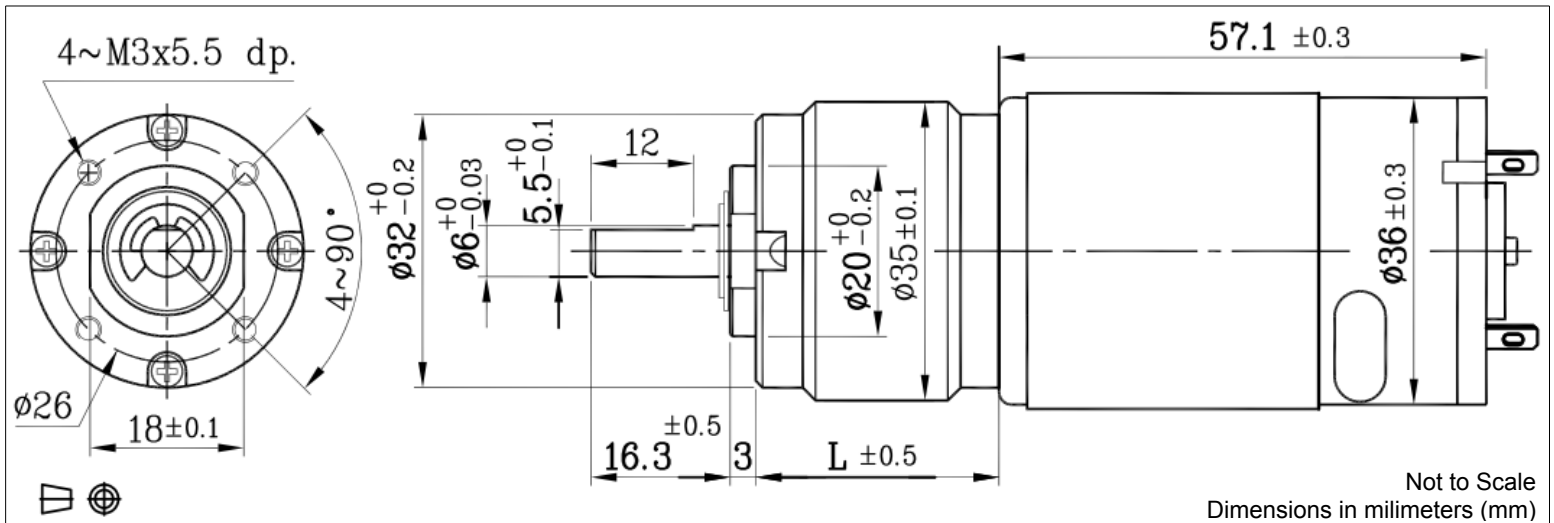
Specifications Subject to change without notice

# Planetary Gearmotor - 36 mm Ø



12 Watts Plus - Sleeve Bearing - 24 Volt DC

Global Motion Products



Ratio	Voltage Volts	Gearbox Efficiency %	No Load Speed rpm	Gearmotor No Load Current A	Stall Torque Nm	Continuous Torque Nm	Length L mm	Gearmotor Mass grams	Direction of Rotation*	Order Part Number
721.0:1	24.0	50 %	8 rpm	0.195 Amp	61.69 Nm	1176.80 Nm	41.3 mm	431.0	Same	A360721GM20

Radial Load Rating	≤ 29.4 N	Radial Play	≤ 0.05 mm	Max Temperature Oper.	60°C
Radial Load Distance	10 mm	Axial Play	≤ 0.30 mm	Min Temperature Oper.	-10°C
Axial Load	≤ 24.5 N	Backlash	≤ 2.5 °	Relative Humidity Oper.	20% to 85%
Press Fit Force - Max	≤ 98.1 N				

### Options

Magnetic Encoders. Ball Bearings. Leads. Connectors. Pinion/Gear Mounting. Lubricants. Motor Windings. Gear material. Alternative motors.

\* Rotational Sense of Gearbox Output Shaft to Motor Shaft

Global Motion Products  
Distributed by:  
Precision Motion Distributors: (925) 803-9565  
Technical Support: (760) 451-2723  
<http://www.gmpwebsite.com> Email: [info@gmpwebsite.com](mailto:info@gmpwebsite.com)

Commutation Type:  
Metal Graphite

C - May 2011

RoHS Compliant

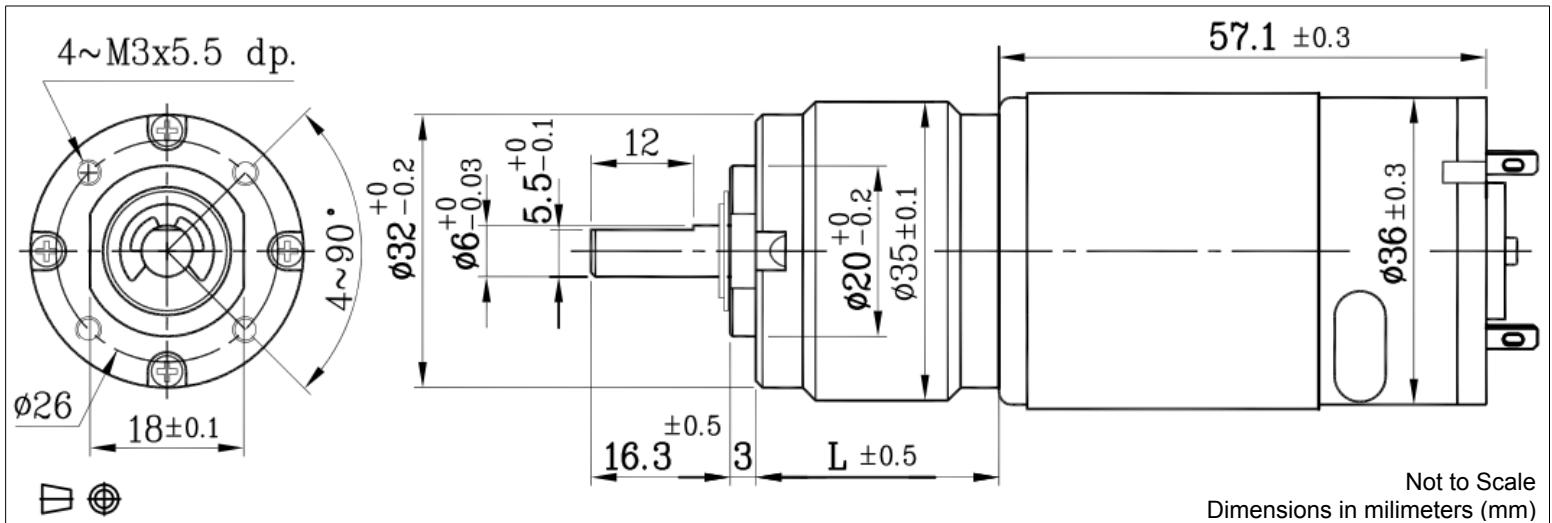
Specifications Subject to change without notice

# Planetary Gearmotor - 36 mm Ø



12 Watts Plus - Ball Bearing - 12 Volt DC

Global Motion Products



Ratio	Voltage Volts	Gearbox Efficiency %	No Load Speed rpm	Gearmotor No Load Current A	Stall Torque Nm	Continuous Torque Nm	Length L mm	Gearmotor Mass grams	Direction of Rotation*	Order Part Number
3.7:1	12.0	80 %	1,482 rpm	0.375 Amp	0.60 Nm	70.12 Nm	22.1 mm	328.0	Same	A360004GM10
5.2:1	12.0	80 %	1,185 rpm	0.375 Amp	0.75 Nm	98.07 Nm	22.1 mm	328.0	Same	A360005GM10
13.7:1	12.0	70 %	423 rpm	0.375 Amp	1.84 Nm	98.07 Nm	28.5 mm	362.0	Same	A360014GM10
19.2:1	12.0	70 %	312 rpm	0.375 Amp	2.49 Nm	323.62 Nm	28.5 mm	362.0	Same	A360019GM10
26.9:1	12.0	70 %	219 rpm	0.375 Amp	3.54 Nm	323.62 Nm	34.9 mm	396.0	Same	A360027GM10
50.9:1	12.0	60 %	116 rpm	0.375 Amp	5.74 Nm	745.31 Nm	34.9 mm	396.0	Same	A360051GM10
71.2:1	12.0	60 %	83 rpm	0.375 Amp	7.99 Nm	784.53 Nm	34.9 mm	396.0	Same	A360071GM10
99.5:1	12.0	60 %	59 rpm	0.375 Amp	11.25 Nm	980.66 Nm	34.9 mm	396.0	Same	A360100GM10
139.1:1	12.0	60 %	43 rpm	0.375 Amp	15.64 Nm	980.66 Nm	34.9 mm	396.0	Same	A360139GM10
188.6:1	12.0	50 %	31 rpm	0.375 Amp	17.72 Nm	980.66 Nm	41.3 mm	430.0	Same	A360189GM10
263.7:1	12.0	50 %	22 rpm	0.375 Amp	24.75 Nm	1176.80 Nm	41.3 mm	430.0	Same	A360264GM10
515.6:1	12.0	50 %	11 rpm	0.375 Amp	48.38 Nm	1176.80 Nm	41.3 mm	430.0	Same	A360516GM10

Radial Load Rating	≤ 34.3 N	Radial Play	≤ 0.04 mm	Max Temperature Oper.	60°C
Radial Load Distance	10 mm	Axial Play	≤ 0.30 mm	Min Temperature Oper.	-10°C
Axial Load	≤ 24.5 N	Backlash	≤ 2.5 °	Relative Humidity Oper.	20% to 85%
Press Fit Force - Max	≤ 98.1 N				

### Options

Bearing Ball

**CAUTION: Stall Torque is a theoretical calculation- NOT a rating or maximum value. Continuous Torque is the lesser of the Gearbox Continuous Torque Rating or the Motor's Continuous Torque Rating at gearbox output shaft.**

Encoders. Coreless & Brushless motors. Leads. Connectors. Pinion/Gear Mounting. Lubricants. Motor windings, stack lengths. Gear material. Shaft modifications and component mounting.

\* Rotational Sense of Gearbox Output Shaft to Motor Shaft

Global Motion Products  
Distributed by:  
Precision Motion Distributors: (925) 803-9565  
Technical Support: (760) 451-2723  
<http://www.gmpwebsite.com> Email: [info@gmpwebsite.com](mailto:info@gmpwebsite.com)

Commutation Type:  
Metal Graphite

RoHS Compliant

C - May 2011

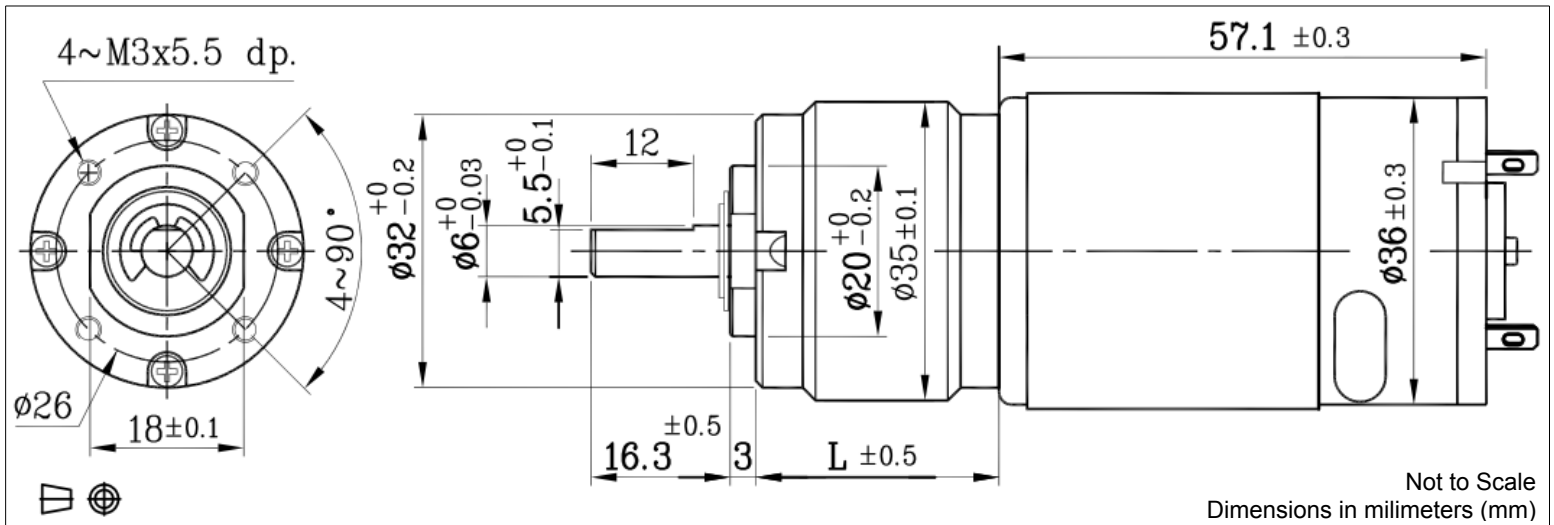
Specifications Subject to change without notice

# Planetary Gearmotor - 36 mm Ø



12 Watts Plus - Ball Bearing - 12 Volt DC

Global Motion Products



Ratio	Voltage Volts	Gearbox Efficiency %	No Load Speed rpm	Gearmotor No Load Current A	Stall Torque Nm	Continuous Torque Nm	Length L mm	Gearmotor Mass grams	Direction of Rotation*	Order Part Number
721.0:1	12.0	50 %	8 rpm	0.375 Amp	67.60 Nm	1176.80 Nm	41.3 mm	430.0	Same	A360721GM10

Radial Load Rating	≤ 34.3 N	Radial Play	≤ 0.04 mm	Max Temperature Oper.	60°C
Radial Load Distance	10 mm	Axial Play	≤ 0.30 mm	Min Temperature Oper.	-10°C
Axial Load	≤ 24.5 N	Backlash	≤ 2.5 °	Relative Humidity Oper.	20% to 85%
Press Fit Force - Max	≤ 98.1 N				

### Options

Bearing Ball

**CAUTION: Stall Torque is a theoretical calculation- NOT a rating or maximum value. Continuous Torque is the lesser of the Gearbox Continuous Torque Rating or the Motor's Continuous Torque Rating at gearbox output shaft.**

Encoders. Coreless & Brushless motors. Leads. Connectors. Pinion/Gear Mounting. Lubricants. Motor windings, stack lengths. Gear material. Shaft modifications and component mounting.

\* Rotational Sense of Gearbox Output Shaft to Motor Shaft

Global Motion Products  
Distributed by:  
Precision Motion Distributors: (925) 803-9565  
Technical Support: (760) 451-2723  
<http://www.gmpwebsite.com> Email: [info@gmpwebsite.com](mailto:info@gmpwebsite.com)

Commutation Type:  
Metal Graphite

RoHS Compliant

C - May 2011

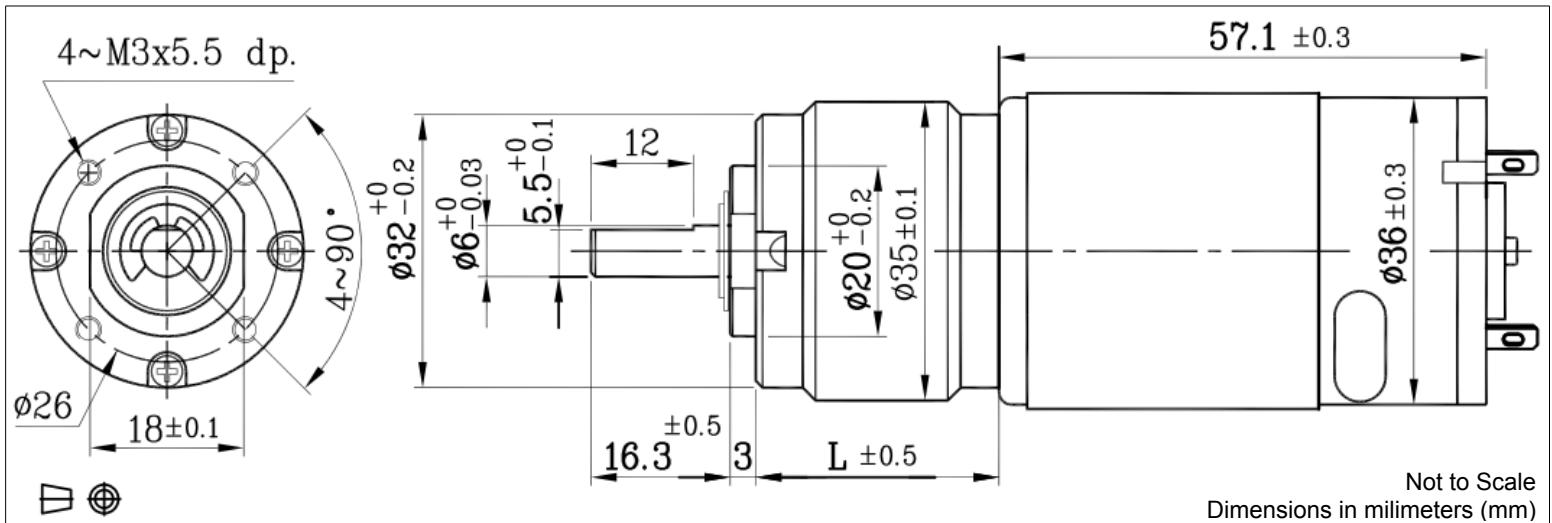
Specifications Subject to change without notice

# Planetary Gearmotor - 36 mm Ø



12 Watts Plus - Ball Bearing - 24 Volt DC

Global Motion Products



Ratio	Voltage Volts	Gearbox Efficiency %	No Load Speed rpm	Gearmotor No Load Current A	Stall Torque Nm	Continuous Torque Nm	Length L mm	Gearmotor Mass grams	Direction of Rotation*	Order Part Number
3.7:1	24.0	80 %	1,479 rpm	0.195 Amp	0.55 Nm	70.12 Nm	22.1 mm	328.0	Same	A360004GM30
5.2:1	24.0	80 %	1,183 rpm	0.195 Amp	0.68 Nm	98.07 Nm	22.1 mm	328.0	Same	A360005GM30
13.7:1	24.0	70 %	423 rpm	0.195 Amp	1.68 Nm	98.07 Nm	28.5 mm	362.0	Same	A360014GM30
19.2:1	24.0	70 %	311 rpm	0.195 Amp	2.28 Nm	323.62 Nm	28.5 mm	362.0	Same	A360019GM30
26.9:1	24.0	70 %	219 rpm	0.195 Amp	3.23 Nm	323.62 Nm	34.9 mm	396.0	Same	A360027GM30
50.9:1	24.0	60 %	116 rpm	0.195 Amp	5.24 Nm	745.31 Nm	34.9 mm	396.0	Same	A360051GM30
71.2:1	24.0	60 %	83 rpm	0.195 Amp	7.29 Nm	784.53 Nm	34.9 mm	396.0	Same	A360071GM30
99.5:1	24.0	60 %	59 rpm	0.195 Amp	10.27 Nm	980.66 Nm	34.9 mm	396.0	Same	A360100GM30
139.1:1	24.0	60 %	43 rpm	0.195 Amp	14.27 Nm	980.66 Nm	34.9 mm	396.0	Same	A360139GM30
188.6:1	24.0	50 %	31 rpm	0.195 Amp	16.17 Nm	1176.80 Nm	41.3 mm	430.0	Same	A360189GM30
263.7:1	24.0	50 %	22 rpm	0.195 Amp	22.59 Nm	1176.80 Nm	41.3 mm	430.0	Same	A360264GM30
515.6:1	24.0	50 %	11 rpm	0.195 Amp	44.15 Nm	1176.80 Nm	41.3 mm	430.0	Same	A360516GM30

Radial Load Rating ≤ 34.3 N  
 Radial Load Distance 10 mm  
 Axial Load ≤ 24.5 N  
 Press Fit Force - Max ≤ 98.1 N

Radial Play ≤ 0.04 mm  
 Axial Play ≤ 0.30 mm  
 Backlash ≤ 2.5 °

Max Temperature Oper. 60°C  
 Min Temperature Oper. -10°C  
 Relative Humidity Oper. 20% to 85%

### Options

Bearing Ball

**CAUTION: Stall Torque is a theoretical calculation- NOT a rating or maximum value. Continuous Torque is the lesser of the Gearbox Continuous Torque Rating or the Motor's Continuous Torque Rating at gearbox output shaft.**

Magnetic Encoders. Ball Bearings. Leads. Connectors. Pinion/Gear Mounting. Lubricants. Motor Windings. Gear material. Alternative motors.

\* Rotational Sense of Gearbox Output Shaft to Motor Shaft

Global Motion Products  
 Distributed by:  
 Precision Motion Distributors: (925) 803-9565  
 Technical Support: (760) 451-2723  
<http://www.gmpwebsite.com> Email: [info@gmpwebsite.com](mailto:info@gmpwebsite.com)

Commutation Type:  
 Metal Graphite

RoHS Compliant

C - May 2011

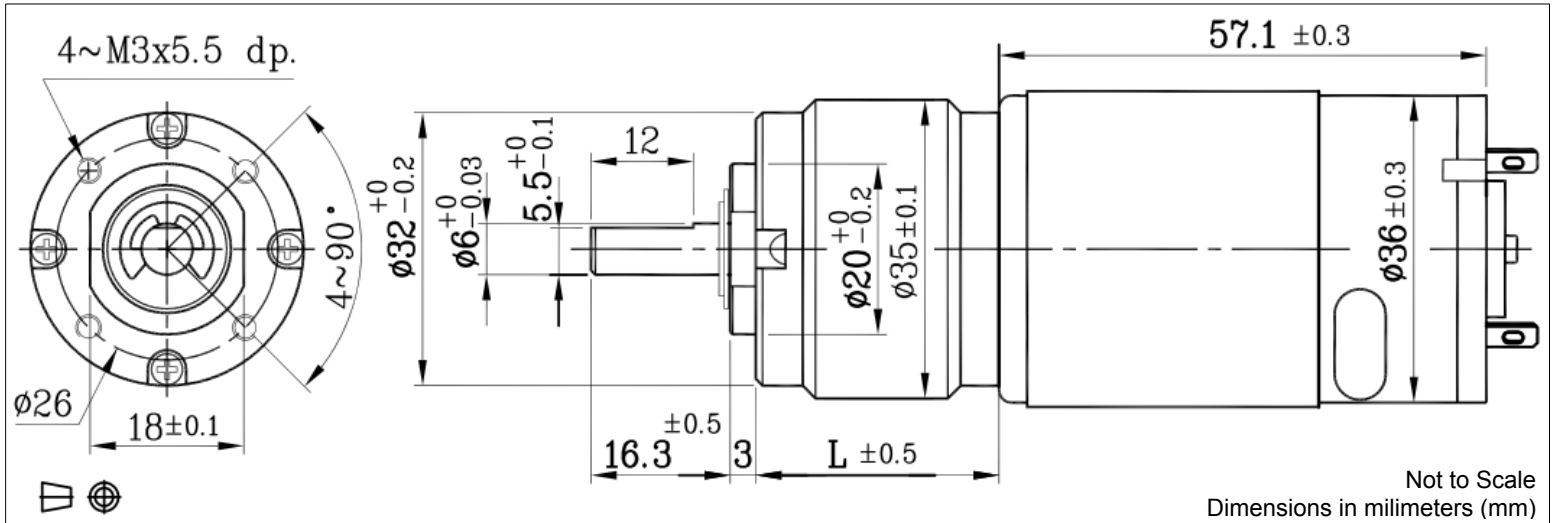
Specifications Subject to change without notice

# Planetary Gearmotor - 36 mm Ø



12 Watts Plus - Ball Bearing - 24 Volt DC

Global Motion Products



Ratio	Voltage Volts	Gearbox Efficiency %	No Load Speed rpm	Gearmotor No Load Current A	Stall Torque Nm	Continuous Torque Nm	Length L mm	Gearmotor Mass grams	Direction of Rotation*	Order Part Number
721.0:1	24.0	50 %	8 rpm	0.195 Amp	61.69 Nm	1176.80 Nm	41.3 mm	430.0	Same	A360721GM30

Radial Load Rating	≤ 34.3 N	Radial Play	≤ 0.04 mm	Max Temperature Oper.	60°C
Radial Load Distance	10 mm	Axial Play	≤ 0.30 mm	Min Temperature Oper.	-10°C
Axial Load	≤ 24.5 N	Backlash	≤ 2.5 °	Relative Humidity Oper.	20% to 85%
Press Fit Force - Max	≤ 98.1 N				

### Options

Bearing Ball

**CAUTION: Stall Torque is a theoretical calculation- NOT a rating or maximum value. Continuous Torque is the lesser of the Gearbox Continuous Torque Rating or the Motor's Continuous Torque Rating at gearbox output shaft.**

Magnetic Encoders. Ball Bearings. Leads. Connectors. Pinion/Gear Mounting. Lubricants. Motor Windings. Gear material. Alternative motors.

\* Rotational Sense of Gearbox Output Shaft to Motor Shaft

Global Motion Products  
Distributed by:  
Precision Motion Distributors: (925) 803-9565  
Technical Support: (760) 451-2723  
<http://www.gmpwebsite.com> Email: [info@gmpwebsite.com](mailto:info@gmpwebsite.com)

Commutation Type:  
Metal Graphite

RoHS Compliant

C - May 2011

Specifications Subject to change without notice



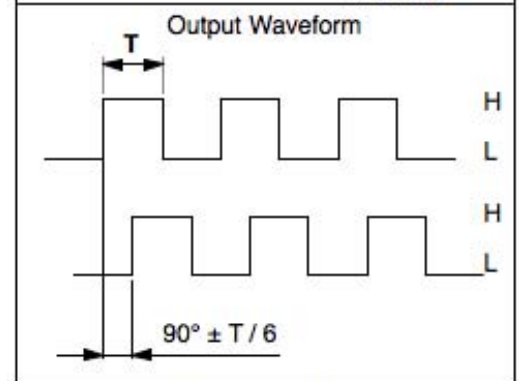
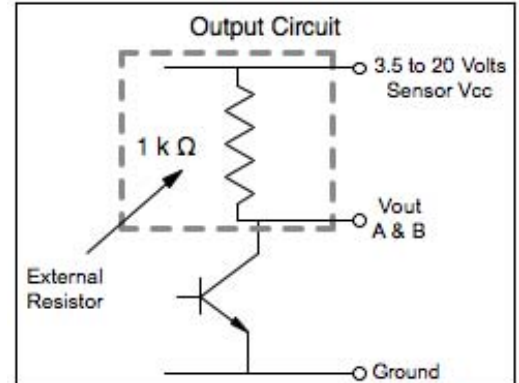
# Magnetic Encoders - Integrated

## Low Cost - Single & Quadrature Channels



Global Motion Products

Supply Voltage - Max	20.0 Volt
Supply Voltage - Min	3.5 Volt
Supply Voltage - Symbol	Vcc
Output Saturation Voltage - Max	700 mVolts
Output Saturation Voltage - Ref	300 mVolts
Output Saturation Voltage - Symbol	Vce(sat)
Output Saturation Voltage - Test Conditions	Vcc = 14 Volts; Ic = 20mA
Output Leakage Current - Max	10.0 µAmp
Output Leakage Current - Ref	< 0.1 µAmp
Output Leakage Current - Symbol	Icex
Output Leakage Current - Test Conditions	Vce = 14 Volts; Vcc = 14 V
Supply Current - Max	10 mAmp
Supply Current - Ref	5 mAmp
Supply Current - Symbol	Ice
Supply Current - Test Conditions	Vcc = 20 Volts, Output Open
Output Rise Time - Max	1.5 µSec
Output Rise Time - Ref	0.3 µSec
Output Rise Time - Symbol	tr
Output Rise Time - Test Condition	Vce = 14 Volts; RI = 820 Ω; CI = 20pF
Output Fall Time - Max	1.5 µSec
Output Fall Time - Ref	0.3 µSec
Output Fall Time - Symbol	tf
Output Fall Time - Test Conditions	Vce = 14 Volts; RI = 820 Ω; CI = 20pF
Max Temperature - Operating	60°C
Min Temperature - Operating	-10°C
Relative Humidity - Operating	20% to 85% RH



### Two Channel Encoder

Connector Pin	Color	Function
1	Black	- Motor
2	Red	+ Motor
3	Brown	Hall Sensor Vcc
4	Green	Hall Sensor Ground
5	Blue	Hall Sensor A Vout
6	Purple	Hall Sensor B Vout

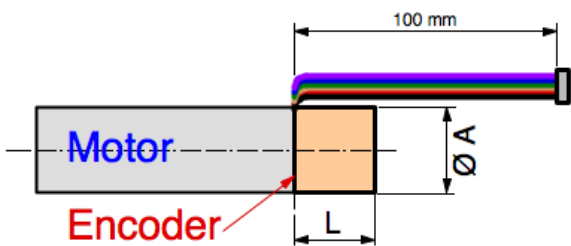
### One Channel Encoder

Connector Pin	Color	Function
1	Black	- Motor
2	Red	+ Motor
3	Brown	Hall Sensor Vcc
4	Green	Hall Sensor Ground
5	Blue	Hall Sensor A Vout
6	Purple	No Function

CONNECTOR A  
JST ZHR-6, P=1.5-6P  
26 AWG, UL 1061 Wires

CONNECTOR B  
JST PHR-6; P=2.0-6P  
24 AWG, UL 1007 Wires

CONNECTORS C - Two  
JST PHR-4; P=2.0-6P  
24 AWG, UL 1007 Wires  
Molex 09-50-3021; P= 3.96-2P  
18 AWG 18, UL 1007 Wires



#### Note:

For encoder resolution and channel options, how to order, diameter and encoder length details refer to the following pages. Resolution options vary by motor diameter, as do connector(s) and wire gauge(s).

Below 30 mm motor diameter the magnetic encoder does not have the option for a dust cap at this time. The encoder is exposed and the dimensions represent the largest dimension of the encoder. On 30 mm and larger diameter motors an OPTIONAL Dust Cap is available. Part Numbers here represent no Dust Cap.

Global Motion Products

Distributed by:

Precision Motion Distributors: (925) 803-9565

Technical Support: (760) 451-2723

http://www.gmpwebsite.com Email: info@gmpwebsite.com Preliminary - 03-2011

RoHS Compliant

Specifications Subject to change without notice

# Magnetic Encoders - Integrated



Low Cost - Single & Quadrature Channels

Global Motion Products

Pulses per Revolution per Track	Track Number	Dust Cap Option	Cover ØA mm	Cover or Encoder L - mm	Connector Type(s)	Compatible Gearmotor Series	Order Part Number
1	X	No	12.0	6.5	A	A12----GM--	EM120001X00
3	X	No	12.0	6.5	A	A12----GM--	EM120003X00
1	X	No	15.4	6.5	A	A16----AS--	EM160001X00
3	X	No	15.4	6.5	A	A16----AS--	EM160003X00
1	X	No	20.3	8.5	B	S20----AM--; A22----GM--; A22----HM--	EM210001X00
3	X	No	20.3	8.5	B	S20----AM--; A22----GM--; A22----HM--	EM210003X00
1	X	Yes	30.0	12.6	B	A30----GM--	EM300001X00
3	X	Yes	30.0	12.6	B	A30----GM--	EM300003X00
7	X	Yes	30.0	12.6	B	A30----GM--	EM300007X00
7	X	Yes	32.0	14.3	B	A32----GM--	EM320007X00
7	X	Yes	36.0	13.5	B	A36----GM--	EM360007X00
1	X	Yes	42.5	15.5	C	A45----A---	EM430001X00
5	X	Yes	42.5	15.5	C	A45----A---	EM430005X00
1	X	Yes	52.0	18.0	C	A52----GM--	EM520001X00
1	X	Yes	52.0	18.0	C	A52----GM--	EM520001X00
5	X	Yes	54.0	18.0	C	A54----GM--	EM540005X00
5	X	Yes	54.0	18.0	C	A54----GM--	EM540005X00
1	X & Y	No	12.0	6.5	A	A12----GM--	EM120001Y00
3	X & Y	No	12.0	6.5	A	A12----GM--	EM120003Y00
1	X & Y	No	15.4	6.5	A	A16----AS--	EM160001Y00
3	X & Y	No	15.4	6.5	A	A16----AS--	EM160003Y00
1	X & Y	No	20.3	8.5	B	S20----AM--; A22----GM--; A22----HM--	EM210001Y00
3	X & Y	No	20.3	8.5	B	S20----AM--; A22----GM--; A22----HM--	EM210003Y00
1	X & Y	Yes	30.0	12.6	B	A30----GM--	EM300001Y00
3	X & Y	Yes	30.0	12.6	B	A30----GM--	EM300003Y00
7	X & Y	Yes	30.0	12.6	B	A30----GM--	EM300007Y00
7	X & Y	Yes	32.0	14.3	B	A32----GM--	EM320007Y00
7	X & Y	Yes	36.0	13.5	B	A36----GM--	EM360007Y00
1	X & Y	Yes	42.5	15.5	C	A45----A---	EM430001Y00
5	X & Y	Yes	42.5	15.5	C	A45----A---	EM430005Y00
1	X & Y	Yes	52.0	18.0	C	A52----GM--	EM520001Y00
1	X & Y	Yes	52.0	18.0	C	A52----GM--	EM520005Y00
5	X & Y	Yes	54.0	18.0	C	A54----GM--	EM540001Y00
5	X & Y	Yes	54.0	18.0	C	A54----GM--	EM540005Y00

Global Motion Products

Distributed by:

Precision Motion Distributors: (925) 803-9565

Technical Support: (760) 451-2723

<http://www.gmpwebsite.com> Email: [info@gmpwebsite.com](mailto:info@gmpwebsite.com)

Preliminary - 03-2011

Specifications Subject to change without notice

RoHS Compliant