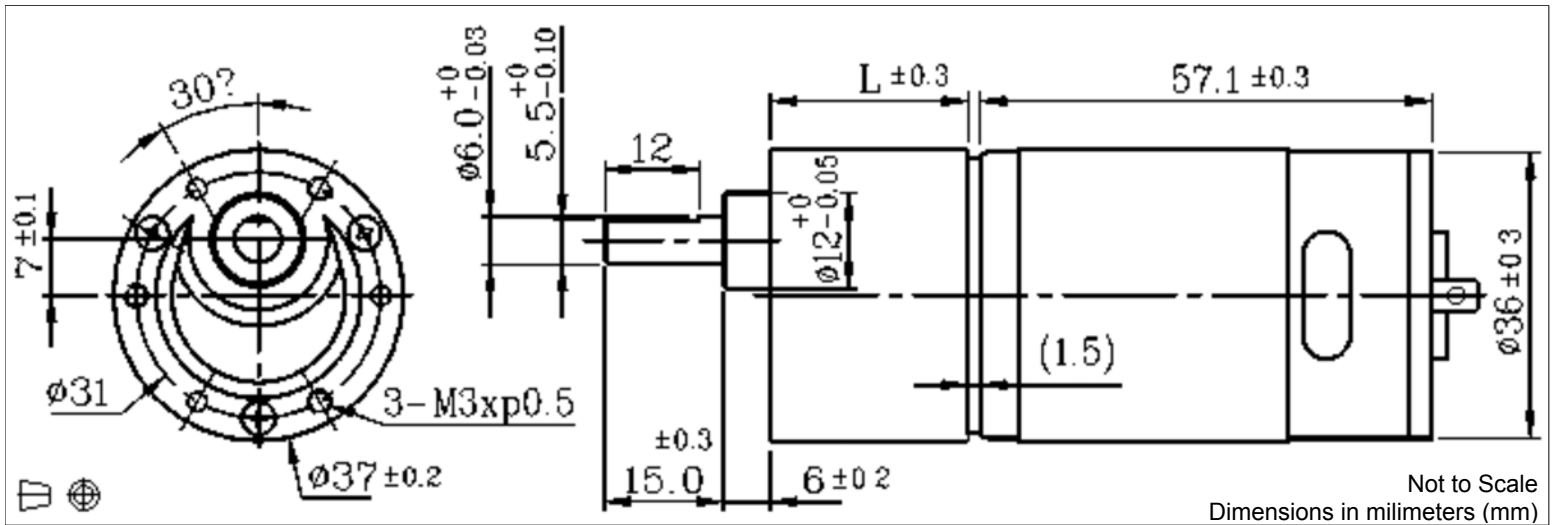


Spur Gearmotor - 38 mm Ø



12 Volt Integer Ratio - 12 Plus Watts

Global Motion Products



Ratio	Voltage Volts	Gearbox Efficiency %	No Load Speed rpm	Gearmotor No Load Current A	Stall Torque Nm	Continuous Torque Nm	Length L mm	Gearmotor Mass grams	Direction of Rotation*	Order Part Number
6.0:1	12.0	81 %	988 rpm	0.360 Amp	0.87 Nm	0.06 Nm	19.5 mm	306.0	Same	S380006GM00
10.0:1	12.0	81 %	593 rpm	0.360 Amp	1.45 Nm	0.10 Nm	19.5 mm	306.0	Same	S380010GM00
18.0:1	12.0	73 %	329 rpm	0.360 Amp	2.36 Nm	0.10 Nm	22.0 mm	273.0	Opposite	S380030GM00
30.0:1	12.0	73 %	198 rpm	0.360 Amp	3.93 Nm	0.20 Nm	22.0 mm	273.0	Opposite	S380018GM00
50.0:1	12.0	73 %	119 rpm	0.360 Amp	6.55 Nm	0.29 Nm	24.5 mm	320.0	Opposite	S380050GM00
60.0:1	12.0	66 %	99 rpm	0.360 Amp	7.11 Nm	0.29 Nm	24.5 mm	320.0	Same	S380060GM00
70.0:1	12.0	66 %	85 rpm	0.360 Amp	8.29 Nm	0.36 Nm	24.5 mm	320.0	Same	S380070GM00
75.0:1	12.0	66 %	79 rpm	0.360 Amp	8.89 Nm	0.39 Nm	24.5 mm	320.0	Same	S380075GM00
90.0:1	12.0	66 %	66 rpm	0.360 Amp	10.66 Nm	0.39 Nm	24.5 mm	320.0	Same	S380090GM00
100.0:1	12.0	66 %	59 rpm	0.360 Amp	11.85 Nm	0.39 Nm	24.5 mm	320.0	Opposite	S380100GM00
120.0:1	12.0	59 %	49 rpm	0.360 Amp	12.71 Nm	0.59 Nm	27.0 mm	326.0	Same	S380120GM00
150.0:1	12.0	59 %	40 rpm	0.360 Amp	15.89 Nm	0.59 Nm	27.0 mm	326.0	Opposite	S380150GM00

Radial Load Rating ≤ 9.8 N
 Radial Load Distance 10 mm
 Axial Load ≤ 6.9 N
 Press Fit Force - Max ≤ 196.1 N

Radial Play ≤ 0.05 mm
 Axial Play ≤ 0.35 mm
 Backlash ≤ 2.0 °

Max Temperature Oper. -10°C
 Min Temperature Oper. 60°C
 Relative Humidity Oper. 20% to 85%

Options

Bearing Sleeve

CAUTION. Stall Torque is a theoretical calculation- NOT a rating/maximum value. Continuous Torque is the lesser of the Gearbox Continuous Torque Rating or the Motor's Continuous Torque Rating at gearbox output shaft.

Magnetic Encoders. Helical and Plastic Gears. Ball Bearings. Leads. Connectors. Pinion/Gear Mounting. Lubricants. Motor Windings. Gear material. Coreless, Brushless and Stepper Motors.

* Rotational Sense of Gearbox Output Shaft to Motor Shaft

Global Motion Products
 Distributed by:
 Precision Motion Distributors: (925) 803-9565
 Technical Support: (760) 451-2723
<http://www.gmpwebsite.com> Email: info@gmpwebsite.com

Commutation Type:
 Metal Graphite

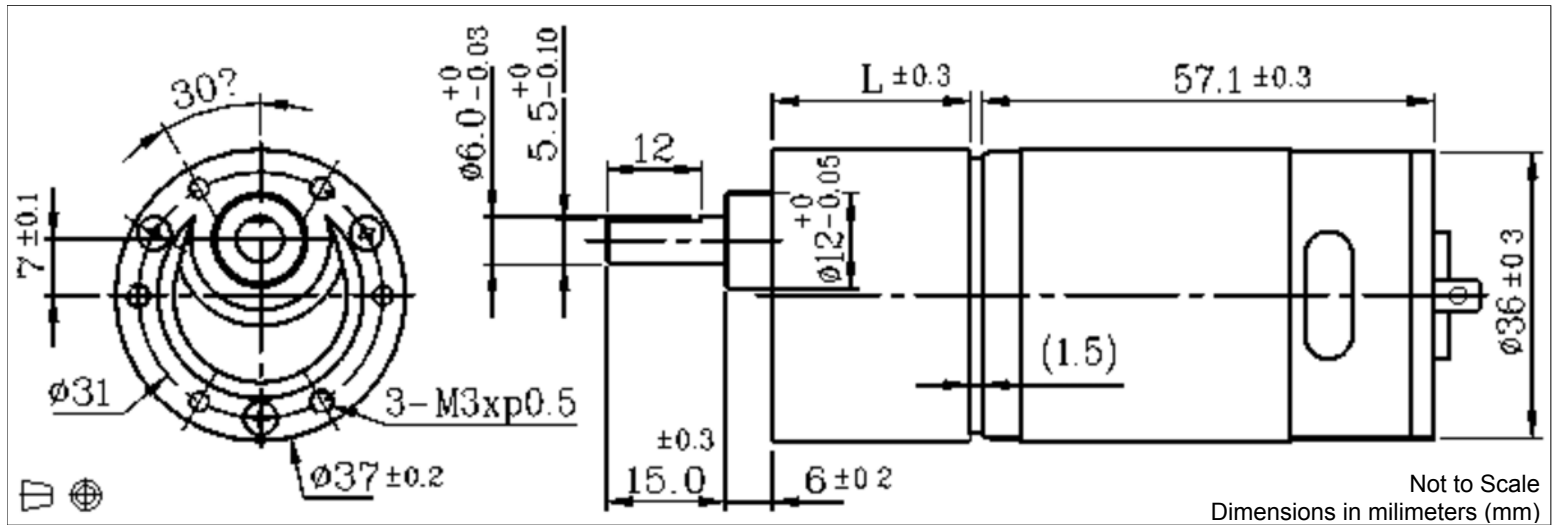
RoHS Compliant

Spur Gearmotor - 38 mm Ø



12 Volt Integer Ratio - 12 Plus Watts

Global Motion Products



Ratio	Voltage Volts	Gearbox Efficiency %	No Load Speed rpm	Gearmotor No Load Current A	Stall Torque Nm	Continuous Torque Nm	Length L mm	Gearmotor Mass grams	Direction of Rotation*	Order Part Number
180.0:1	12.0	59 %	33 rpm	0.360 Amp	19.07 Nm	0.59 Nm	27.0 mm	326.0	Opposite	S380180GM00
200.0:1	12.0	59 %	30 rpm	0.360 Amp	21.18 Nm	0.59 Nm	27.0 mm	326.0	Opposite	S380200GM00
250.0:1	12.0	59 %	24 rpm	0.360 Amp	26.48 Nm	0.59 Nm	27.0 mm	326.0	Opposite	S380250GM00
300.0:1	12.0	59 %	20 rpm	0.360 Amp	31.78 Nm	0.59 Nm	27.0 mm	326.0	Opposite	S380300GM00
350.0:1	12.0	53 %	17 rpm	0.360 Amp	33.30 Nm	0.59 Nm	29.5 mm	332.0	Same	S380350GM00
400.0:1	12.0	53 %	15 rpm	0.360 Amp	38.06 Nm	0.59 Nm	29.5 mm	332.0	Same	S380400GM00
450.0:1	12.0	53 %	13 rpm	0.360 Amp	42.82 Nm	0.59 Nm	29.5 mm	332.0	Same	S380450GM00
500.0:1	12.0	53 %	12 rpm	0.360 Amp	47.58 Nm	0.59 Nm	29.5 mm	332.0	Same	S380500GM00
600.0:1	12.0	53 %	10 rpm	0.360 Amp	57.09 Nm	0.59 Nm	29.5 mm	332.0	Same	S380600GM00
700.0:1	12.0	53 %	8 rpm	0.360 Amp	66.61 Nm	0.59 Nm	29.5 mm	332.0	Same	S380700GM00
750.0:1	12.0	53 %	8 rpm	0.360 Amp	71.36 Nm	0.59 Nm	29.5 mm	332.0	Same	S380750GM00
900.0:1	12.0	53 %	7 rpm	0.360 Amp	85.64 Nm	0.59 Nm	29.5 mm	332.0	Same	S380900GM00

Radial Load Rating	≤ 9.8 N	Radial Play	≤ 0.05 mm	Max Temperature Oper.	-10°C
Radial Load Distance	10 mm	Axial Play	≤ 0.35 mm	Min Temperature Oper.	60°C
Axial Load	≤ 6.9 N	Backlash	≤ 2.0 °	Relative Humidity Oper.	20% to 85%
Press Fit Force - Max	≤ 196.1 N				

Options

Bearing Sleeve

CAUTION. Stall Torque is a theoretical calculation- NOT a rating/maximum value. Continuous Torque is the lesser of the Gearbox Continuous Torque Rating or the Motor's Continuous Torque Rating at gearbox output shaft.

Magnetic Encoders. Helical and Plastic Gears. Ball Bearings. Leads. Connectors. Pinion/Gear Mounting. Lubricants. Motor Windings. Gear material. Coreless, Brushless and Stepper Motors.

* Rotational Sense of Gearbox Output Shaft to Motor Shaft

Global Motion Products
 Distributed by:
 Precision Motion Distributors: (925) 803-9565
 Technical Support: (760) 451-2723
<http://www.gmpwebsite.com> Email: info@gmpwebsite.com

Commutation Type:
 Metal Graphite

RoHS Compliant

A - June 2011

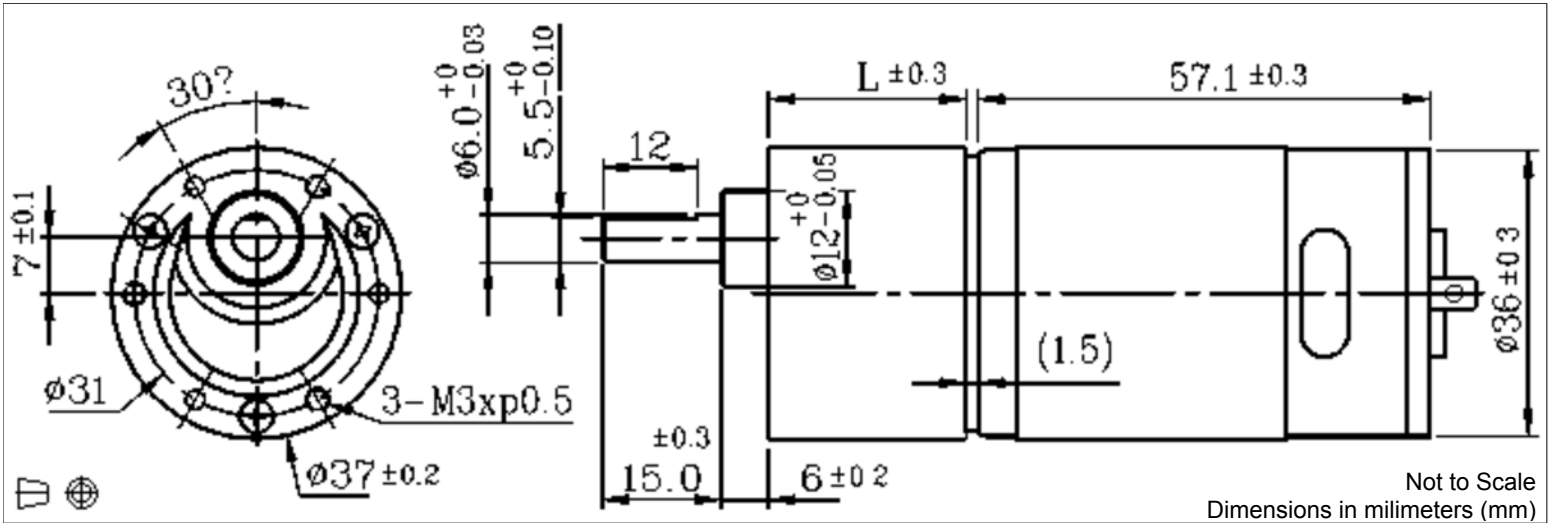
Specifications Subject to change without notice

Spur Gearmotor - 38 mm Ø



12 Volt Integer Ratio - 12 Plus Watts

Global Motion Products



Ratio	Voltage Volts	Gearbox Efficiency %	No Load Speed rpm	Gearmotor No Load Current A	Stall Torque Nm	Continuous Torque Nm	Length L mm	Gearmotor Mass grams	Direction of Rotation*	Order Part Number
1,000.0	12.0	53 %	6 rpm	0.360 Amp	95.15 Nm	0.59 Nm	29.5 mm	332.0	Opposite	S381000GM00
1,500.0	12.0	48 %	4 rpm	0.360 Amp	129.26 Nm	0.59 Nm	32.0 mm	340.0	Opposite	S381500GM00
3,000.0	12.0	48 %	2 rpm	0.360 Amp	258.53 Nm	0.59 Nm	32.0 mm	340.0	Opposite	S383000GM00

Radial Load Rating ≤ 9.8 N
 Radial Load Distance 10 mm
 Axial Load ≤ 6.9 N
 Press Fit Force - Max ≤ 196.1 N

Radial Play ≤ 0.05 mm
 Axial Play ≤ 0.35 mm
 Backlash ≤ 2.0 °

Max Temperature Oper. -10°C
 Min Temperature Oper. 60°C
 Relative Humidity Oper. 20% to 85%

Options

Bearing Sleeve

CAUTION. Stall Torque is a theoretical calculation- NOT a rating/maximum value. Continuous Torque is the lesser of the Gearbox Continuous Torque Rating or the Motor's Continuous Torque Rating at gearbox output shaft.

Magnetic Encoders. Helical and Plastic Gears. Ball Bearings. Leads. Connectors. Pinion/Gear Mounting. Lubricants. Motor Windings. Gear material. Coreless, Brushless and Stepper Motors.

* Rotational Sense of Gearbox Output Shaft to Motor Shaft

Global Motion Products
 Distributed by:
 Precision Motion Distributors: (925) 803-9565
 Technical Support: (760) 451-2723
<http://www.gmpwebsite.com> Email: info@gmpwebsite.com

Commutation Type:
 Metal Graphite

RoHS Compliant

A - June 2011

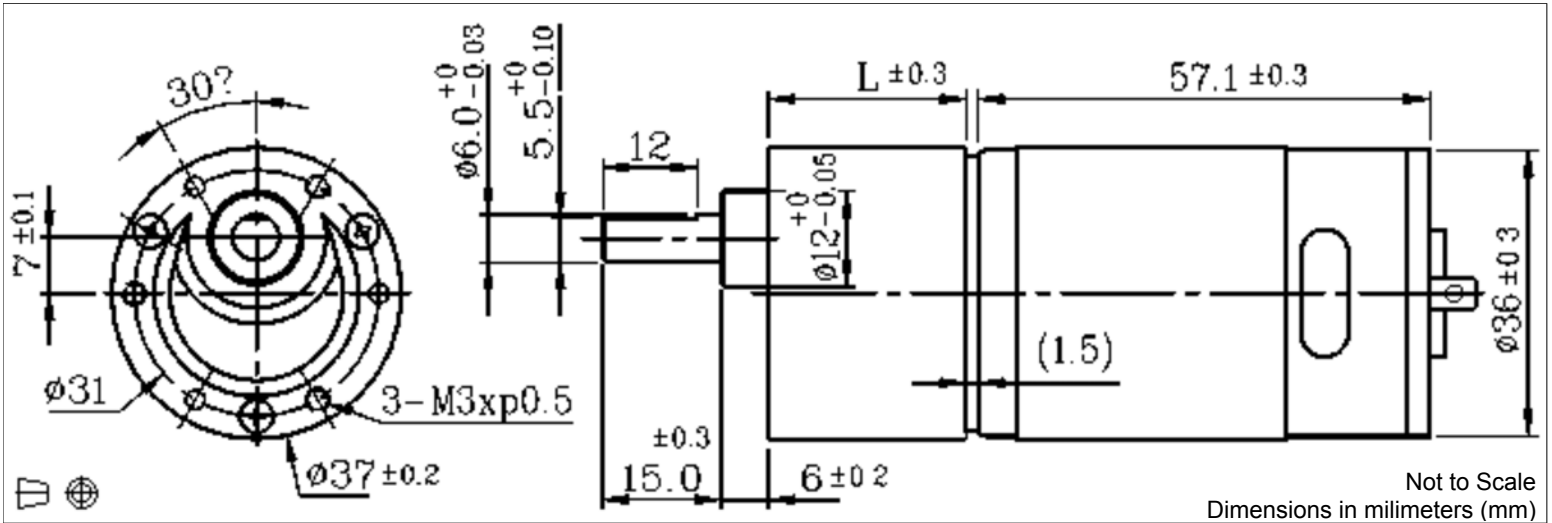
Specifications Subject to change without notice

Spur Gearmotor - 38 mm Ø



24 Volt Integer Ratio - 12 Plus Watts

Global Motion Products



Ratio	Voltage Volts	Gearbox Efficiency %	No Load Speed rpm	Gearmotor No Load Current A	Stall Torque Nm	Continuous Torque Nm	Length L mm	Gearmotor Mass grams	Direction of Rotation*	Order Part Number
6.0:1	24.0	81 %	985 rpm	0.200 Amp	0.83 Nm	0.06 Nm	19.5 mm	306.0	Same	S380006GM10
10.0:1	24.0	81 %	591 rpm	0.200 Amp	1.38 Nm	0.10 Nm	19.5 mm	306.0	Same	S380010GM10
18.0:1	24.0	73 %	328 rpm	0.200 Amp	2.25 Nm	0.10 Nm	22.0 mm	273.0	Opposite	S380030GM10
30.0:1	24.0	73 %	197 rpm	0.200 Amp	3.74 Nm	0.20 Nm	22.0 mm	273.0	Opposite	S380018GM10
50.0:1	24.0	73 %	118 rpm	0.200 Amp	6.24 Nm	0.29 Nm	24.5 mm	320.0	Opposite	S380050GM10
60.0:1	24.0	66 %	99 rpm	0.200 Amp	6.77 Nm	0.29 Nm	24.5 mm	320.0	Same	S380060GM10
70.0:1	24.0	66 %	84 rpm	0.200 Amp	7.90 Nm	0.36 Nm	24.5 mm	320.0	Same	S380070GM10
75.0:1	24.0	66 %	79 rpm	0.200 Amp	8.46 Nm	0.39 Nm	24.5 mm	320.0	Same	S380075GM10
90.0:1	24.0	66 %	66 rpm	0.200 Amp	10.15 Nm	0.39 Nm	24.5 mm	320.0	Same	S380090GM10
100.0:1	24.0	66 %	59 rpm	0.200 Amp	11.28 Nm	0.59 Nm	24.5 mm	320.0	Same	S380100GM10
120.0:1	24.0	59 %	49 rpm	0.200 Amp	12.10 Nm	0.59 Nm	27.0 mm	326.0	Opposite	S380120GM10
150.0:1	24.0	59 %	39 rpm	0.200 Amp	15.13 Nm	0.59 Nm	27.0 mm	326.0	Opposite	S380150GM10

Radial Load Rating ≤ 9.8 N
 Radial Load Distance 10 mm
 Axial Load ≤ 6.9 N
 Press Fit Force - Max ≤ 196.1 N

Radial Play ≤ 0.05 mm
 Axial Play ≤ 0.35 mm
 Backlash ≤ 2.0 °

Max Temperature Oper. -10°C
 Min Temperature Oper. 60°C
 Relative Humidity Oper. 20% to 85%

Options

Bearing Sleeve

CAUTION. Stall Torque is a theoretical calculation- NOT a rating/maximum value. Continuous Torque is the lesser of the Gearbox Continuous Torque Rating or the Motor's Continuous Torque Rating at gearbox output shaft.

Magnetic Encoders. Helical and Plastic Gears. Ball Bearings. Leads. Connectors. Pinion/Gear Mounting. Lubricants. Motor Windings. Gear material. Coreless, Brushless and Stepper Motors.

* Rotational Sense of Gearbox Output Shaft to Motor Shaft

Global Motion Products
 Distributed by:
 Precision Motion Distributors: (925) 803-9565
 Technical Support: (760) 451-2723
<http://www.gmpwebsite.com> Email: info@gmpwebsite.com

Commutation Type:
 Metal Graphite

RoHS Compliant

A - June 2011

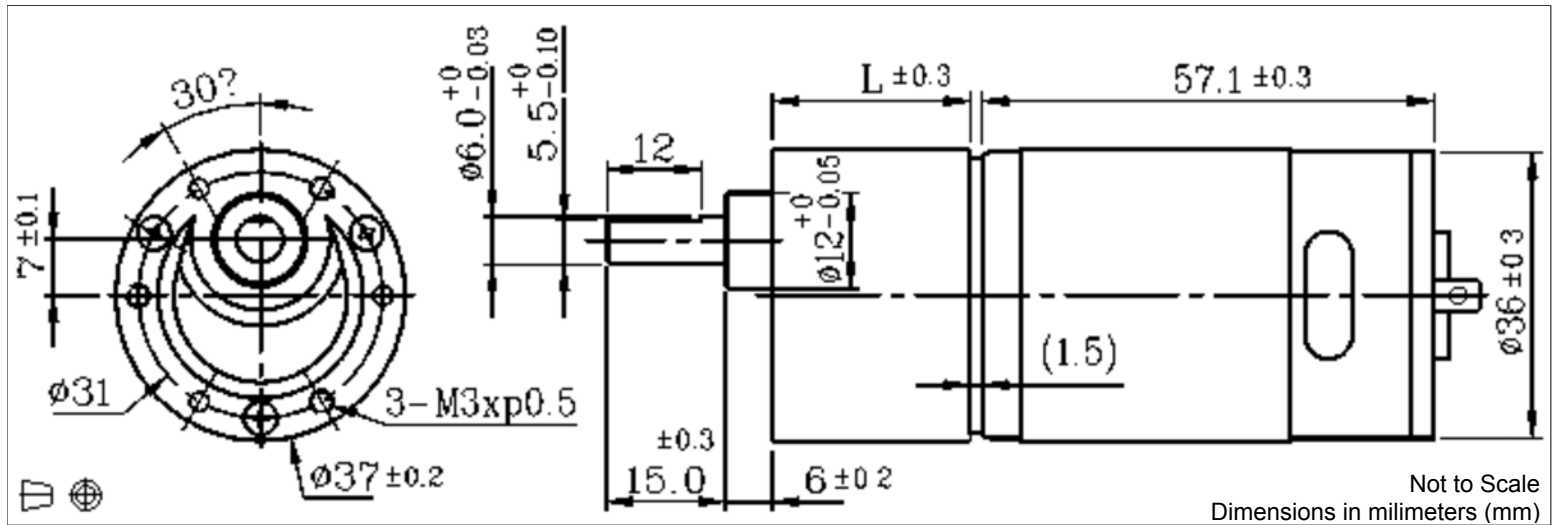
Specifications Subject to change without notice

Spur Gearmotor - 38 mm Ø



24 Volt Integer Ratio - 12 Plus Watts

Global Motion Products



Ratio	Voltage Volts	Gearbox Efficiency %	No Load Speed rpm	Gearmotor No Load Current A	Stall Torque Nm	Continuous Torque Nm	Length L mm	Gearmotor Mass grams	Direction of Rotation*	Order Part Number
180.0:1	24.0	59 %	33 rpm	0.200 Amp	18.15 Nm	0.59 Nm	27.0 mm	326.0	Opposite	S380180GM10
200.0:1	24.0	59 %	30 rpm	0.200 Amp	20.17 Nm	0.59 Nm	27.0 mm	326.0	Opposite	S380200GM10
250.0:1	24.0	59 %	24 rpm	0.200 Amp	25.21 Nm	0.59 Nm	27.0 mm	326.0	Opposite	S380250GM10
300.0:1	24.0	59 %	20 rpm	0.200 Amp	30.26 Nm	0.59 Nm	27.0 mm	326.0	Opposite	S380300GM10
350.0:1	24.0	53 %	17 rpm	0.200 Amp	31.71 Nm	0.59 Nm	29.5 mm	332.0	Same	S380350GM10
400.0:1	24.0	53 %	15 rpm	0.200 Amp	36.24 Nm	0.59 Nm	29.5 mm	332.0	Same	S380450GM10
450.0:1	24.0	53 %	13 rpm	0.200 Amp	40.77 Nm	0.59 Nm	29.5 mm	332.0	Same	S380400GM10
500.0:1	24.0	53 %	12 rpm	0.200 Amp	45.30 Nm	0.59 Nm	29.5 mm	332.0	Same	S380500GM10
600.0:1	24.0	53 %	10 rpm	0.200 Amp	54.36 Nm	0.59 Nm	29.5 mm	332.0	Same	S380600GM10
700.0:1	24.0	53 %	8 rpm	0.200 Amp	63.42 Nm	0.59 Nm	29.5 mm	332.0	Same	S380700GM10
750.0:1	24.0	53 %	8 rpm	0.200 Amp	67.95 Nm	0.59 Nm	29.5 mm	332.0	Same	S380750GM10
900.0:1	24.0	53 %	7 rpm	0.200 Amp	81.54 Nm	0.59 Nm	29.5 mm	332.0	Same	S380900GM10

Radial Load Rating ≤ 9.8 N
 Radial Load Distance 10 mm
 Axial Load ≤ 6.9 N
 Press Fit Force - Max ≤ 196.1 N

Radial Play ≤ 0.05 mm
 Axial Play ≤ 0.35 mm
 Backlash ≤ 2.0 °

Max Temperature Oper. -10°C
 Min Temperature Oper. 60°C
 Relative Humidity Oper. 20% to 85%

Options

Bearing Sleeve

CAUTION. Stall Torque is a theoretical calculation- NOT a rating/maximum value. Continuous Torque is the lesser of the Gearbox Continuous Torque Rating or the Motor's Continuous Torque Rating at gearbox output shaft.

Magnetic Encoders. Helical and Plastic Gears. Ball Bearings. Leads. Connectors. Pinion/Gear Mounting. Lubricants. Motor Windings. Gear material. Coreless, Brushless and Stepper Motors.

* Rotational Sense of Gearbox Output Shaft to Motor Shaft

Global Motion Products
 Distributed by:
 Precision Motion Distributors: (925) 803-9565
 Technical Support: (760) 451-2723
<http://www.gmpwebsite.com> Email: info@gmpwebsite.com

Commutation Type:
 Metal Graphite

RoHS Compliant

A - June 2011

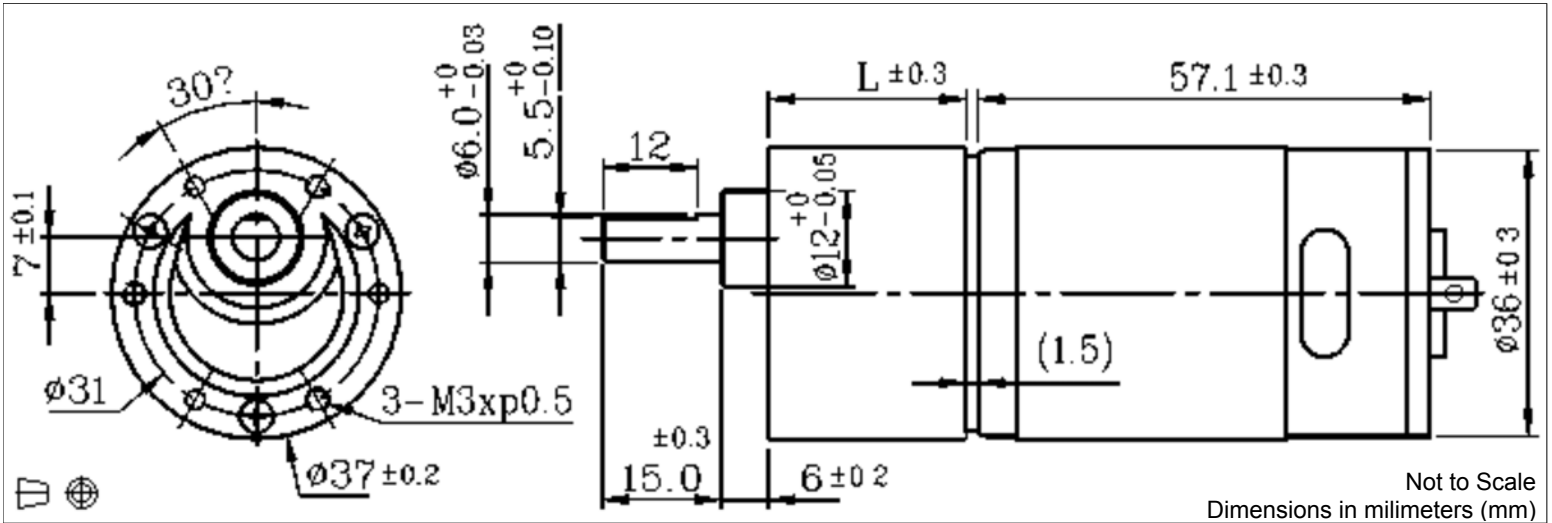
Specifications Subject to change without notice

Spur Gearmotor - 38 mm Ø



24 Volt Integer Ratio - 12 Plus Watts

Global Motion Products



Ratio	Voltage Volts	Gearbox Efficiency %	No Load Speed rpm	Gearmotor No Load Current A	Stall Torque Nm	Continuous Torque Nm	Length L mm	Gearmotor Mass grams	Direction of Rotation*	Order Part Number
1,000.0	24.0	53 %	6 rpm	0.200 Amp	90.60 Nm	0.59 Nm	29.5 mm	332.0	Opposite	S381000GM10
1,500.0	24.0	48 %	4 rpm	0.200 Amp	123.08 Nm	0.59 Nm	32.0 mm	340.0	Opposite	S381500GM10
3,000.0	24.0	48 %	2 rpm	0.200 Amp	246.17 Nm	0.59 Nm	32.0 mm	340.0	Opposite	S383000GM10

Radial Load Rating	≤ 9.8 N	Radial Play	≤ 0.05 mm	Max Temperature Oper.	-10°C
Radial Load Distance	10 mm	Axial Play	≤ 0.35 mm	Min Temperature Oper.	60°C
Axial Load	≤ 6.9 N	Backlash	≤ 2.0 °	Relative Humidity Oper.	20% to 85%
Press Fit Force - Max	≤ 196.1 N				

Options

Bearing Sleeve

CAUTION. Stall Torque is a theoretical calculation- NOT a rating/maximum value. Continuous Torque is the lesser of the Gearbox Continuous Torque Rating or the Motor's Continuous Torque Rating at gearbox output shaft.

Magnetic Encoders. Helical and Plastic Gears. Ball Bearings. Leads. Connectors. Pinion/Gear Mounting. Lubricants. Motor Windings. Gear material. Coreless, Brushless and Stepper Motors.

* Rotational Sense of Gearbox Output Shaft to Motor Shaft

Global Motion Products
Distributed by:
Precision Motion Distributors: (925) 803-9565
Technical Support: (760) 451-2723
<http://www.gmpwebsite.com> Email: info@gmpwebsite.com

Commutation Type:
Metal Graphite

RoHS Compliant

A - June 2011

Specifications Subject to change without notice

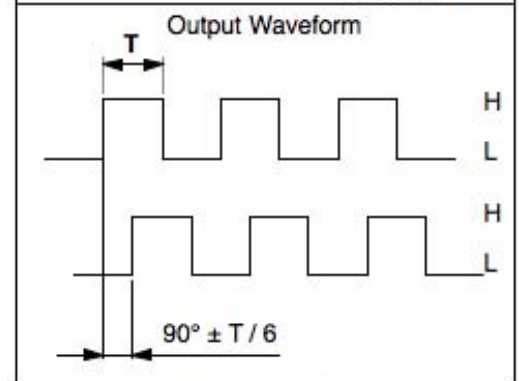
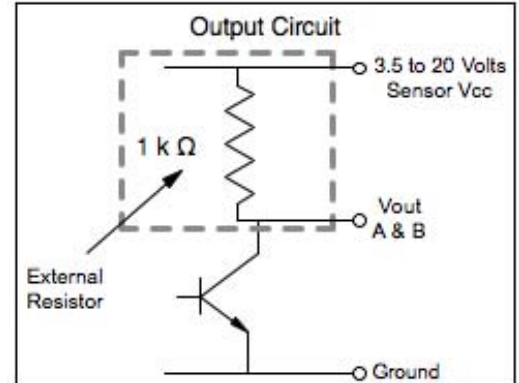
Magnetic Encoders - Integrated

Low Cost - Single & Quadrature Channels



Global Motion Products

Supply Voltage - Max	20.0 Volt
Supply Voltage - Min	3.5 Volt
Supply Voltage - Symbol	Vcc
Output Saturation Voltage - Max	700 mVolts
Output Saturation Voltage - Ref	300 mVolts
Output Saturation Voltage - Symbol	Vce(sat)
Output Saturation Voltage - Test Conditions	Vcc =14 Volts; Ic = 20mA
Output Leakage Current - Max	10.0 µAmp
Output Leakage Current - Ref	< 0.1 µAmp
Output Leakage Current - Symbol	Icex
Output Leakage Current - Test Conditions	Vce =14 Volts; Vcc = 14 V
Supply Current - Max	10 mAmp
Supply Current - Ref	5 mAmp
Supply Current - Symbol	Ice
Supply Current - Test Conditions	Vcc =20 Volts, Output Open
Output Rise Time - Max	1.5 µSec
Output Rise Time - Ref	0.3 µSec
Output Rise Time - Symbol	tr
Output Rise Time - Test Condition	Vce =14 Volts; RI = 820 Ω; CI = 20pF
Output Fall Time - Max	1.5 µSec
Output Fall Time - Ref	0.3 µSec
Output Fall Time - Symbol	tf
Output Fall Time - Test Conditions	Vce =14 Volts; RI = 820 Ω; CI = 20pF
Max Temperature - Operating	60°C
Min Temperature - Operating	-10°C
Relative Humidity - Operating	20% to 85% RH

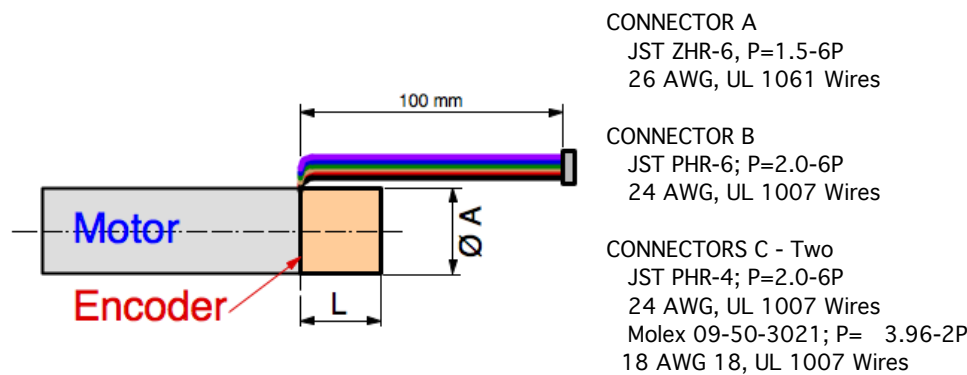


Two Channel Encoder

Connector Pin	Color	Function
1	Black	- Motor
2	Red	+ Motor
3	Brown	Hall Sensor Vcc
4	Green	Hall Sensor Ground
5	Blue	Hall Sensor A Vout
6	Purple	Hall Sensor B Vout

One Channel Encoder

Connector Pin	Color	Function
1	Black	- Motor
2	Red	+ Motor
3	Brown	Hall Sensor Vcc
4	Green	Hall Sensor Ground
5	Blue	Hall Sensor A Vout
6	Purple	No Function



Note:
For encoder resolution and channel options, how to order, diameter and encoder length details refer to the following pages. Resolution options vary by motor diameter, as do connector(s) and wire gauge(s).

Below 30 mm motor diameter the magnetic encoder does not have the option for a dust cap at this time. The encoder is exposed and the dimensions represent the largest dimension of the encoder. On 30 mm and larger diameter motors an OPTIONAL Dust Cap is available. Part Numbers here represent no Dust Cap.

Global Motion Products

Distributed by:

Precision Motion Distributors: (925) 803-9565

Technical Support: (760) 451-2723

http://www.gmpwebsite.com Email: info@gmpwebsite.com Preliminary - 03-2011

RoHS Compliant

Specifications Subject to change without notice

Magnetic Encoders - Integrated



Low Cost - Single & Quadrature Channels

Global Motion Products

Pulses per Revolution per Track	Track Number	Dust Cap Option	Cover ØA mm	Cover or Encoder L - mm	Connector Type(s)	Compatible Gearmotor Series	Order Part Number
1	X	No	12.0	6.5	A	A12----GM--	EM120001X00
3	X	No	12.0	6.5	A	A12----GM--	EM120003X00
1	X	No	15.4	6.5	A	A16----AS--	EM160001X00
3	X	No	15.4	6.5	A	A16----AS--	EM160003X00
1	X	No	20.3	8.5	B	S20----AM--; A22----GM--; A22----HM--	EM210001X00
3	X	No	20.3	8.5	B	S20----AM--; A22----GM--; A22----HM--	EM210003X00
1	X	Yes	30.0	12.6	B	A30----GM--	EM300001X00
3	X	Yes	30.0	12.6	B	A30----GM--	EM300003X00
7	X	Yes	30.0	12.6	B	A30----GM--	EM300007X00
7	X	Yes	32.0	14.3	B	A32----GM--	EM320007X00
7	X	Yes	36.0	13.5	B	A36----GM--	EM360007X00
1	X	Yes	42.5	15.5	C	A45----A---	EM430001X00
5	X	Yes	42.5	15.5	C	A45----A---	EM430005X00
1	X	Yes	52.0	18.0	C	A52----GM--	EM520001X00
1	X	Yes	52.0	18.0	C	A52----GM--	EM520001X00
5	X	Yes	54.0	18.0	C	A54----GM--	EM540005X00
5	X	Yes	54.0	18.0	C	A54----GM--	EM540005X00
1	X & Y	No	12.0	6.5	A	A12----GM--	EM120001Y00
3	X & Y	No	12.0	6.5	A	A12----GM--	EM120003Y00
1	X & Y	No	15.4	6.5	A	A16----AS--	EM160001Y00
3	X & Y	No	15.4	6.5	A	A16----AS--	EM160003Y00
1	X & Y	No	20.3	8.5	B	S20----AM--; A22----GM--; A22----HM--	EM210001Y00
3	X & Y	No	20.3	8.5	B	S20----AM--; A22----GM--; A22----HM--	EM210003Y00
1	X & Y	Yes	30.0	12.6	B	A30----GM--	EM300001Y00
3	X & Y	Yes	30.0	12.6	B	A30----GM--	EM300003Y00
7	X & Y	Yes	30.0	12.6	B	A30----GM--	EM300007Y00
7	X & Y	Yes	32.0	14.3	B	A32----GM--	EM320007Y00
7	X & Y	Yes	36.0	13.5	B	A36----GM--	EM360007Y00
1	X & Y	Yes	42.5	15.5	C	A45----A---	EM430001Y00
5	X & Y	Yes	42.5	15.5	C	A45----A---	EM430005Y00
1	X & Y	Yes	52.0	18.0	C	A52----GM--	EM520001Y00
1	X & Y	Yes	52.0	18.0	C	A52----GM--	EM520005Y00
5	X & Y	Yes	54.0	18.0	C	A54----GM--	EM540001Y00
5	X & Y	Yes	54.0	18.0	C	A54----GM--	EM540005Y00

Global Motion Products

Distributed by:

Precision Motion Distributors: (925) 803-9565

Technical Support: (760) 451-2723

<http://www.gmpwebsite.com> Email: info@gmpwebsite.com

Preliminary - 03-2011

Specifications Subject to change without notice

RoHS Compliant