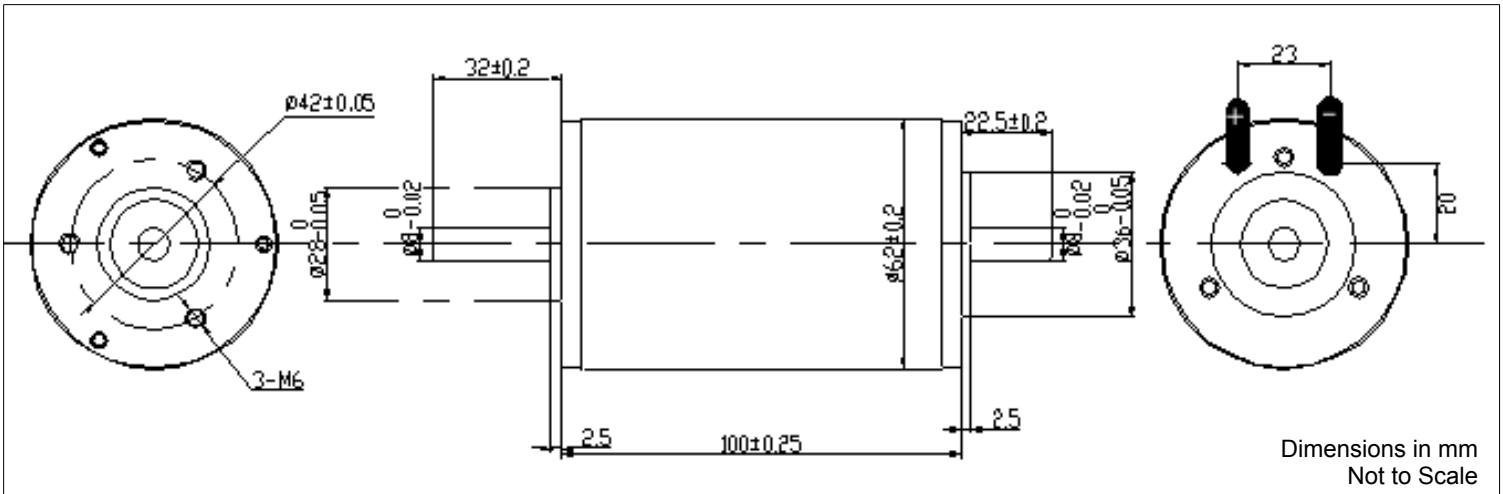


Coreless DC Motor - 62 mm Ø

700 + Watts Peak Power -130°C Max Ambient



Nominal Voltage	36.0 Volts	36.0 Volts	36.0 Volts
No-Load Speed	11,200 rpm	11,200 rpm	11,200 rpm
Stall Torque	2,443.3 mNm	24,914.3 gcm	346.0 oz-in
No-Load Current	0.400 Amps	0.400 Amps	0.400 Amps
Peak Output Power	712.8 Watts	712.8 Watts	712.8 Watts

Torque Constant	30.54 mNm/A	311.43 gcm/A	4.32 oz-in/A
Terminal Resistance	0.45 Ohms	0.45 Ohms	0.45 Ohms
Back-EMF Constant	3.20 V/krpm	3.20 V/krpm	3.20 V/krpm
Slope of Speed/Torque Curve	4.6 rpm/mNm	0.4 rpm/gcm	32.4 rpm/oz-in
Efficiency - Peak	86 %	86 %	86 %

Rated Power @ 10,000 rpm	205.0 Watts	205.0 Watts	205.0 Watts
Rated Torque @ 10,000 rpm	196.0 mNm	1,998.6 gcm	27.8 oz-in
Rated Current @ 10,000 rpm	7.200 Amps	7.200 Amps	7.200 Amps

Caution: Ratings are for 22°C Ambient. NOT MAXIMUM Permissible Ambient Temperature. At elevated temperatures, depending on heat sinking and rotor speed, current and torque ratings must be attenuated.

Motor Constant	45.53 mNm/√Watt	464.25 gcm/√Watt	6.45 oz-in/√Watt
Commutation Type	Metal Graphite		

Part Number: How to Order **C62G36BS010**

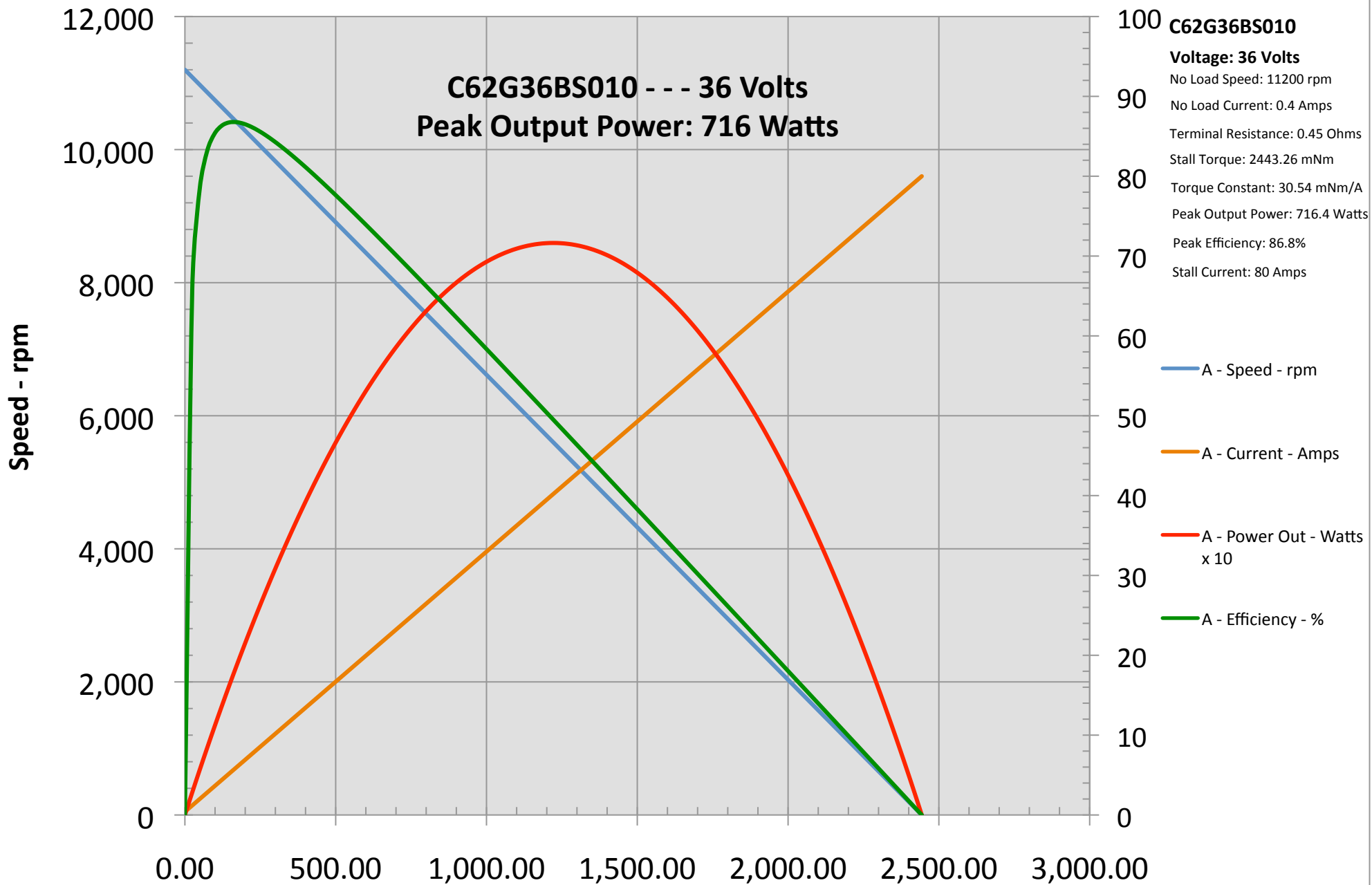
Radial Load Rating	2.0 N	Radial Play	0.025 mm	Max Temperature	135 °C
Radial Load Distance	5 mm	Thrust Play	0.200 mm	Min Temperature	-25 °C
Axial Load	1.00 N	Magnet Type	NdFeB	Max Winding Temp	150 °C
Press Fit Force - Max	30.00 N	Bearing Type	Ball Bearings	Mass	1,700 grams
Gearbox Options	Planetary and Spur				
Encoder Options	Optical				
Options - Other	Shaft length. Lubricants. Leads. Solder Tabs. Connectors. Windings.				

Global Motion Products
 Distributed by:
Precision Motion Distributors: (925) 803-9565
Technical Support: (760) 451-2723
<http://www.gmpwebsite.com> Email: info@gmpwebsite.com

Commutation Type:
Metal Graphite

**Manufactured under a
 Certified ISO 9001:2008
 Quality System**

RoHS Compliant



C62G36BS010
Voltage: 36 Volts
 No Load Speed: 11200 rpm
 No Load Current: 0.4 Amps
 Terminal Resistance: 0.45 Ohms
 Stall Torque: 2443.26 mNm
 Torque Constant: 30.54 mNm/A
 Peak Output Power: 716.4 Watts
 Peak Efficiency: 86.8%
 Stall Current: 80 Amps

— A - Speed - rpm
 — A - Current - Amps
 — A - Power Out - Watts x 10
 — A - Efficiency - %

Global Motion Products
 Distributed by Precision Motion Distributors
 (760) 451-2723, (925) 803-9565
<http://www.gmpwebsite.com>
 Email: info@gmpwebsite.com

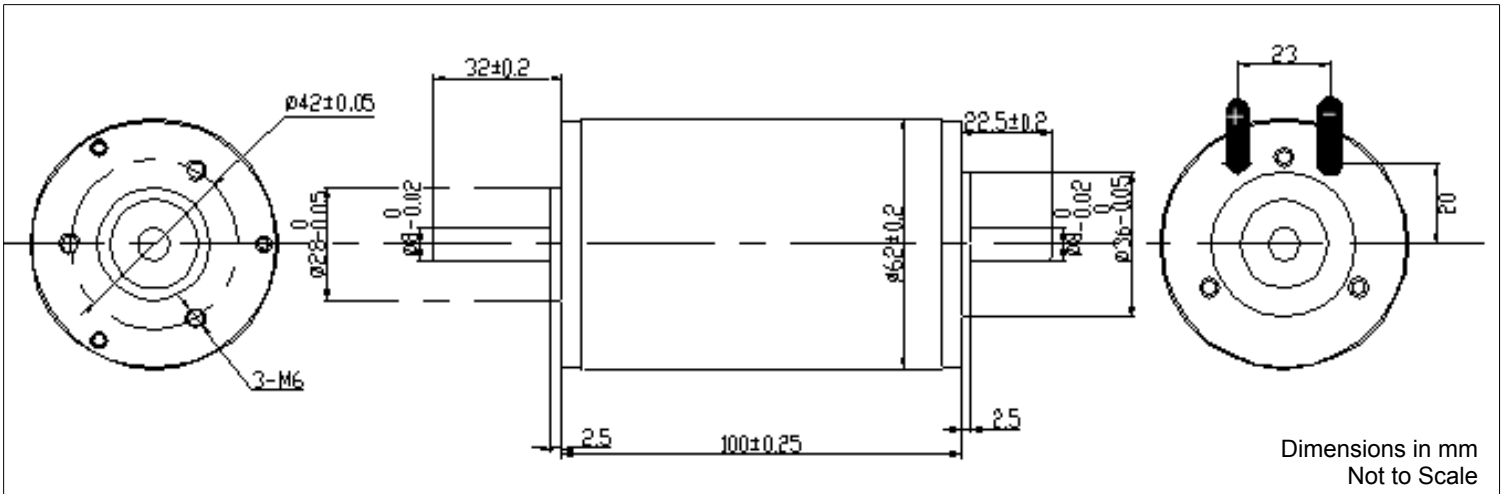
This Graph is provided free of charge and without any representations or warranties, express or implied, as to its suitability, legal effect, completeness, currentness, accuracy, and/or appropriateness. The simulation is with Nominal Values. The Graph is provided "as is", "as available", and with "all faults" and we disclaim any warranties, including but not limited to the motor or gearmotor's warranties of merchantability and fitness for a particular purpose. This Graph may be inappropriate for your particular circumstances. This is a simple mathematical simulation of a speed/torque curve for information purposes only. **IT IS NOT TEST DATA.**

April 27, 2011

CAUTION: Peak Output Power is NOT a RATING. This is merely a calculated value and does not address Thermal Issues.

Coreless DC Motor - 62 mm Ø

285 + Watts Peak Power -130°C Max Ambient



Nominal Voltage	36.0 Volts	36.0 Volts	36.0 Volts
No-Load Speed	5,150 rpm	5,150 rpm	5,150 rpm
Stall Torque	2,146.9 mNm	21,892.5 gcm	304.0 oz-in
No-Load Current	0.270 Amps	0.270 Amps	0.270 Amps
Peak Output Power	287.1 Watts	287.1 Watts	287.1 Watts

Torque Constant	66.20 mNm/A	675.02 gcm/A	9.37 oz-in/A
Terminal Resistance	1.11 Ohms	1.11 Ohms	1.11 Ohms
Back-EMF Constant	6.93 V/krpm	6.93 V/krpm	6.93 V/krpm
Slope of Speed/Torque Curve	2.4 rpm/mNm	0.2 rpm/gcm	16.9 rpm/oz-in
Efficiency - Peak	83 %	83 %	83 %

Rated Power @ 4,380 rpm	180.0 Watts	180.0 Watts	180.0 Watts
Rated Torque @ 4,380 rpm	392.3 mNm	4,000.0 gcm	55.6 oz-in
Rated Current @ 4,380 rpm	6.300 Amps	6.300 Amps	6.300 Amps

Caution: Ratings are for 22°C Ambient. NOT MAXIMUM Permissible Ambient Temperature. At elevated temperatures, depending on heat sinking and rotor speed, current and torque ratings must be attenuated.

Motor Constant	62.83 mNm/√Watt	640.70 gcm/√Watt	8.90 oz-in/√Watt
Commutation Type	Metal Graphite		

Part Number: How to Order **C62G36BS000**

Radial Load Rating	2.0 N	Radial Play	0.025 mm	Max Temperature	135 °C
Radial Load Distance	5 mm	Thrust Play	0.200 mm	Min Temperature	-25 °C
Axial Load	1.00 N	Magnet Type	NdFeB	Max Winding Temp	150 °C
Press Fit Force - Max	30.00 N	Bearing Type	Ball Bearings	Mass	1,700 grams
Gearbox Options	Planetary and Spur				
Encoder Options	Optical				
Options - Other	Shaft length. Lubricants. Leads. Solder Tabs. Connectors. Windings.				

Global Motion Products

Distributed by:

Precision Motion Distributors: (925) 803-9565

Technical Support: (760) 451-2723

http://www.gmpwebsite.com Email: info@gmpwebsite.com

Commutation Type:

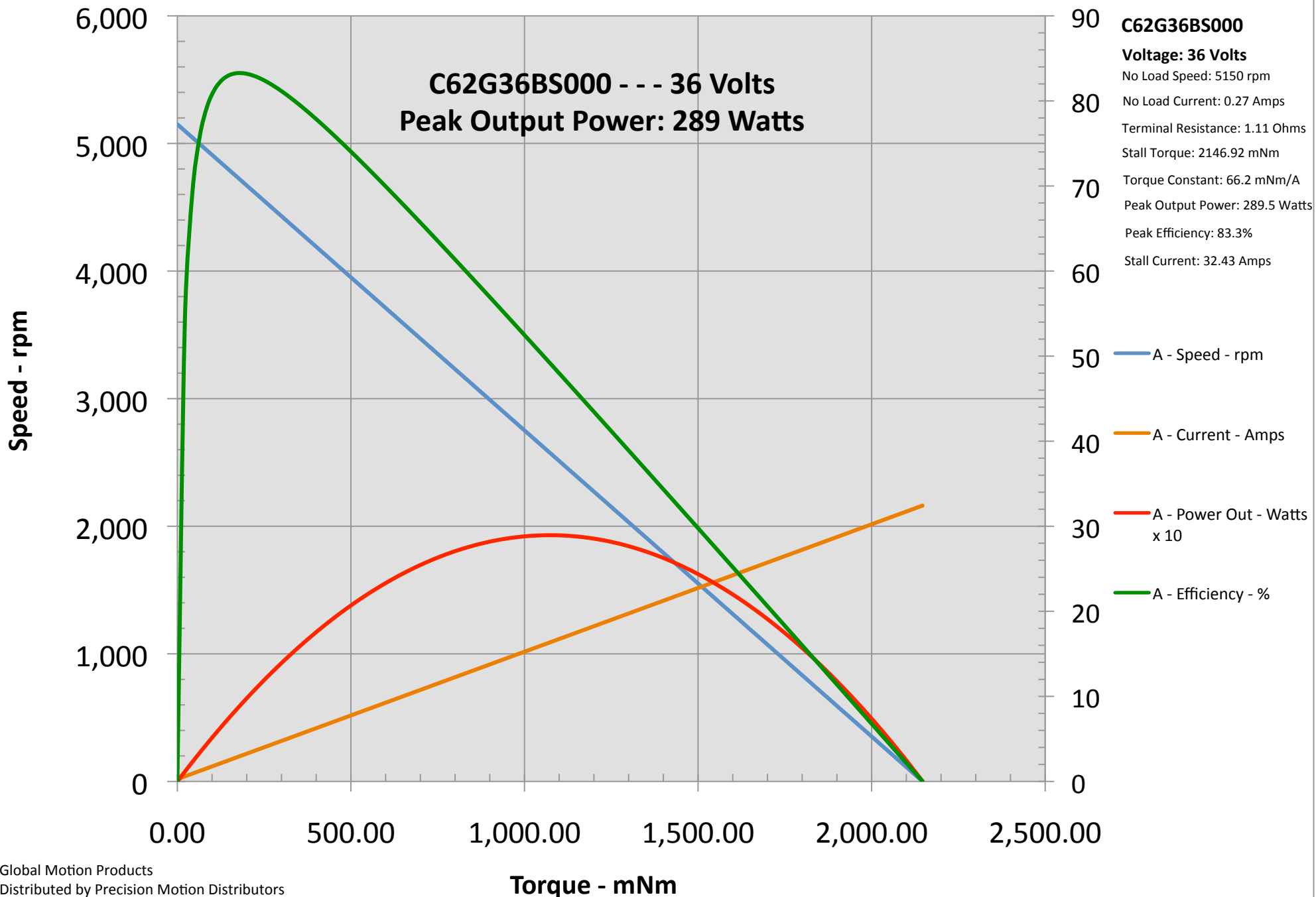
Metal Graphite

**Manufactured under a
Certified ISO 9001:2008
Quality System**

RoHS Compliant

B - August 2011

Specifications Subject to change without notice



Global Motion Products
 Distributed by Precision Motion Distributors
 (760) 451-2723, (925) 803-9565
<http://www.gmpwebsite.com>
 Email: info@gmpwebsite.com

This Graph is provided free of charge and without any representations or warranties, express or implied, as to its suitability, legal effect, completeness, currentness, accuracy, and/or appropriateness. The simulation is with Nominal Values. The Graph is provided "as is", "as available", and with "all faults" and we disclaim any warranties, including but not limited to the motor or gearmotor's warranties of merchantability and fitness for a particular purpose. This Graph may be inappropriate for your particular circumstances. This is a simple mathematical simulation of a speed/torque curve for information purposes only. **IT IS NOT TEST DATA.**

April 27, 2011

CAUTION: Peak Output Power is NOT a RATING. This is merely a calculated value and does not address Thermal Issues.