

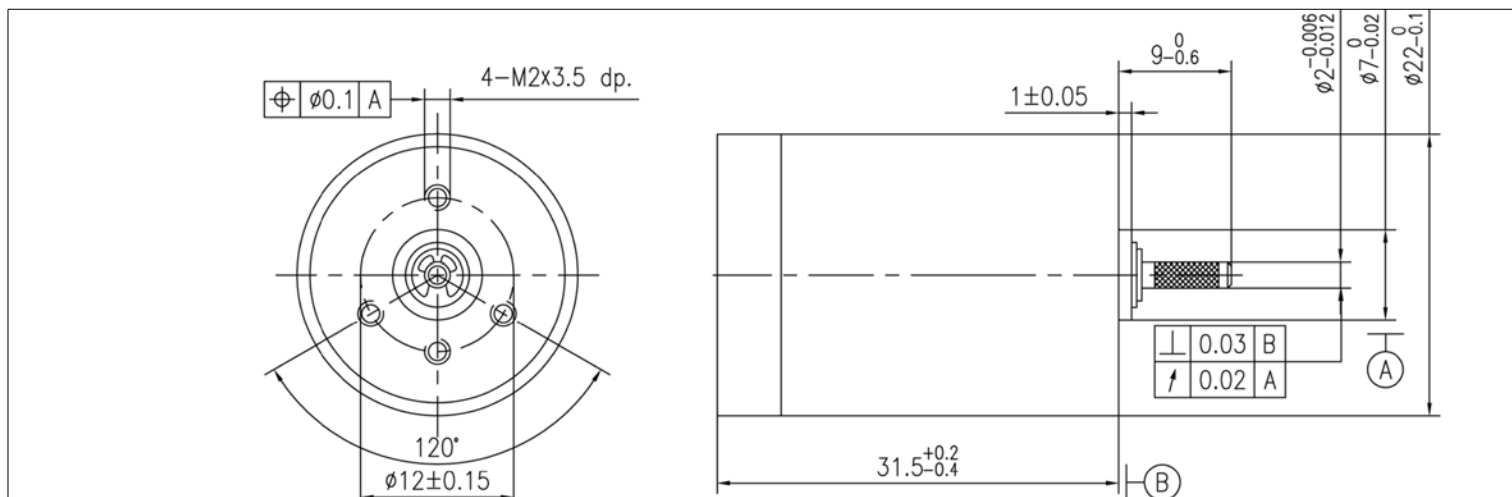
Coreless DC Motor - 22 mm Ø

C22P03SD000

5.8 Watts Peak Power



Global Motion Products



Not to Scale - Dimensions in millimeters (mm)

Nominal Voltage	3.0 Volts	3.0 Volts	3.0 Volts
No-Load Speed	8,500 rpm	8,500 rpm	8,500 rpm
Stall Torque	26.4 mNm	268.7 gcm	3.7 oz-in
No-Load Current	0.075 Amps	0.075 Amps	0.075 Amps
Peak Output Power	5.8 Watts	5.8 Watts	5.8 Watts
Torque Constant	3.34 mNm/A	34.04 gcm/A	0.47 oz-in/A
Terminal Resistance	0.38 Ohms	0.38 Ohms	0.38 Ohms
Back-EMF Constant	0.35 V/krpm	0.35 V/krpm	0.35 V/krpm
Mechanical Time Constant	18.3 msec	18.3 msec	18.3 msec
Rotor Inertia	5.37 kgm ² x10 ⁻⁷	5.37 gm cm ²	0.76 x10 ⁻⁴ oz-in-sec ²
Mechanical Time Constant	18.3 msec	18.3 msec	18.3 msec
Slope of Speed/Torque Curve	322.5 rpm/mNm	31.6 rpm/gcm	2,277.5 rpm/oz-in
Speed Constant	2,861 rpm/Volt	81 %	81 %
Motor Constant	5.42 mNm/√Watt	55.22 gcm/√Watt	0.77 oz-in/√Watt
Commutation Type	Precious Metal	Precious Metal	Precious Metal
Rated Power @ 7,699 rpm	2.0 Watts	2.0 Watts	2.0 Watts
Rated Torque @ 7,699 rpm	2.5 mNm	25.3 gcm	0.4 oz-in
Rated Current @ 7,699 rpm	0.742 Amps	0.742 Amps	0.742 Amps

Part Number: How to Order C22P03SD000

Ratings are at 25°C Ambient Temperature.

Radial Load Rating	2.7 N	Radial Play	0.020 mm	Max Temperature	65 °C
Radial Load Distance	4 mm	Thrust Play	0.150 mm	Min Temperature	-20 °C
Axial Load	1.00 N	Magnet Type	NdFeB	Max Winding Temp	85 °C
Press Fit Force - Max	80.00 N	Bearing Type	Sleeve Bearings	Mass	48 grams
Gearbox Options	P22 Series Planetary Gearboxes				
Encoder Options	N/A				
Options - Other	Ball Bearings. Shaft length. Lubricants. Leads. Solder Tabs. Connectors.				

Global Motion Products

Distributed by:

Precision Motion Distributors: (925) 803-9565

Technical Support: (760) 451-2723

http://www.gmpwebsite.com Email: info@gmpwebsite.com

Commutation Type:

Precious Metal

Manufactured under a
Certified ISO 9001:2008
Quality System

RoHS Compliant

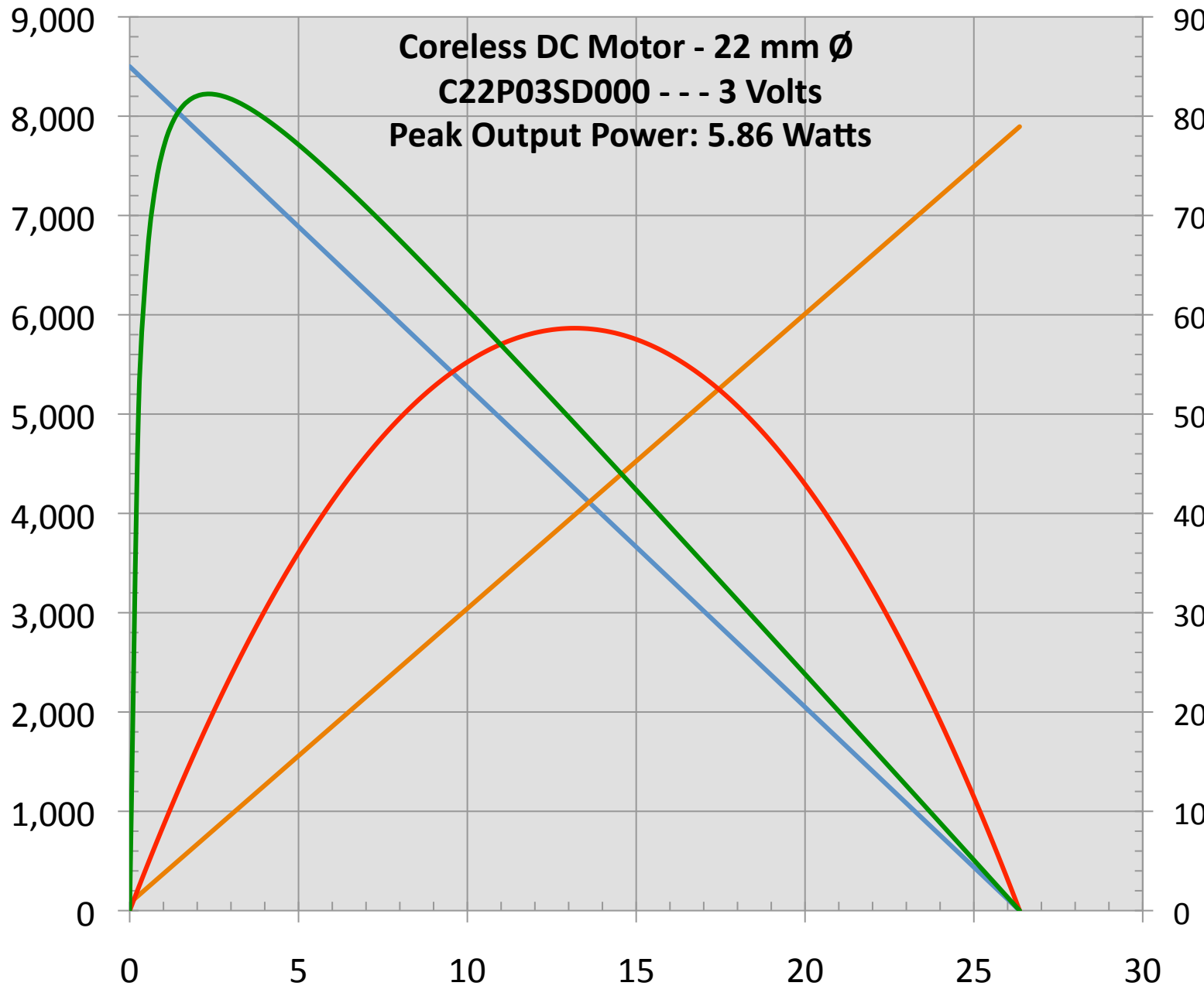
B - August 2011

Specifications Subject to change without notice

Coreless DC Motor - 22 mm Ø
C22P03SD000 - - - 3 Volts
Peak Output Power: 5.86 Watts

C22P03SD000
Voltage: 3 Volts
 No Load Speed: 8500 rpm
 No Load Current: 0.075 Amps
 Terminal Resistance: 0.38 Ohms
 Stall Torque: 26.36 mNm
 Torque Constant: 3.34 mNm/A
 Peak Output Power: 5.86 Watts
 Peak Efficiency: 82.2%
 Stall Current: 7.89 Amps

Speed - rpm



90
80
70
60
50
40
30
20
10
0

— A - Speed - rpm
 — A - Current - Amps / 10
 — A - Power Out - Watts / 10
 — A - Efficiency - %

Torque - mNm

Global Motion Products
 Distributed by Precision Motion Distributors
 (760) 451-2723, (925) 803-9565
<http://www.gmpwebsite.com>
 Email: info@gmpwebsite.com

This Graph is provided free of charge and without any representations or warranties, express or implied, as to its suitability, legal effect, completeness, currentness, accuracy, and/or appropriateness. The simulation is with Nominal Values. The Graph is provided "as is", "as available", and with "all faults" and we disclaim any warranties, including but not limited to the motor or gearmotor's warranties of merchantability and fitness for a particular purpose. This Graph may be inappropriate for your particular circumstances. This is a simple mathematical simulation of a speed/torque curve for information purposes only. **IT IS NOT TEST DATA.**

January 18, 2011

CAUTION: Peak Output Power is NOT a RATING. This is merely a calculated value and does not address Thermal Issues.

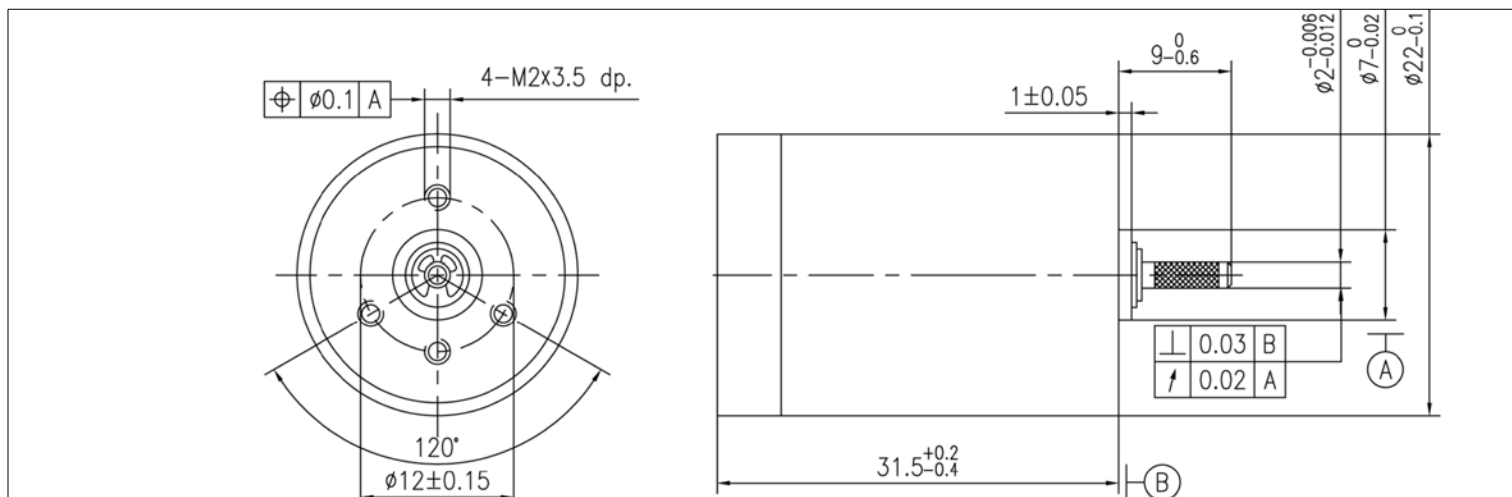
Coreless DC Motor - 22 mm Ø

C22P07SD000

4.7 Watts Peak Power



Global Motion Products



Not to Scale - Dimensions in millimeters (mm)

Nominal Voltage	6.0 Volts	6.0 Volts	6.0 Volts
No-Load Speed	8,030 rpm	8,030 rpm	8,030 rpm
Stall Torque	22.7 mNm	231.5 gcm	3.2 oz-in
No-Load Current	0.026 Amps	0.026 Amps	0.026 Amps
Peak Output Power	4.7 Watts	4.7 Watts	4.7 Watts
Torque Constant	7.08 mNm/A	72.16 gcm/A	1.00 oz-in/A
Terminal Resistance	1.87 Ohms	1.87 Ohms	1.87 Ohms
Back-EMF Constant	0.74 V/krpm	0.74 V/krpm	0.74 V/krpm
Mechanical Time Constant	11.3 msec	11.3 msec	11.3 msec
Rotor Inertia	3.02 kgm ² x10 ⁻⁷	3.02 gm cm ²	0.43 x10 ⁻⁴ oz-in-sec ²
Mechanical Time Constant	11.3 msec	11.3 msec	11.3 msec
Slope of Speed/Torque Curve	353.6 rpm/mNm	34.7 rpm/gcm	2,497.2 rpm/oz-in
Speed Constant	1,349 rpm/Volt	83 %	83 %
Motor Constant	5.18 mNm/√Watt	52.77 gcm/√Watt	0.73 oz-in/√Watt
Commutation Type	Precious Metal	Precious Metal	Precious Metal
Rated Power @ 7,076 rpm	2.0 Watts	2.0 Watts	2.0 Watts
Rated Torque @ 7,076 rpm	2.7 mNm	27.5 gcm	0.4 oz-in
Rated Current @ 7,076 rpm	0.381 Amps	0.381 Amps	0.381 Amps

Part Number: How to Order C22P07SD000

Ratings are at 25°C Ambient Temperature.

Radial Load Rating	2.7 N	Radial Play	0.020 mm	Max Temperature	65 °C
Radial Load Distance	4 mm	Thrust Play	0.150 mm	Min Temperature	-20 °C
Axial Load	1.00 N	Magnet Type	NdFeB	Max Winding Temp	85 °C
Press Fit Force - Max	80.00 N	Bearing Type	Sleeve Bearings	Mass	48 grams
Gearbox Options	P22 Series Planetary Gearboxes				
Encoder Options	N/A				
Options - Other	Ball Bearings. Shaft length. Lubricants. Leads. Solder Tabs. Connectors.				

Global Motion Products

Distributed by:

Precision Motion Distributors: (925) 803-9565

Technical Support: (760) 451-2723

http://www.gmpwebsite.com Email: info@gmpwebsite.com

Commutation Type:

Precious Metal

Manufactured under a
Certified ISO 9001:2008
Quality System

RoHS Compliant

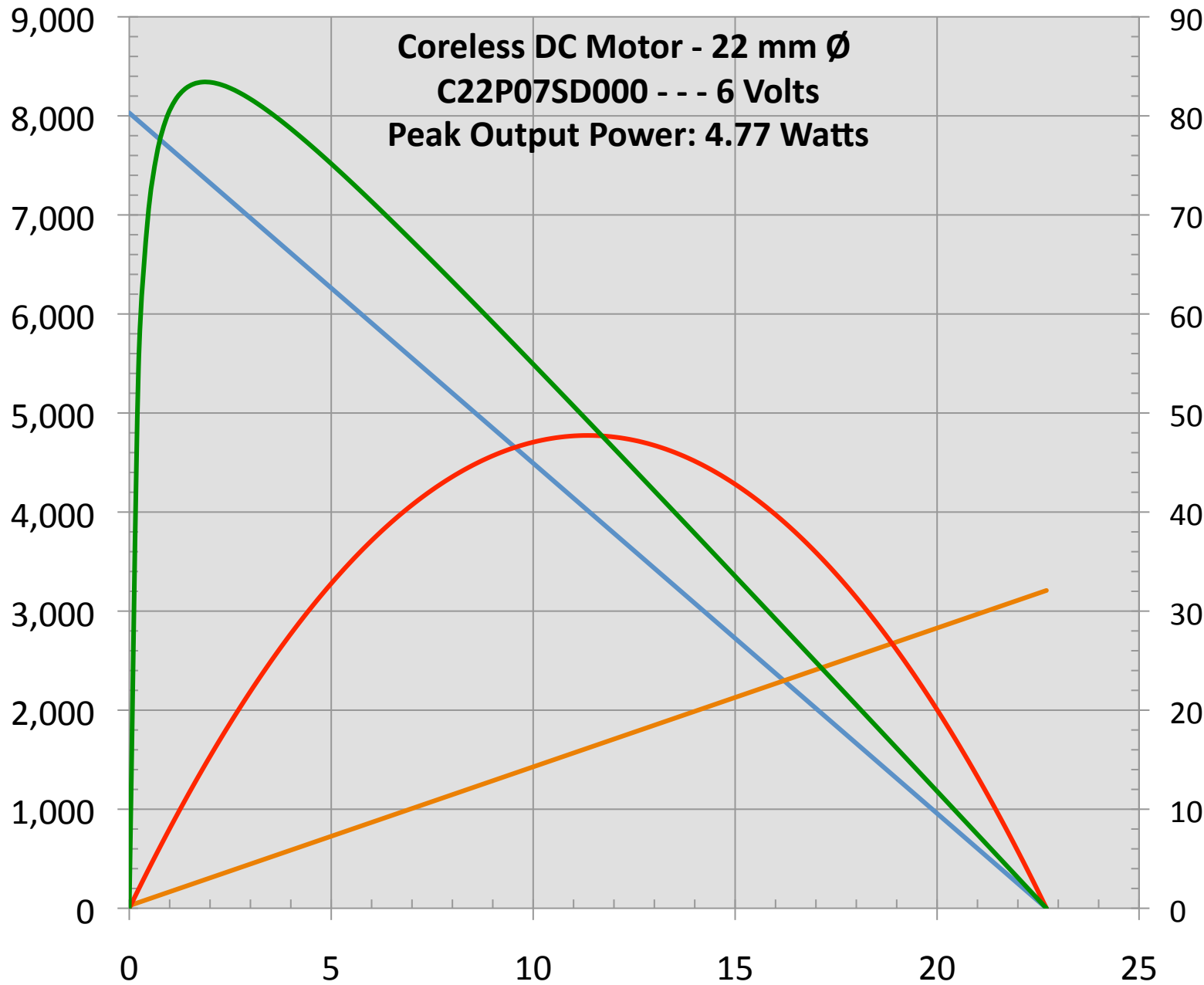
B - August 2011

Specifications Subject to change without notice

Coreless DC Motor - 22 mm Ø
C22P07SD000 - - - 6 Volts
Peak Output Power: 4.77 Watts

C22P07SD000
Voltage: 6 Volts
 No Load Speed: 8030 rpm
 No Load Current: 0.0262 Amps
 Terminal Resistance: 1.87 Ohms
 Stall Torque: 22.71 mNm
 Torque Constant: 7.08 mNm/A
 Peak Output Power: 4.77 Watts
 Peak Efficiency: 83.4%
 Stall Current: 3.21 Amps

Speed - rpm



90
80
70
60
50
40
30
20
10
0

— A - Speed - rpm
 — A - Current - Amps / 10
 — A - Power Out - Watts / 10
 — A - Efficiency - %

Torque - mNm

Global Motion Products
 Distributed by Precision Motion Distributors
 (760) 451-2723, (925) 803-9565
<http://www.gmpwebsite.com>
 Email: info@gmpwebsite.com

This Graph is provided free of charge and without any representations or warranties, express or implied, as to its suitability, legal effect, completeness, currentness, accuracy, and/or appropriateness. The simulation is with Nominal Values. The Graph is provided "as is", "as available", and with "all faults" and we disclaim any warranties, including but not limited to the motor or gearmotor's warranties of merchantability and fitness for a particular purpose. This Graph may be inappropriate for your particular circumstances. This is a simple mathematical simulation of a speed/torque curve for information purposes only. **IT IS NOT TEST DATA.**

January 18, 2011

CAUTION: Peak Output Power is NOT a RATING. This is merely a calculated value and does not address Thermal Issues.

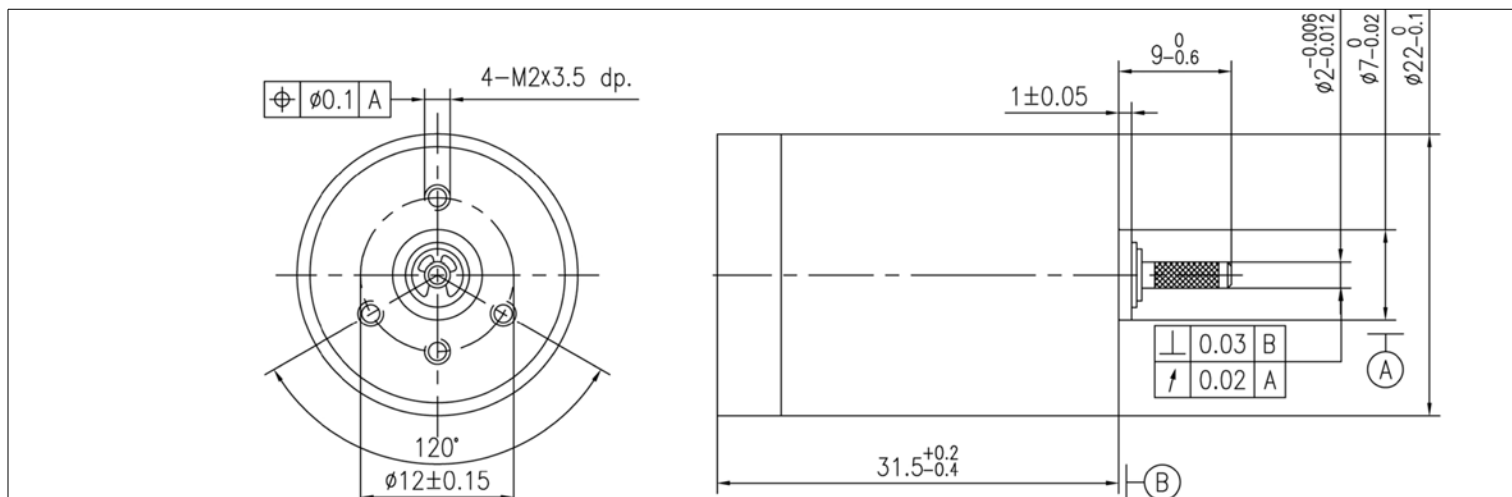
Coreless DC Motor - 22 mm Ø

C22P09SD000

4.6 Watts Peak Power



Global Motion Products



Not to Scale - Dimensions in millimeters (mm)

Nominal Voltage	9.0 Volts	9.0 Volts	9.0 Volts
No-Load Speed	8,200 rpm	8,200 rpm	8,200 rpm
Stall Torque	21.7 mNm	221.6 gcm	3.1 oz-in
No-Load Current	0.019 Amps	0.019 Amps	0.019 Amps
Peak Output Power	4.6 Watts	4.6 Watts	4.6 Watts
Torque Constant	10.38 mNm/A	105.88 gcm/A	1.47 oz-in/A
Terminal Resistance	4.30 Ohms	4.30 Ohms	4.30 Ohms
Back-EMF Constant	1.09 V/krpm	1.09 V/krpm	1.09 V/krpm
Mechanical Time Constant	19.4 msec	19.4 msec	19.4 msec
Rotor Inertia	4.87 kgm ² x10 ⁻⁷	4.87 gm cm ²	0.69 x10 ⁻⁴ oz-in-sec ²
Mechanical Time Constant	19.4 msec	19.4 msec	19.4 msec
Slope of Speed/Torque Curve	377.3 rpm/mNm	37.0 rpm/gcm	2,664.4 rpm/oz-in
Speed Constant	920 rpm/Volt	82 %	82 %
Motor Constant	5.01 mNm/√Watt	51.06 gcm/√Watt	0.71 oz-in/√Watt
Commutation Type	Precious Metal	Precious Metal	Precious Metal
Rated Power @ 6,668 rpm	2.8 Watts	2.8 Watts	2.8 Watts
Rated Torque @ 6,668 rpm	4.1 mNm	41.4 gcm	0.6 oz-in
Rated Current @ 6,668 rpm	0.391 Amps	0.391 Amps	0.391 Amps

Part Number: How to Order C22P09SD000

Ratings are at 25°C Ambient Temperature.

Radial Load Rating	2.7 N	Radial Play	0.020 mm	Max Temperature	65 °C
Radial Load Distance	4 mm	Thrust Play	0.150 mm	Min Temperature	-20 °C
Axial Load	1.00 N	Magnet Type	NdFeB	Max Winding Temp	85 °C
Press Fit Force - Max	80.00 N	Bearing Type	Sleeve Bearings	Mass	48 grams
Gearbox Options	P22 Series Planetary Gearboxes				
Encoder Options	N/A				
Options - Other	Ball Bearings. Shaft length. Lubricants. Leads. Solder Tabs. Connectors.				

Global Motion Products

Distributed by:

Precision Motion Distributors: (925) 803-9565

Technical Support: (760) 451-2723

http://www.gmpwebsite.com Email: info@gmpwebsite.com

Commutation Type:

Precious Metal

Manufactured under a
Certified ISO 9001:2008
Quality System

RoHS Compliant

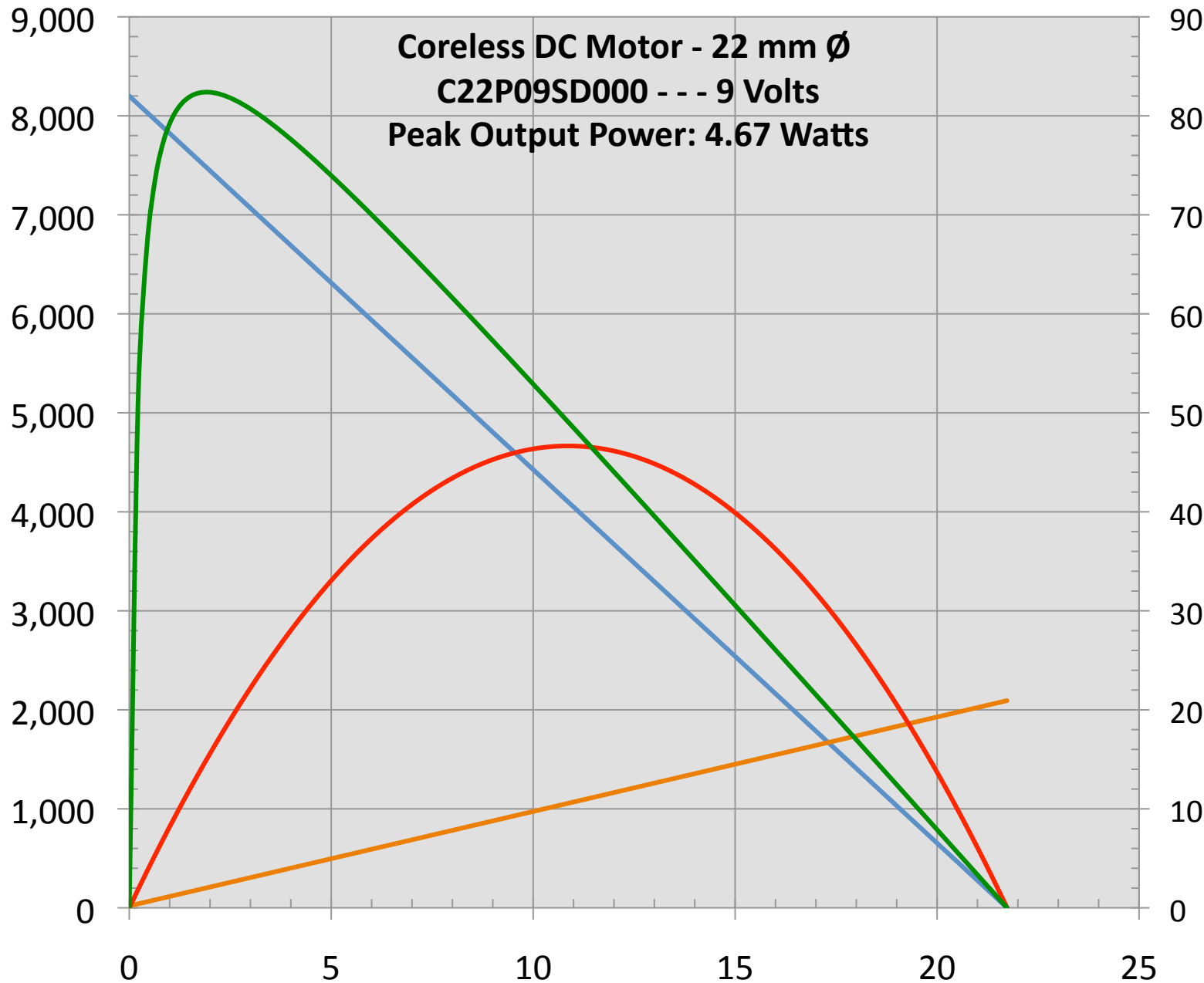
B - August 2011

Specifications Subject to change without notice

Coreless DC Motor - 22 mm Ø
C22P09SD000 - - - 9 Volts
Peak Output Power: 4.67 Watts

C22P09SD000
Voltage: 9 Volts
 No Load Speed: 8200 rpm
 No Load Current: 0.0195 Amps
 Terminal Resistance: 4.3 Ohms
 Stall Torque: 21.73 mNm
 Torque Constant: 10.38 mNm/A
 Peak Output Power: 4.67 Watts
 Peak Efficiency: 82.4%
 Stall Current: 2.09 Amps

Speed - rpm



90
80
70
60
50
40
30
20
10
0

— A - Speed - rpm
 — A - Current - Amps / 10
 — A - Power Out - Watts / 10
 — A - Efficiency - %

Torque - mNm

Global Motion Products
 Distributed by Precision Motion Distributors
 (760) 451-2723, (925) 803-9565
<http://www.gmpwebsite.com>
 Email: info@gmpwebsite.com

This Graph is provided free of charge and without any representations or warranties, express or implied, as to its suitability, legal effect, completeness, currentness, accuracy, and/or appropriateness. The simulation is with Nominal Values. The Graph is provided "as is", "as available", and with "all faults" and we disclaim any warranties, including but not limited to the motor or gearmotor's warranties of merchantability and fitness for a particular purpose. This Graph may be inappropriate for your particular circumstances. This is a simple mathematical simulation of a speed/torque curve for information purposes only. **IT IS NOT TEST DATA.**

January 18, 2011

CAUTION: Peak Output Power is NOT a RATING. This is merely a calculated value and does not address Thermal Issues.

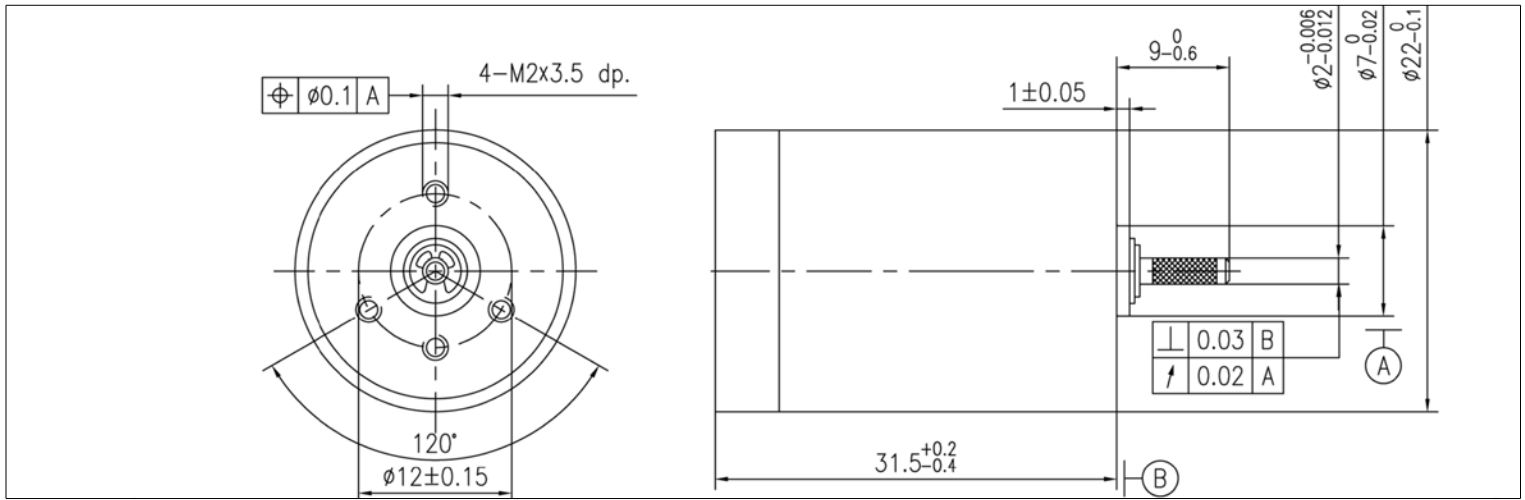
Coreless DC Motor - 22 mm Ø

C22P12SD000

5.2 Watts Peak Power



Global Motion Products



Not to Scale - Dimensions in millimeters (mm)

Nominal Voltage	12.0 Volts	12.0 Volts	12.0 Volts
No-Load Speed	8,160 rpm	8,160 rpm	8,160 rpm
Stall Torque	24.7 mNm	251.4 gcm	3.5 oz-in
No-Load Current	0.014 Amps	0.014 Amps	0.014 Amps
Peak Output Power	5.2 Watts	5.2 Watts	5.2 Watts
Torque Constant	13.93 mNm/A	142.06 gcm/A	1.97 oz-in/A
Terminal Resistance	6.78 Ohms	6.78 Ohms	6.78 Ohms
Back-EMF Constant	1.46 V/krpm	1.46 V/krpm	1.46 V/krpm
Mechanical Time Constant	15.6 msec	15.6 msec	15.6 msec
Rotor Inertia	4.47 kgm ² x10 ⁻⁷	4.47 gm cm ²	0.63 x10 ⁻⁴ oz-in-sec ²

Mechanical Time Constant	15.6 msec	15.6 msec	15.6 msec
Slope of Speed/Torque Curve	330.9 rpm/mNm	32.5 rpm/gcm	2,337.0 rpm/oz-in
Speed Constant	685 rpm/Volt	83 %	83 %
Motor Constant	5.35 mNm/√Watt	54.56 gcm/√Watt	0.76 oz-in/√Watt
Commutation Type	Precious Metal	Precious Metal	Precious Metal
Rated Power @ 6,528 rpm	3.4 Watts	3.4 Watts	3.4 Watts
Rated Torque @ 6,528 rpm	4.9 mNm	50.3 gcm	0.7 oz-in
Rated Current @ 6,528 rpm	0.354 Amps	0.354 Amps	0.354 Amps

Part Number: How to Order C22P12SD000

Ratings are at 25°C Ambient Temperature.

Radial Load Rating	2.7 N	Radial Play	0.020 mm	Max Temperature	65 °C
Radial Load Distance	4 mm	Thrust Play	0.150 mm	Min Temperature	-20 °C
Axial Load	1.00 N	Magnet Type	NdFeB	Max Winding Temp	85 °C
Press Fit Force - Max	80.00 N	Bearing Type	Sleeve Bearings	Mass	48 grams
Gearbox Options	P22 Series Planetary Gearboxes				
Encoder Options	N/A				
Options - Other	Ball Bearings. Shaft length. Lubricants. Leads. Solder Tabs. Connectors.				

Global Motion Products

Distributed by:

Precision Motion Distributors: (925) 803-9565

Technical Support: (760) 451-2723

http://www.gmpwebsite.com Email: info@gmpwebsite.com

Commutation Type:

Precious Metal

Manufactured under a
Certified ISO 9001:2008
Quality System

RoHS Compliant

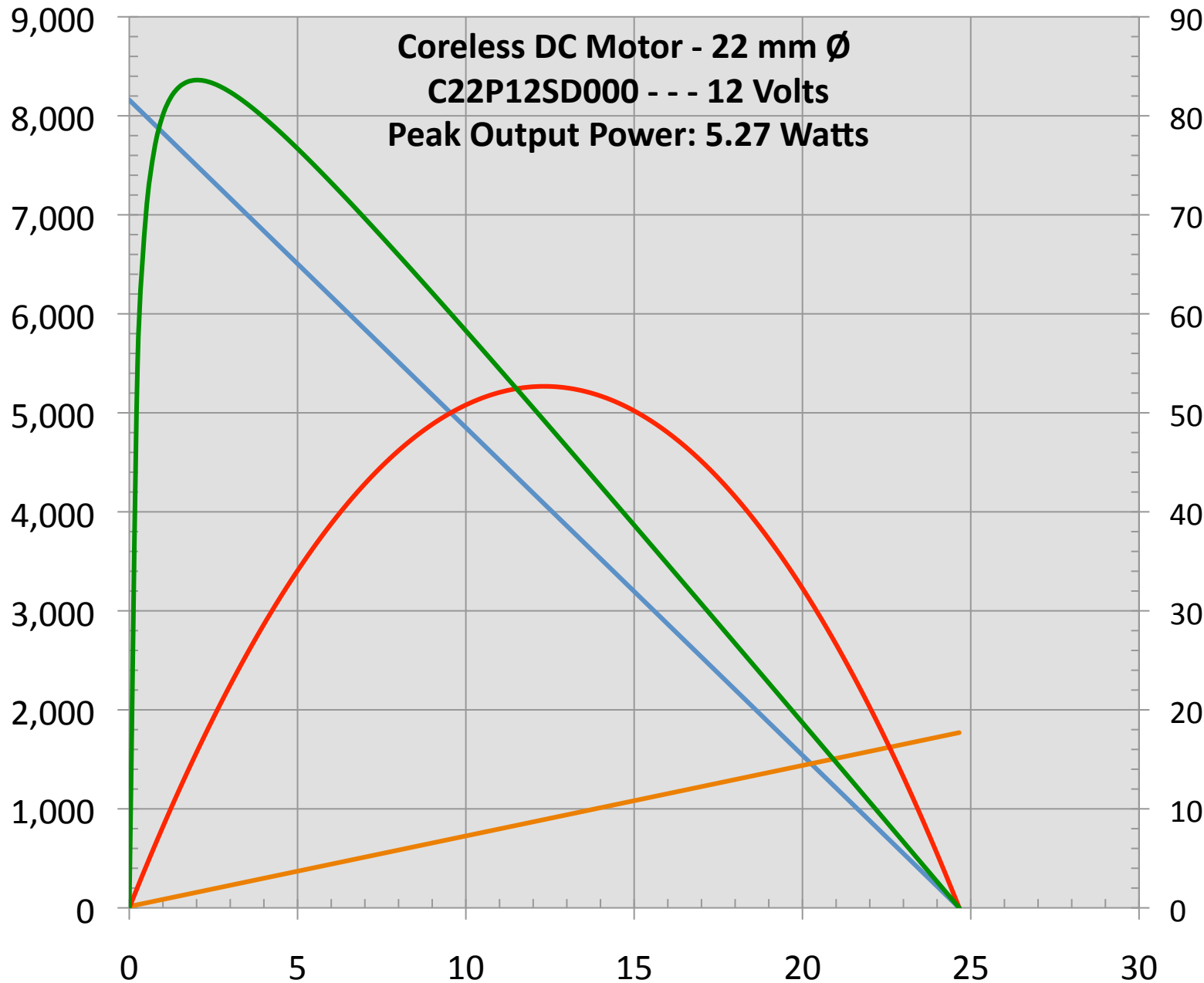
B - August 2011

Specifications Subject to change without notice

Coreless DC Motor - 22 mm Ø
C22P12SD000 - - - 12 Volts
Peak Output Power: 5.27 Watts

C22P12SD000
Voltage: 12 Volts
 No Load Speed: 8160 rpm
 No Load Current: 0.0141 Amps
 Terminal Resistance: 6.78 Ohms
 Stall Torque: 24.66 mNm
 Torque Constant: 13.93 mNm/A
 Peak Output Power: 5.27 Watts
 Peak Efficiency: 83.6%
 Stall Current: 1.77 Amps

Speed - rpm



90 **C22P12SD000**
Voltage: 12 Volts
 No Load Speed: 8160 rpm
 No Load Current: 0.0141 Amps
 Terminal Resistance: 6.78 Ohms
 Stall Torque: 24.66 mNm
 Torque Constant: 13.93 mNm/A
 Peak Output Power: 5.27 Watts
 Peak Efficiency: 83.6%
 Stall Current: 1.77 Amps

— A - Speed - rpm
 — A - Current - Amps / 10
 — A - Power Out - Watts / 10
 — A - Efficiency - %

Global Motion Products
 Distributed by Precision Motion Distributors
 (760) 451-2723, (925) 803-9565
<http://www.gmpwebsite.com>
 Email: info@gmpwebsite.com

This Graph is provided free of charge and without any representations or warranties, express or implied, as to its suitability, legal effect, completeness, currentness, accuracy, and/or appropriateness. The simulation is with Nominal Values. The Graph is provided "as is", "as available", and with "all faults" and we disclaim any warranties, including but not limited to the motor or gearmotor's warranties of merchantability and fitness for a particular purpose. This Graph may be inappropriate for your particular circumstances. This is a simple mathematical simulation of a speed/torque curve for information purposes only. **IT IS NOT TEST DATA.**

January 18, 2011

CAUTION: Peak Output Power is NOT a RATING. This is merely a calculated value and does not address Thermal Issues.

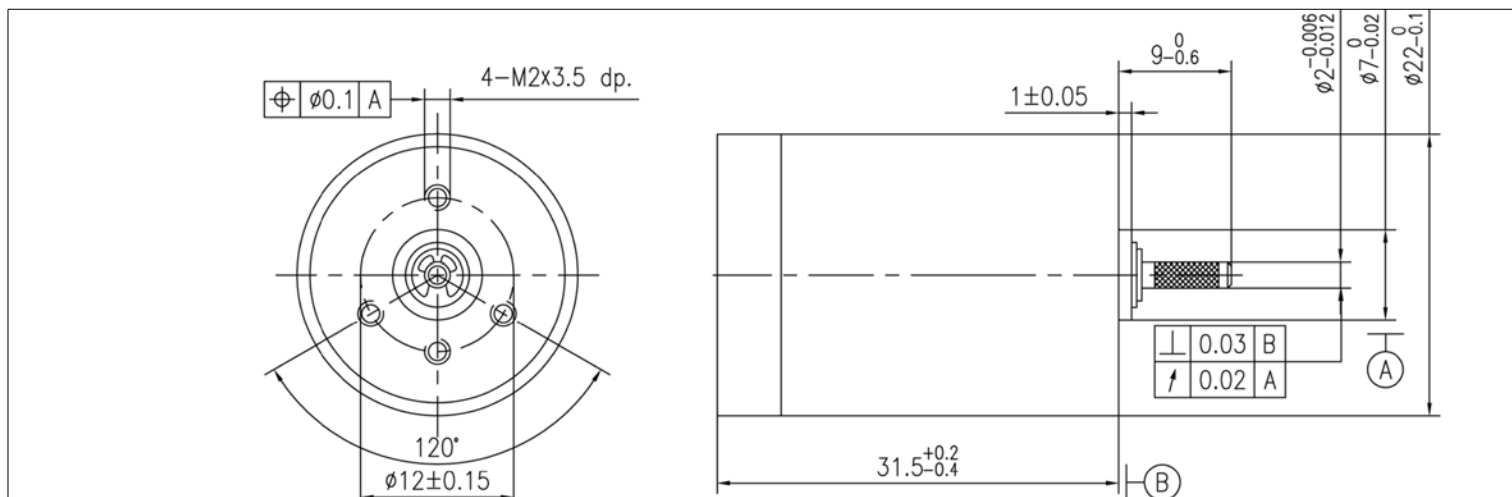
Coreless DC Motor - 22 mm Ø

C22P15SD000

5.6 Watts Peak Power



Global Motion Products



Not to Scale - Dimensions in millimeters (mm)

Nominal Voltage	15.0 Volts	15.0 Volts	15.0 Volts
No-Load Speed	8,400 rpm	8,400 rpm	8,400 rpm
Stall Torque	25.5 mNm	260.3 gcm	3.6 oz-in
No-Load Current	0.012 Amps	0.012 Amps	0.012 Amps
Peak Output Power	5.6 Watts	5.6 Watts	5.6 Watts
Torque Constant	16.92 mNm/A	172.49 gcm/A	2.40 oz-in/A
Terminal Resistance	9.94 Ohms	9.94 Ohms	9.94 Ohms
Back-EMF Constant	1.77 V/krpm	1.77 V/krpm	1.77 V/krpm
Mechanical Time Constant	14.8 msec	14.8 msec	14.8 msec
Rotor Inertia	4.27 kgm ² x10 ⁻⁷	4.27 gm cm ²	0.60 x10 ⁻⁴ oz-in-sec ²
Mechanical Time Constant	14.8 msec	14.8 msec	14.8 msec
Slope of Speed/Torque Curve	329.1 rpm/mNm	32.3 rpm/gcm	2,323.7 rpm/oz-in
Speed Constant	565 rpm/Volt	83 %	83 %
Motor Constant	5.37 mNm/√Watt	54.71 gcm/√Watt	0.76 oz-in/√Watt
Commutation Type	Precious Metal	Precious Metal	Precious Metal
Rated Power @ 6,702 rpm	3.6 Watts	3.6 Watts	3.6 Watts
Rated Torque @ 6,702 rpm	5.2 mNm	52.6 gcm	0.7 oz-in
Rated Current @ 6,702 rpm	0.305 Amps	0.305 Amps	0.305 Amps

Part Number: How to Order C22P15SD000

Ratings are at 25°C Ambient Temperature.

Radial Load Rating	2.7 N	Radial Play	0.020 mm	Max Temperature	65 °C
Radial Load Distance	4 mm	Thrust Play	0.150 mm	Min Temperature	-20 °C
Axial Load	1.00 N	Magnet Type	NdFeB	Max Winding Temp	85 °C
Press Fit Force - Max	80.00 N	Bearing Type	Sleeve Bearings	Mass	48 grams
Gearbox Options	P22 Series Planetary Gearboxes				
Encoder Options	N/A				
Options - Other	Ball Bearings. Shaft length. Lubricants. Leads. Solder Tabs. Connectors.				

Global Motion Products

Distributed by:

Precision Motion Distributors: (925) 803-9565

Technical Support: (760) 451-2723

http://www.gmpwebsite.com Email: info@gmpwebsite.com

Commutation Type:

Precious Metal

Manufactured under a
Certified ISO 9001:2008
Quality System

RoHS Compliant

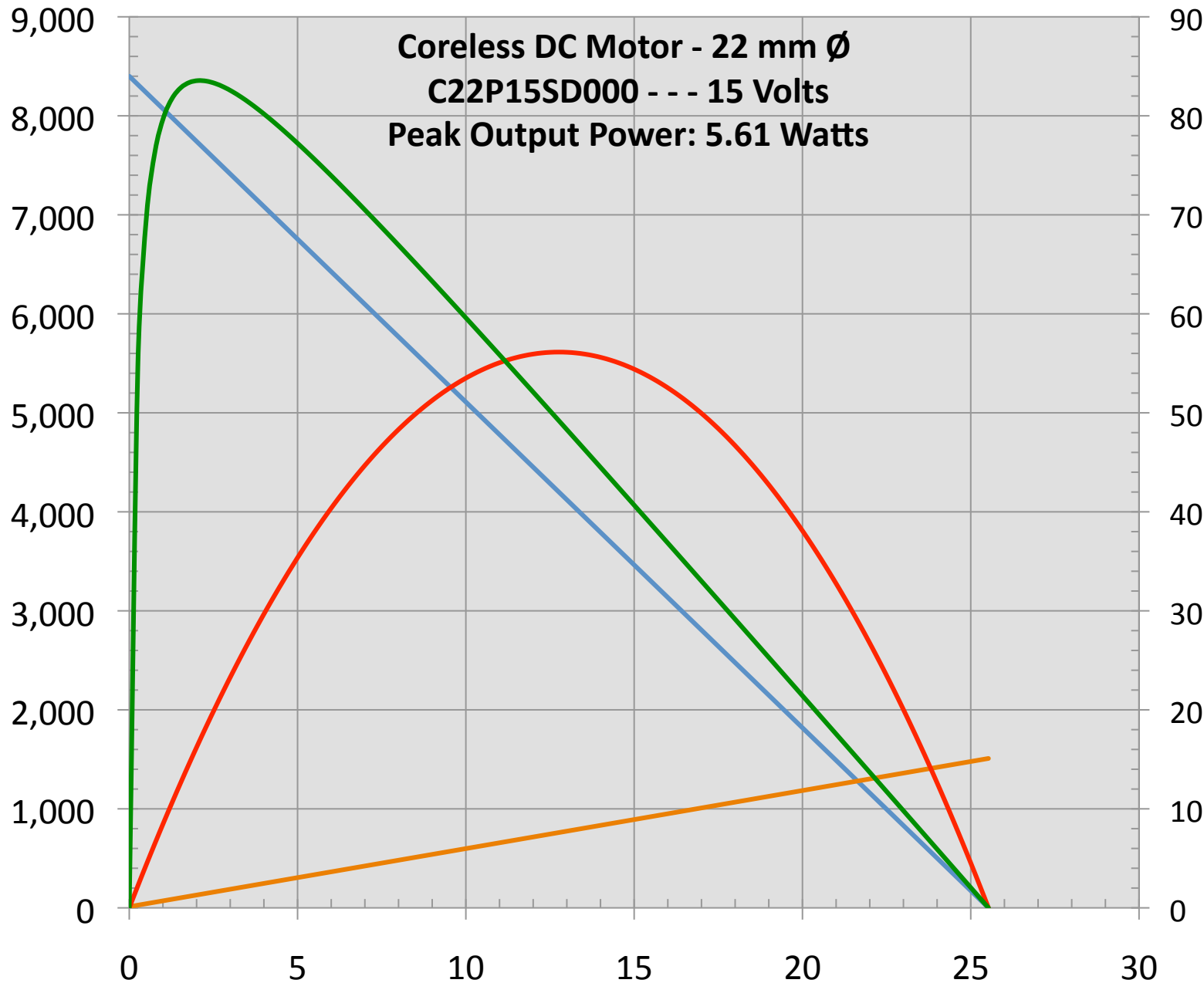
B - August 2011

Specifications Subject to change without notice

Coreless DC Motor - 22 mm Ø
C22P15SD000 - - - 15 Volts
Peak Output Power: 5.61 Watts

C22P15SD000
Voltage: 15 Volts
 No Load Speed: 8400 rpm
 No Load Current: 0.0121 Amps
 Terminal Resistance: 9.94 Ohms
 Stall Torque: 25.53 mNm
 Torque Constant: 16.92 mNm/A
 Peak Output Power: 5.61 Watts
 Peak Efficiency: 83.6%
 Stall Current: 1.51 Amps

Speed - rpm



90
80
70
60
50
40
30
20
10
0

A - Speed - rpm
 A - Current - Amps / 10
 A - Power Out - Watts / 10
 A - Efficiency - %

Torque - mNm

Global Motion Products
 Distributed by Precision Motion Distributors
 (760) 451-2723, (925) 803-9565
<http://www.gmpwebsite.com>
 Email: info@gmpwebsite.com

This Graph is provided free of charge and without any representations or warranties, express or implied, as to its suitability, legal effect, completeness, currentness, accuracy, and/or appropriateness. The simulation is with Nominal Values. The Graph is provided "as is", "as available", and with "all faults" and we disclaim any warranties, including but not limited to the motor or gearmotor's warranties of merchantability and fitness for a particular purpose. This Graph may be inappropriate for your particular circumstances. This is a simple mathematical simulation of a speed/torque curve for information purposes only. **IT IS NOT TEST DATA.**

January 18, 2011

CAUTION: Peak Output Power is NOT a RATING. This is merely a calculated value and does not address Thermal Issues.

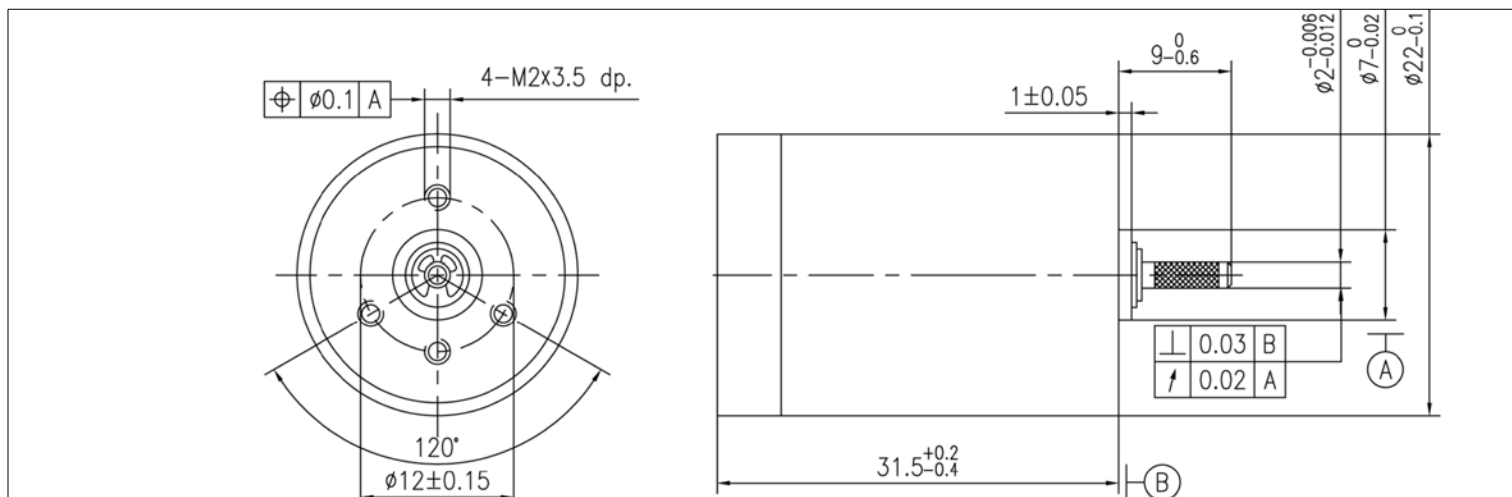
Coreless DC Motor - 22 mm Ø

C22P18SD000

4.0 Watts Peak Power



Global Motion Products



Not to Scale - Dimensions in millimeters (mm)

Nominal Voltage	18.0 Volts	18.0 Volts	18.0 Volts
No-Load Speed	8,170 rpm	8,170 rpm	8,170 rpm
Stall Torque	18.8 mNm	192.1 gcm	2.7 oz-in
No-Load Current	0.009 Amps	0.009 Amps	0.009 Amps
Peak Output Power	4.0 Watts	4.0 Watts	4.0 Watts
Torque Constant	20.83 mNm/A	212.38 gcm/A	2.95 oz-in/A
Terminal Resistance	19.90 Ohms	19.90 Ohms	19.90 Ohms
Back-EMF Constant	2.18 V/krpm	2.18 V/krpm	2.18 V/krpm
Mechanical Time Constant	13.6 msec	13.6 msec	13.6 msec
Rotor Inertia	2.97 kgm ² x10 ⁻⁷	2.97 gm cm ²	0.42 x10 ⁻⁴ oz-in-sec ²

Mechanical Time Constant	13.6 msec	13.6 msec	13.6 msec
Slope of Speed/Torque Curve	433.7 rpm/mNm	42.5 rpm/gcm	3,062.5 rpm/oz-in
Speed Constant	459 rpm/Volt	81 %	81 %
Motor Constant	4.67 mNm/√Watt	47.61 gcm/√Watt	0.66 oz-in/√Watt
Commutation Type	Precious Metal	Precious Metal	Precious Metal
Rated Power @ 6,535 rpm	2.6 Watts	2.6 Watts	2.6 Watts
Rated Torque @ 6,535 rpm	3.8 mNm	38.4 gcm	0.5 oz-in
Rated Current @ 6,535 rpm	0.181 Amps	0.181 Amps	0.181 Amps

Part Number: How to Order C22P18SD000

Ratings are at 25°C Ambient Temperature.

Radial Load Rating	2.7 N	Radial Play	0.020 mm	Max Temperature	65 °C
Radial Load Distance	4 mm	Thrust Play	0.150 mm	Min Temperature	-20 °C
Axial Load	1.00 N	Magnet Type	NdFeB	Max Winding Temp	85 °C
Press Fit Force - Max	80.00 N	Bearing Type	Sleeve Bearings	Mass	48 grams
Gearbox Options	P22 Series Planetary Gearboxes				
Encoder Options	N/A				
Options - Other	Ball Bearings. Shaft length. Lubricants. Leads. Solder Tabs. Connectors.				

Global Motion Products

Distributed by:

Precision Motion Distributors: (925) 803-9565

Technical Support: (760) 451-2723

http://www.gmpwebsite.com Email: info@gmpwebsite.com

Commutation Type:

Precious Metal

Manufactured under a
Certified ISO 9001:2008
Quality System

RoHS Compliant

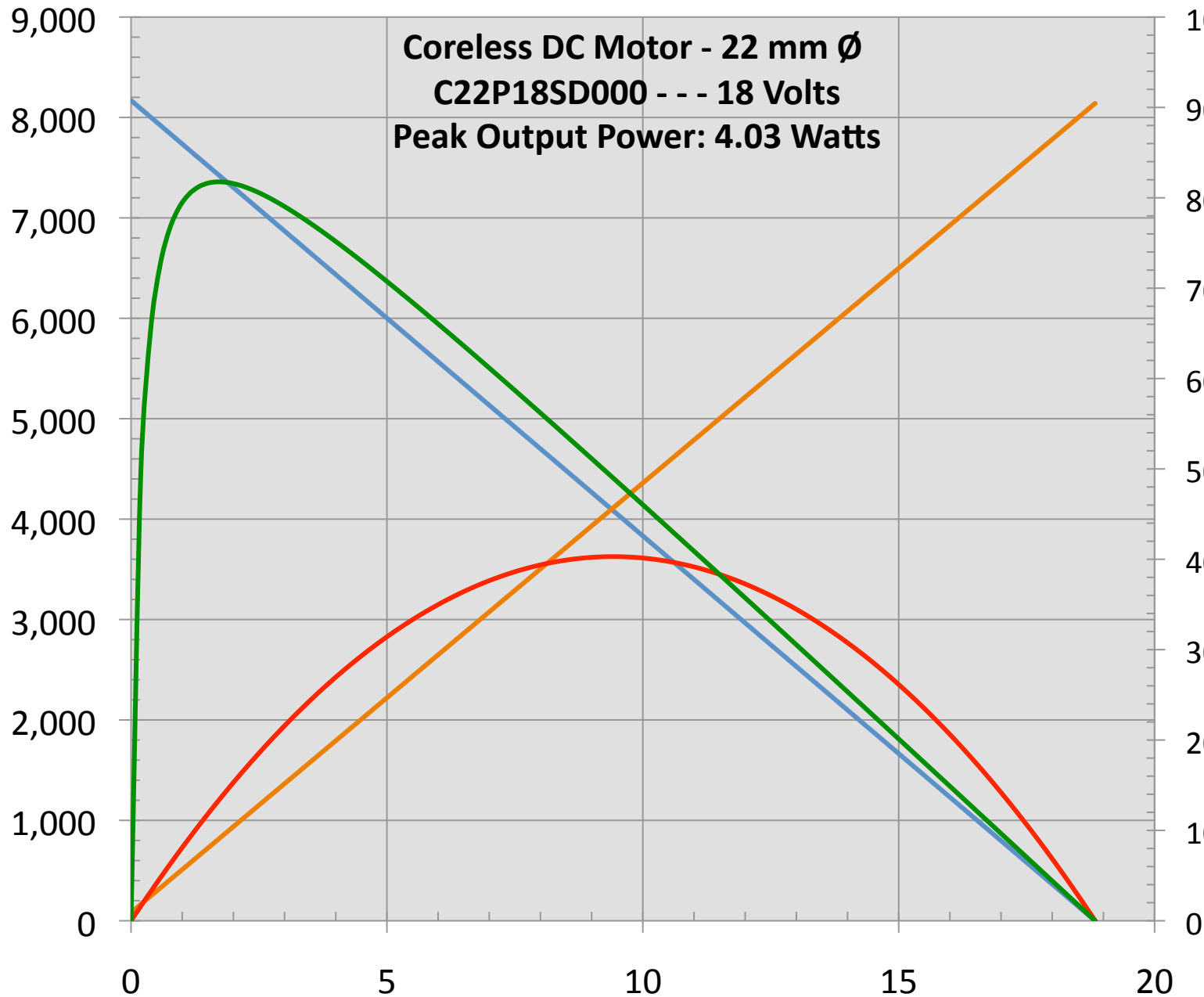
B - August 2011

Specifications Subject to change without notice

Coreless DC Motor - 22 mm Ø
C22P18SD000 - - - 18 Volts
Peak Output Power: 4.03 Watts

100 C22P18SD000
Voltage: 18 Volts
 No Load Speed: 8170 rpm
 No Load Current: 0.0091 Amps
 Terminal Resistance: 19.9 Ohms
 Stall Torque: 18.84 mNm
 Torque Constant: 20.83 mNm/A
 Peak Output Power: 4.03 Watts
 Peak Efficiency: 81.8%
 Stall Current: 0.9 Amps

Speed - rpm



- A - Speed - rpm
- A - Current - Amps / 100
- A - Power Out - Watts / 10
- A - Efficiency - %

Torque - mNm

Global Motion Products
 Distributed by Precision Motion Distributors
 (760) 451-2723, (925) 803-9565
<http://www.gmpwebsite.com>
 Email: info@gmpwebsite.com

This Graph is provided free of charge and without any representations or warranties, express or implied, as to its suitability, legal effect, completeness, currentness, accuracy, and/or appropriateness. The simulation is with Nominal Values. The Graph is provided "as is", "as available", and with "all faults" and we disclaim any warranties, including but not limited to the motor or gearmotor's warranties of merchantability and fitness for a particular purpose. This Graph may be inappropriate for your particular circumstances. This is a simple mathematical simulation of a speed/torque curve for information purposes only. **IT IS NOT TEST DATA.**

January 18, 2011

CAUTION: Peak Output Power is NOT a RATING. This is merely a calculated value and does not address Thermal Issues.