

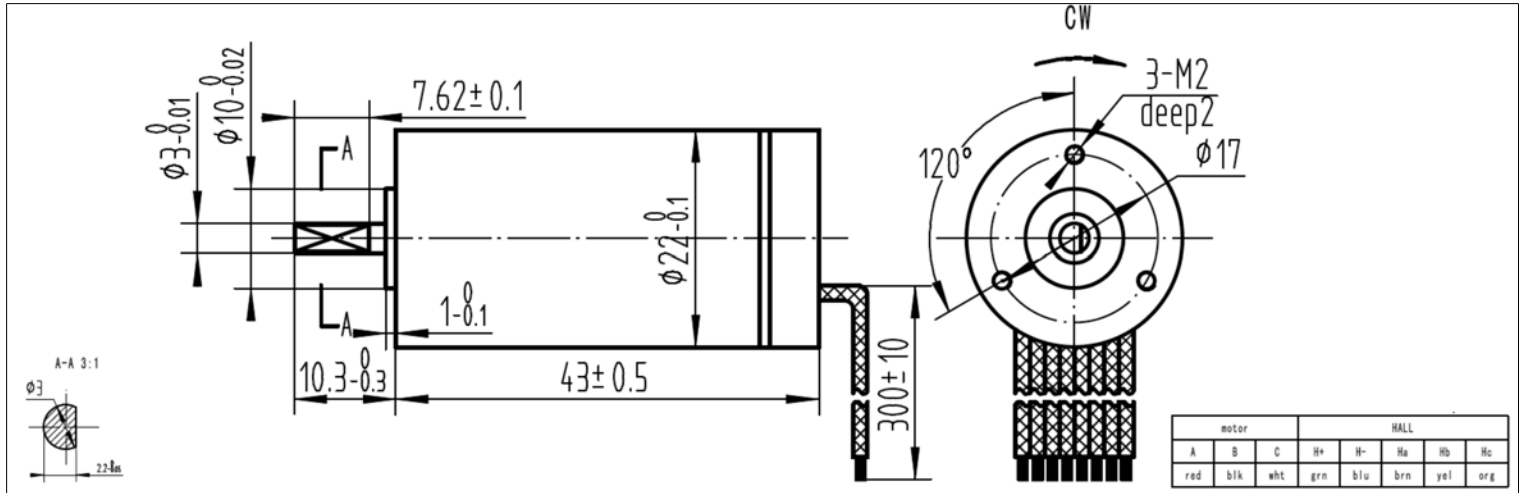
BLDC Slotless Motor - 22 mm Ø x 43



B22E24BZ060

26.8 Watts Peak Power

Global Motion Products



Not to Scale - Dimensions in millimeters (mm)

Nominal Voltage	24.0 Volts	24.0 Volts	24.0 Volts
No-Load Speed	18,000 rpm	18,000 rpm	18,000 rpm
Stall Torque	58.4 mNm	595.0 gcm	8.27 oz-in
No-Load Current	0.120 Amps	0.120 Amps	0.120 Amps
Peak Output Power	26.8 Watts	26.8 Watts	26.8 Watts
Torque Constant	12.41 mNm/A	126.52 gcm/A	1.76 oz-in/A
Terminal Resistance	5.10 Ohms	5.10 Ohms	5.10 Ohms
Back-EMF Constant	1.30 V/krpm	1.30 V/krpm	1.30 V/krpm
Inductance	0.330 mH	0.330 mH	0.330 mH
Rotor Inertia	3.400 kg-m ² x10 ⁻⁷	3.400 gm cm ²	0.481 x10 ⁻⁴ oz in sec ²
Mechanical Time Constant	11.3 msec	11.3 msec	11.3 msec
Slope of Speed/Torque Curve	308.3 rpm/mNm	30.3 rpm/gcm	2,176.9 rpm/oz-in
Speed Constant	770 rpm/Volt	770 rpm/Volt	770 rpm/Volt
Motor Constant	5.49 mNm/√Watt	56.03 gcm/√Watt	0.78 oz-in/√Watt

Zero Cogging 3 Phase Brushless DC Motor featuring High Temperature Neodymium Iron Boron Magnets.

Part Number: How to Order B22E24BZ060 Characteristics - Specifications at 22 °C

Radial Load Rating	Radial Play	Max Temperature	125 °C
Radial Load Distance	Thrust Play	Min Temperature	-30 °C
Axial Load	Magnet Type NdFeB	Max Winding Temp	125 °C
Press Fit Force - Max	Bearing Type Ball Bearings	Mass	77.0 grams

Gearbox Options Spur and Planetary Gearboxes.
 Encoder Options Modular 2 channel Optical Encoder with zero index.
 Options - Other Windings, special shafts, sensorless version, lubrication, connectors.

Global Motion Products
 Distributed by:
 Precision Motion Distributors: (925) 803-9565
 Technical Support: (760) 451-2723
<http://www.gmpwebsite.com> Email: info@gmpwebsite.com

Commutation Type: Manufactured under a Certified ISO 9001:2008 Quality System
 Electronic - Hall Effect

RoHS Compliant

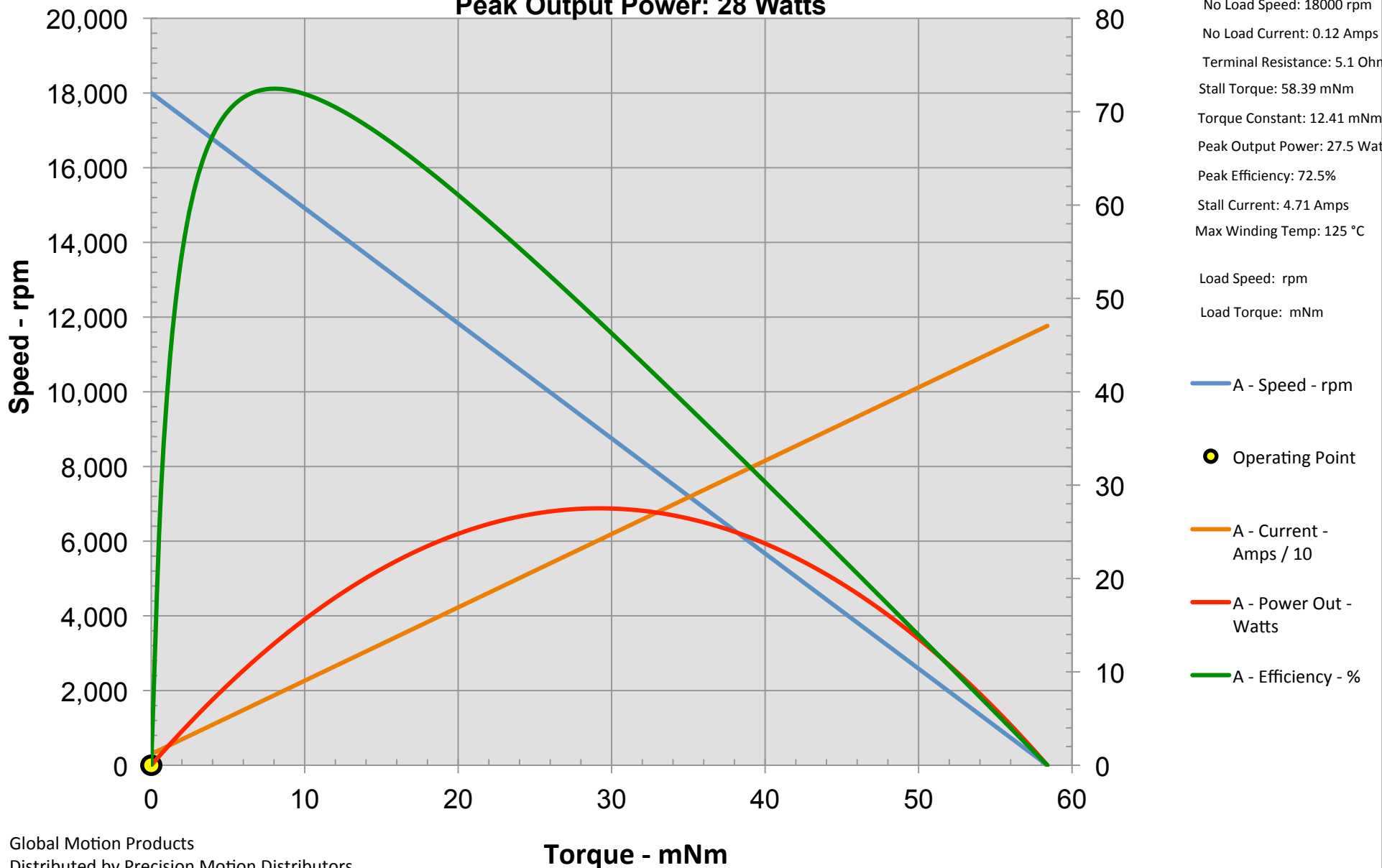
Preliminary

Specifications Subject to change without notice

BLDC Slotless Motor - 22 mm Ø x 43
B22E24BZ060 - - - 24 Volts
Peak Output Power: 28 Watts

B22E24BZ060

Voltage: 24 Volts
 No Load Speed: 18000 rpm
 No Load Current: 0.12 Amps
 Terminal Resistance: 5.1 Ohm
 Stall Torque: 58.39 mNm
 Torque Constant: 12.41 mNm/A
 Peak Output Power: 27.5 Watts
 Peak Efficiency: 72.5%
 Stall Current: 4.71 Amps
 Max Winding Temp: 125 °C



Global Motion Products
 Distributed by Precision Motion Distributors
 (760) 451-2723, (925) 803-9565
<http://www.gmpwebsite.com>
 Email: info@gmpwebsite.com

This Graph is provided free of charge and without any representations or warranties, express or implied, as to its suitability, legal effect, completeness, currentness, accuracy, and appropriateness. The simulation is with Nominal Values. The Graph is provided "as is", "as available", and with "all faults" and we disclaim any warranties, including but not limited to the motor or gearmotor's warranties of merchantability and fitness for a particular purpose. This Graph may be inappropriate for your particular circumstances. This is a simple mathematical simulation of a speed/torque curve for information purposes only.

IT IS NOT TEST DATA. Stall Torque ignores motor coulomb and viscous torque losses. Voltage divided by Resistance multiplied by Torque Constant equals Stall Torque for motor only simulations. **CAUTION:** Peak Output Power is NOT a RATING. This is merely a calculated value and does not address Thermal Issues.

November 30, 2012

© Copyright 2012 George A. Beauchemin, All Rights Reserved