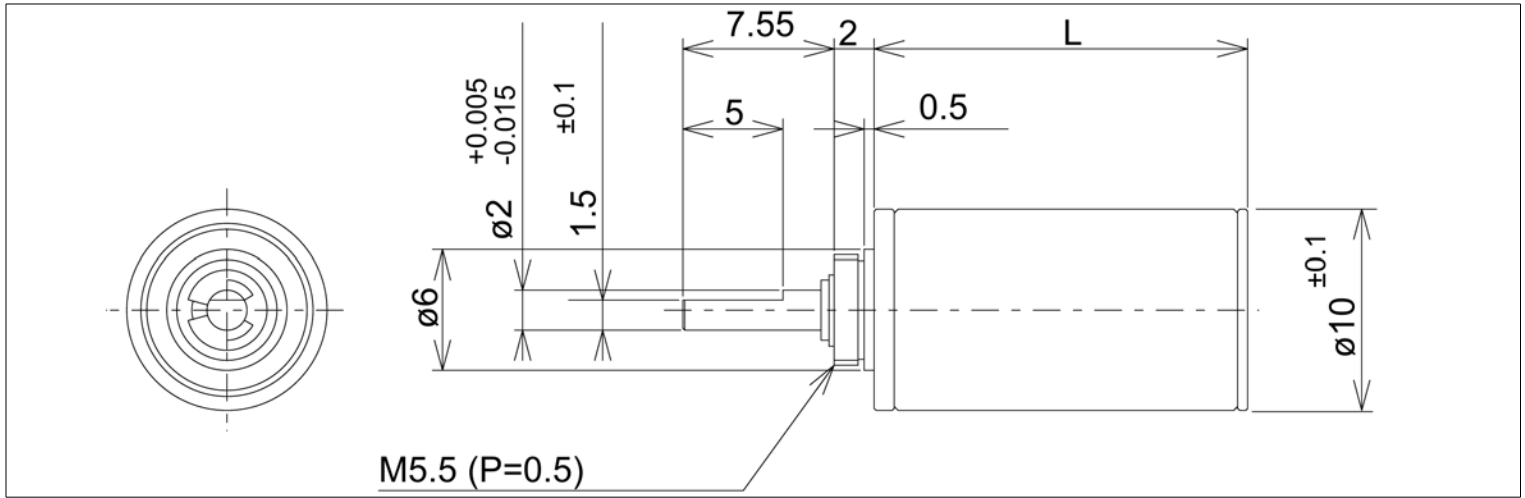


Planetary Gearbox - 10 mm Ø



Global Motion Products

P10 •••• MS00 - Metal Fabrication - Exact Ratio



M5.5 (P=0.5)

Not to Scale - Dimensions in millimeters (mm)

Ratio	Efficiency %	Continuous Torque mNm	Continuous Torque oz-in	Length L mm	Mass grams	Direction of Rotation*	Order Part Number
16.00:1	66 %	29 mNm	4.2 oz-in	12.85	6.9	Same	P100016MS00
64.00:1	53 %	98 mNm	13.9 oz-in	15.75	6.9	Same	P100064MS00
256.00:1	43 %	147 mNm	20.8 oz-in	18.65	8.3	Same	P100256MS00
1,024.00:1	35 %	147 mNm	20.8 oz-in	21.55	11.1	Same	P101024MS00

Radial Load Rating
Radial Load Distance
Axial Load
Press Fit Force - Max

Radial Play ≤ 0.07 mm
Axial Play ≤ 0.20 mm
Backlash ≤ 3.0 °
Bearing Sleeve

Max Temperature Operating 60°C
Min Temperature Operating -10°C
Relative Humidity Operating 20% to 85%
Characteristics and Specifications at 22°C

The P10 x x x MS00 Series is available as a complete gearmotor with Coreless DC Motors w/optional 2 Channel low Current /low Voltage Encoder 12 PPR per channel. Stainless steel output shaft is standard. GMP offers gearboxes and gearmotors from 6 mm diameter to 90 mm.

Options: Precious Metal Commutated 10 mm diameter Coreless DC Motors with body lengths of 17 or 25mm. Nominal Voltage from 2.4 to 6 Volts. Integrated 2 Channel Magnetic encoder that can operate from 3 to 24 Volts dc with ≤ 10 mA current. Ideal for battery powered devices.

* Rotational Sense of Gearbox Output Shaft to Motor Shaft

Global Motion Products
Distributed by:
Precision Motion Distributors: (925) 803-9565
Technical Support: (760) 451-2723
<http://www.gmpwebsite.com> Email: info@gmpwebsite.com

Manufactured under a
Certified ISO 9001 Quality
System

RoHS Compliant