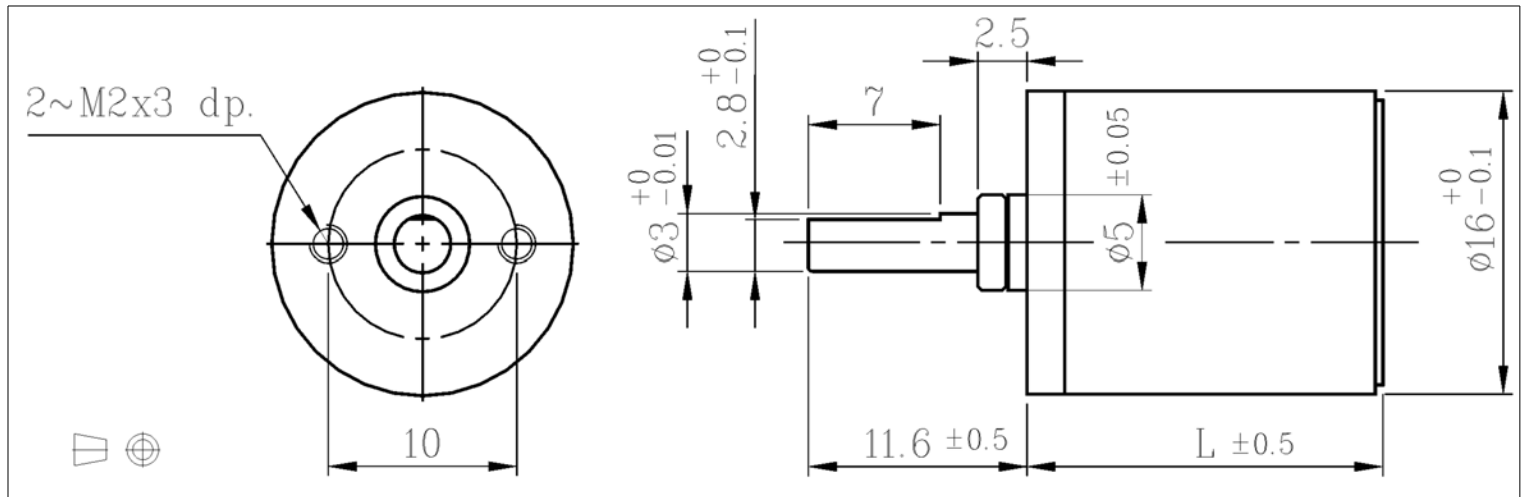


Planetary Gearbox - 16 mm Ø



High Value Sintered Metal Construction

Global Motion Products



Not to Scale - Dimensions in millimeters (mm)

Ratio	Efficiency %	Continuous Torque mNm	Momentary Torque mNm	Length L mm	Mass grams	Direction of Rotation*	Order Part Number
4.00:1	80 %	0.10 Nm	0.29 Nm	15.05	19.0	Same	P160004AS00
14.00:1	70 %	0.15 Nm	0.44 Nm	18.70	23.0	Same	P160014AS00
19.00:1	70 %	0.15 Nm	0.44 Nm	18.70	23.0	Same	P160019AS00
29.00:1	60 %	0.15 Nm	0.44 Nm	22.35	27.0	Same	P160029AS00
62.00:1	60 %	0.20 Nm	0.59 Nm	22.35	27.0	Same	P160062AS00
72.00:1	60 %	0.20 Nm	0.59 Nm	22.35	27.0	Same	P160072AS00
84.00:1	60 %	0.20 Nm	0.59 Nm	22.35	27.0	Same	P160084AS00
104.00:1	60 %	0.20 Nm	0.59 Nm	22.35	27.0	Same	P160104AS00
128.00:1	60 %	0.25 Nm	0.74 Nm	22.35	27.0	Same	P160128AS00
157.00:1	60 %	0.25 Nm	0.74 Nm	22.35	27.0	Same	P160157AS00
231.00:1	50 %	0.25 Nm	0.74 Nm	26.00	31.0	Same	P160231AS00
316.00:1	50 %	0.25 Nm	0.74 Nm	26.00	31.0	Same	P160316AS00
370.00:1	50 %	0.25 Nm	0.74 Nm	26.00	31.0	Same	P160370AS00
455.00:1	50 %	0.25 Nm	0.74 Nm	26.00	31.0	Same	P160455AS00

Radial Load Rating	≤ 4.9 N	Radial Play	≤ 0.05 mm	Max Temperature Operating	60°C
Radial Load Distance	10 mm	Axial Play	≤ 0.20 mm	Min Temperature Operating	-10°C
Axial Load	≤ 4.9 N	Backlash	≤ 3.0 °	Relative Humidity Operating	20% to 85%
Press Fit Force - Max	≤ 14.7 N			Bearing	Sleeve

The P16 o o o o AS00 Series is available with Low Cost Iron Core DC Motors and Low Power Quadrature Magnetic Encoder from 3.5 to 20 Volts and 5 to 10 mA. Current sipping Coreless DC Motors and BLDC Motors are also available. GMP offers gearboxes and gearmotors from 6 mm diameter to 90 mm.

Options
 Lubrication. Bearings. Coreless, Iron Core, and Brushless DC Motors. Plastic or metal gear first stage. Motors with integral encoders. Wiring harness. Connectors. For Lower Backlash, Ball Bearings, and hardened stainless steel shafts refer to our P16 o o o o MS00 Series.
 * Rotational Sense of Gearbox Output Shaft to Motor Shaft

Global Motion Products
 Distributed by:
 Precision Motion Distributors: (925) 803-9565
 Technical Support: (760) 451-2723
<http://www.gmpwebsite.com> Email: info@gmpwebsite.com

Manufactured under a
 Certified ISO 9001:2008
 Quality System

RoHS Compliant

B - June 2012

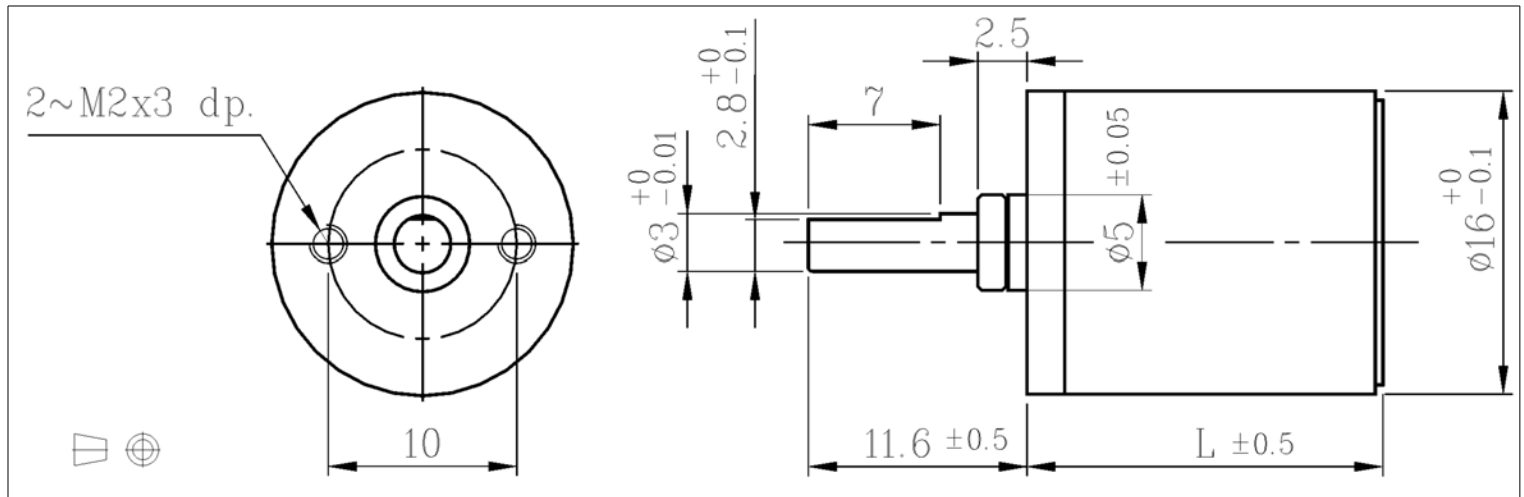
Specifications Subject to change without notice

Planetary Gearbox - 16 mm Ø



High Value Sintered Metal Construction

Global Motion Products



Not to Scale - Dimensions in millimeters (mm)

Ratio	Efficiency %	Continuous Torque mNm	Momentary Torque mNm	Length L mm	Mass grams	Direction of Rotation*	Order Part Number
561.00:1	50 %	0.25 Nm	0.74 Nm	26.00	31.0	Same	P160561AS00
690.00:1	50 %	0.25 Nm	0.74 Nm	26.00	31.0	Same	P160690AS00
1,014.00:	40 %	0.29 Nm	0.88 Nm	29.65	35.0	Same	P161014AS00
1,621.00:	40 %	0.29 Nm	0.88 Nm	29.65	35.0	Same	P161621AS00
1,996.00:	40 %	0.29 Nm	0.88 Nm	29.65	35.0	Same	P161996AS00
3,027.00:	40 %	0.29 Nm	0.88 Nm	29.65	35.0	Same	P163027AS00

Radial Load Rating	≤ 4.9 N	Radial Play	≤ 0.05 mm	Max Temperature Operating	60°C
Radial Load Distance	10 mm	Axial Play	≤ 0.20 mm	Min Temperature Operating	-10°C
Axial Load	≤ 4.9 N	Backlash	≤ 3.0 °	Relative Humidity Operating	20% to 85%
Press Fit Force - Max	≤ 14.7 N	Options		Bearing	Sleeve

The P16 o o o o AS00 Series is available with Low Cost Iron Core DC Motors and Low Power Quadrature Magnetic Encoder from 3.5 to 20 Volts and 5 to 10 mA. Current sipping Coreless DC Motors and BLDC Motors are also available. GMP offers gearboxes and gearmotors from 6 mm diameter to 90 mm.

Lubrication. Bearings. Coreless, Iron Core, and Brushless DC Motors. Plastic or metal gear first stage. Motors with integral encoders. Wiring harness. Connectors. For Lower Backlash, Ball Bearings, and hardened stainless steel shafts refer to our P16 o o o o MS00 Series.
* Rotational Sense of Gearbox Output Shaft to Motor Shaft

Global Motion Products
Distributed by:
Precision Motion Distributors: (925) 803-9565
Technical Support: (760) 451-2723
<http://www.gmpwebsite.com> Email: info@gmpwebsite.com

Manufactured under a
Certified ISO 9001:2008
Quality System

RoHS Compliant

B - June 2012

Specifications Subject to change without notice