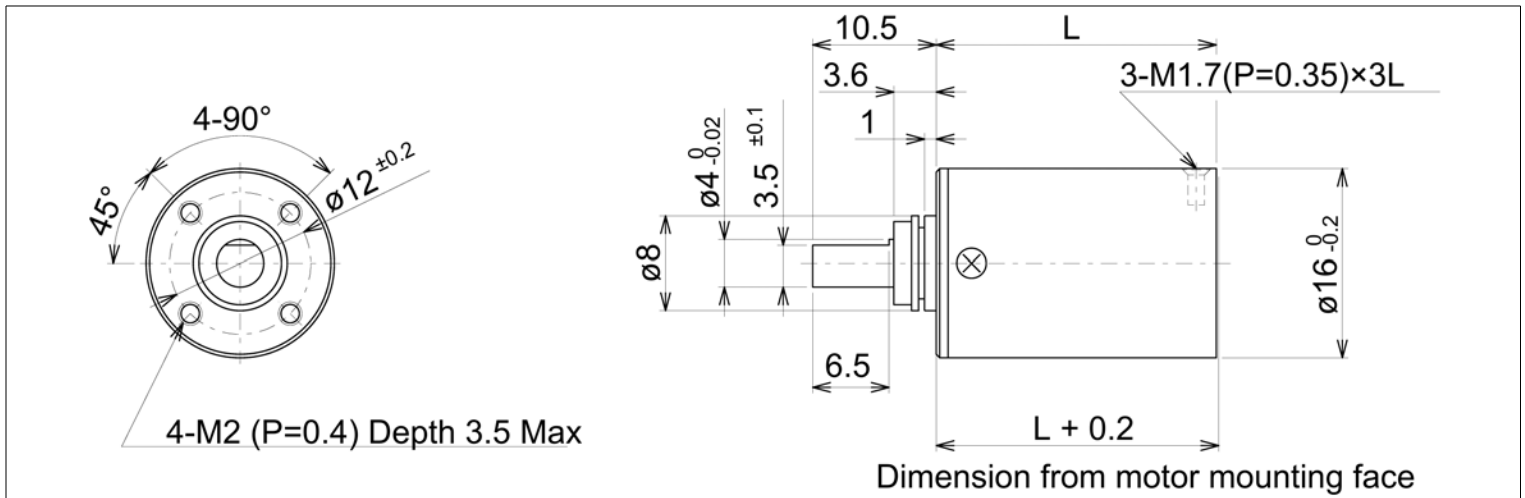


Low Backlash Gearbox - 16 mm Ø



P16xxxxNB00-Planetary-High Torque-Ball Bearing

Global Motion Products



Not to Scale - Dimensions in millimeters (mm)

Ratio	Efficiency %	Continuous Torque mNm	Continuous Torque oz-in	Length L mm	Mass grams	Direction of Rotation*	Order Part Number
4.75:1	81 %	24 mNm	3.5 oz-in	18.40	16.7	Same	P160005NB00
19.00:1	66 %	98 mNm	13.9 oz-in	23.80	20.9	Same	P160019NB00
25.56:1	66 %	98 mNm	13.9 oz-in	23.80	20.9	Same	P160026NB00
76.00:1	53 %	294 mNm	41.6 oz-in	28.20	24.7	Same	P160076NB00
90.25:1	53 %	294 mNm	41.6 oz-in	28.20	24.7	Same	P160090NB00
107.17:1	53 %	294 mNm	41.6 oz-in	28.20	24.7	Same	P160107NB00
304.00:1	43 %	392 mNm	55.5 oz-in	32.60	28.2	Same	P160304NB00
361.00:1	43 %	392 mNm	55.5 oz-in	32.60	28.2	Same	P160361NB00
428.69:1	43 %	392 mNm	55.5 oz-in	32.60	28.2	Same	P160429NB00
509.07:1	43 %	392 mNm	55.5 oz-in	32.60	28.2	Same	P160509NB00
1,216.00:1	35 %	588 mNm	83.3 oz-in	37.00	31.8	Same	P161216NB00
1,444.00:1	35 %	588 mNm	83.3 oz-in	37.00	31.8	Same	P161444NB00
1,714.75:1	35 %	588 mNm	83.3 oz-in	37.00	31.8	Same	P161715NB00
2,036.27:1	35 %	588 mNm	83.3 oz-in	37.00	31.8	Same	P162036NB00

Radial Load Rating	≤ 4.9 N	Radial Play	≤ 0.10 mm	Max Temperature Operating	60°C
Radial Load Distance	10 mm	Axial Play	≤ 0.20 mm	Min Temperature Operating	-10°C
Axial Load	≤ 4.9 N	Backlash	≤ 0.5 °	Relative Humidity Operating	20% to 85%
		Bearing	Ball	Characteristics and Specifications at 22°C	

Graphite and Precious metal Coreless DC Motors 16-17 mm Ø, up to 10-Watts peak mechanical power. 6-24 Volts & optional 3 Channel Magnetic Encoders-Line Drivers-Complementary Outputs. Lower cost standard backlash sintered metal versions. 2 Channel Optical Encoders.

The P16 o o o o NB00 Series is available as a complete Coreless DC gearmotor w/ Optional Encoders. Hall Effect or Sensorless Surface Wound BLDC Motors are available. GMP offers gearboxes and gearmotors from 6 mm diameter to 90 mm in a variety of materials & technologies.

* Rotational Sense of Gearbox Output Shaft to Motor Shaft

Global Motion Products

Distributed by:

Precision Motion Distributors: (925) 803-9565

Technical Support: (760) 451-2723

http://www.gmpwebsite.com Email: info@gmpwebsite.com

Manufactured under a Certified ISO 9001:2008 Quality and ISO 14001:2004 Environmental Management System.

RoHS Compliant

B - December 2012

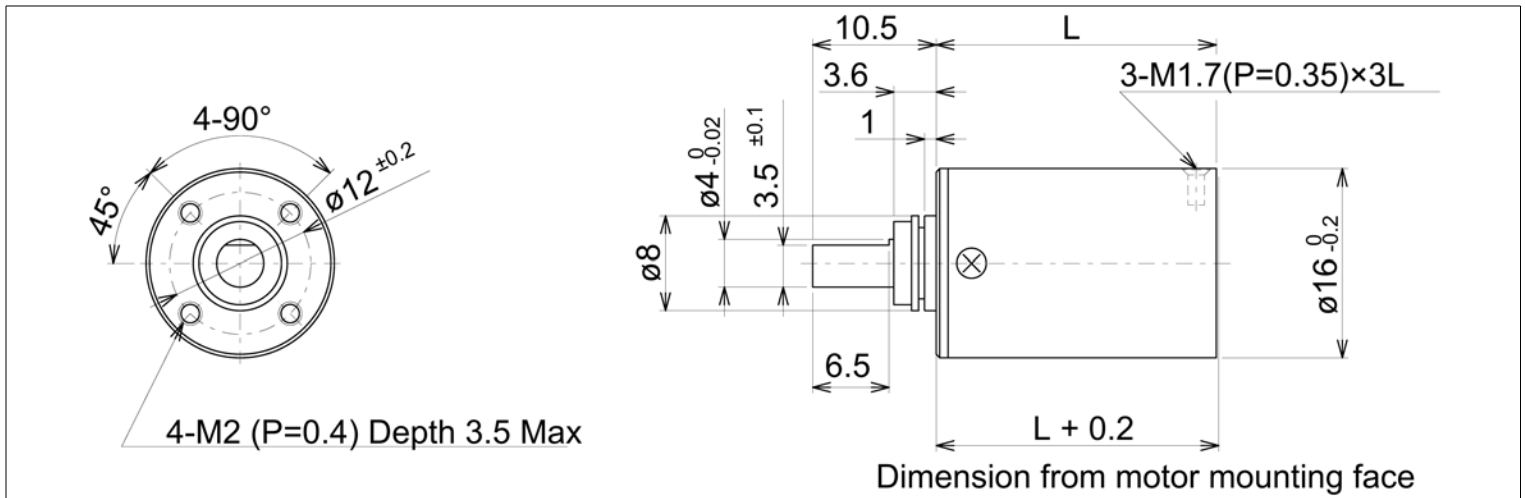
Specifications Subject to change without notice

Low Backlash Gearbox - 16 mm Ø



P16xxxxNB00-Planetary-High Torque-Ball Bearing

Global Motion Products



Not to Scale - Dimensions in millimeters (mm)

Ratio	Efficiency %	Continuous Torque mNm	Continuous Torque oz-in	Length L mm	Mass grams	Direction of Rotation*	Order Part Number
2,418.07:1	35 %	588 mNm	83.3 oz-in	37.00	31.8	Same	P162418NB00

Radial Load Rating	≤ 4.9 N	Radial Play	≤ 0.10 mm	Max Temperature Operating	60°C
Radial Load Distance	10 mm	Axial Play	≤ 0.20 mm	Min Temperature Operating	-10°C
Axial Load	≤ 4.9 N	Backlash	≤ 0.5 °	Relative Humidity Operating	20% to 85%
		Bearing	Ball	Characteristics and Specifications at 22°C	

Graphite and Precious metal Coreless DC Motors 16-17 mm Ø, up to 10-Watts peak mechanical power. 6-24 Volts & optional 3 Channel Magnetic Encoders-Line Drivers-Complementary Outputs. Lower cost standard backlash sintered metal versions. 2 Channel Optical Encoders.

The P16 o o o o NB00 Series is available as a complete Coreless DC gearmotor w/ Optional Encoders. Hall Effect or Sensorless Surface Wound BLDC Motors are available. GMP offers gearboxes and gearmotors from 6 mm diameter to 90 mm in a variety of materials & technologies.

* Rotational Sense of Gearbox Output Shaft to Motor Shaft

Global Motion Products

Distributed by:

Precision Motion Distributors: (925) 803-9565

Technical Support: (760) 451-2723

<http://www.gmpwebsite.com> Email: info@gmpwebsite.com

Manufactured under a Certified ISO 9001:2008 Quality and ISO 14001:2004 Environmental Management System.

RoHS Compliant

B - December 2012

Specifications Subject to change without notice