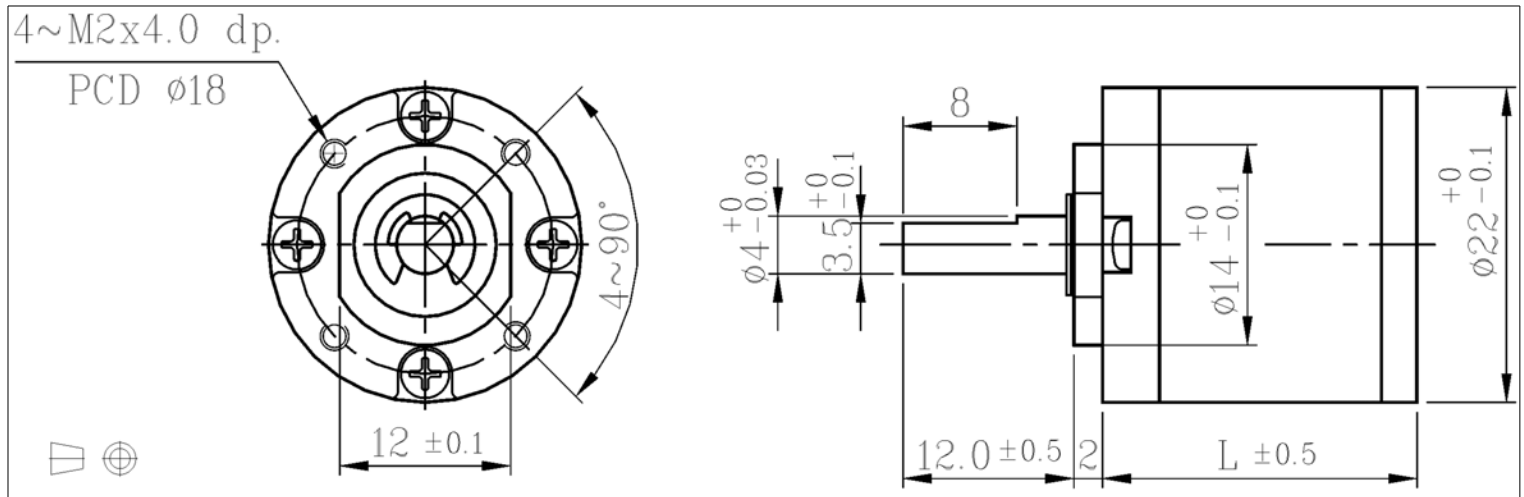


Planetary Gearbox - 22 mm Ø



Global Motion Products

Economical Sintered Metal Construction - Sleeve



Not to Scale - Dimensions in millimeters (mm)

Ratio	Efficiency %	Continuous Torque mNm	Momentary Torque mNm	Length L mm	Mass grams	Direction of Rotation*	Order Part Number
4.00:1	80 %	0.10 Nm	0.29 Nm	14.40	27.0	Same	P220004AS00
16.00:1	70 %	0.15 Nm	0.44 Nm	18.05	31.0	Same	P220016AS00
19.00:1	70 %	0.15 Nm	0.44 Nm	18.05	35.0	Same	P220019AS00
62.00:1	60 %	0.20 Nm	0.59 Nm	21.70	35.0	Same	P220062AS00
84.00:1	60 %	0.20 Nm	0.59 Nm	21.70	35.0	Same	P220084AS00
104.00:1	60 %	0.20 Nm	0.59 Nm	21.70	40.0	Same	P220104AS00
231.00:1	50 %	0.25 Nm	0.74 Nm	23.35	40.0	Same	P220231AS00
316.00:1	50 %	0.25 Nm	0.74 Nm	23.35	40.0	Same	P220316AS00
370.00:1	50 %	0.25 Nm	0.74 Nm	23.35	40.0	Same	P220370AS00
455.00:1	50 %	0.25 Nm	0.74 Nm	23.35	40.0	Same	P220455AS00
1,014.00:	40 %	0.29 Nm	0.88 Nm	29.00	44.0	Same	P221014AS00
1,621.00:	40 %	0.29 Nm	0.88 Nm	29.00	44.0	Same	P221621AS00
1,996.00:	40 %	0.29 Nm	0.88 Nm	29.00	44.0	Same	P221996AS00

Radial Load Rating	≤ 7.8 N	Radial Play	≤ 0.05 mm	Max Temperature Operating	60°C
Radial Load Distance	10 mm	Axial Play	≤ 0.20 mm	Min Temperature Operating	-10°C
Axial Load	≤ 5.9 N	Backlash	≤ 3.0 °	Relative Humidity Operating	20% to 85%
Press Fit Force - Max	≤ 49.0 N	Options		Bearing	Sleeve

The P22-AS Series offers Low Cost Iron Core DC Motors & Low Power 2 Track Magnetic Encoders - 3.5 to 20 V, 5 to 10 mA. Or 3 Channel Optical encoders with current sipping Coreless DC Motors. BLDC Motors including 2 wire are another option. GMP offers gearboxes and gearmotors from 6 mm diameter to 90 mm.

Lubes. Bearings. Coreless, Iron Core, & BLDC Motors. Plastic or metal gear first stage. Motors w/ encoders. Connectors, Custom wiring harness. Special Shafts. For Low Backlash, Ball Bearings, & Hardened Stainless Steel Shafts refer to our highly refined 0.5° backlash all metal P22 Series. * Rotational Sense of Gearbox Output Shaft to Motor Shaft

Global Motion Products
 Distributed by:
 Precision Motion Distributors: (925) 803-9565
 Technical Support: (760) 451-2723
<http://www.gmpwebsite.com> Email: info@gmpwebsite.com

Manufactured under a
 Certified ISO 9001:2008
 Quality System

RoHS Compliant

B - June 2012

Specifications Subject to change without notice