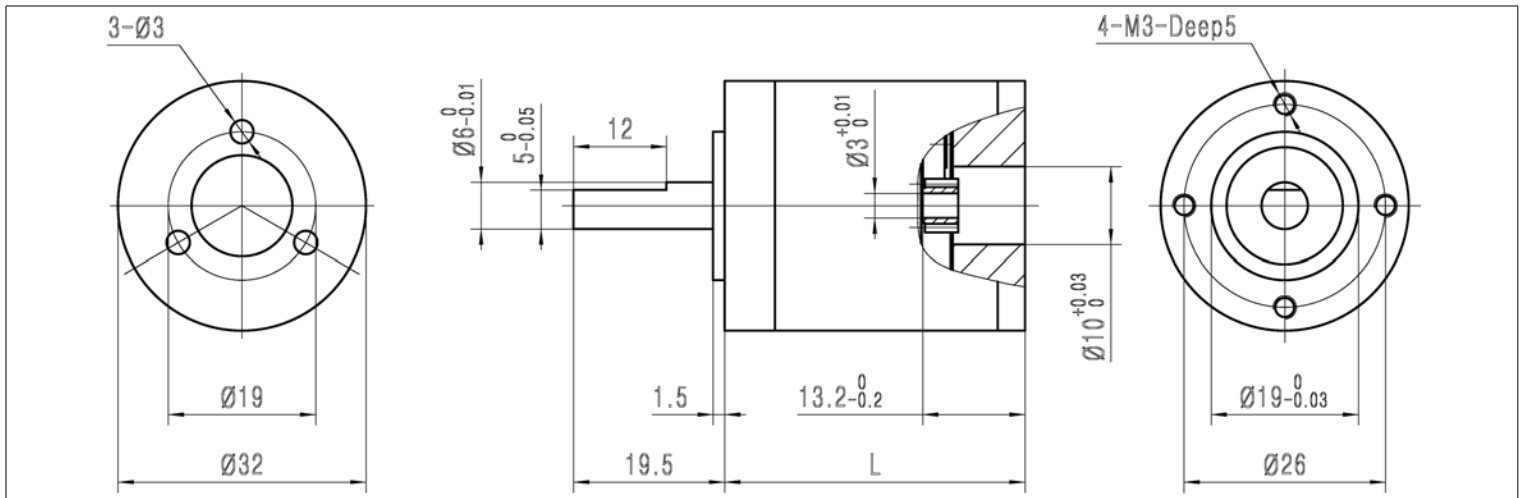


Planetary Gearbox 32 mm Stainless



High Torque - Ball Bearing - 6 Nm Continuous

Global Motion Products



Not to Scale - Dimensions in millimeters (mm)

Ratio	Efficiency %	Continuous Torque Nm	Continuous Torque oz-in	Length L mm	Mass grams	Gear Stages	Order Part Number
3.11:1	90 %	1.00 Nm	141.6 oz-in	33.00	140.0	1	P320003SB03
3.71:1	90 %	1.00 Nm	141.6 oz-in	33.00	140.0	1	P320004SB02
4.80:1	90 %	1.00 Nm	141.6 oz-in	33.00	140.0	1	P320005SB01
5.75:1	90 %	1.00 Nm	141.6 oz-in	33.00	140.0	1	P320006SB00
9.68:1	81 %	3.00 Nm	424.8 oz-in	39.30	155.0	2	P320010SB00
11.56:1	81 %	3.00 Nm	424.8 oz-in	39.30	155.0	2	P320012SB00
13.80:1	81 %	3.00 Nm	424.8 oz-in	39.30	155.0	2	P320014SB01
14.93:1	81 %	3.00 Nm	424.8 oz-in	39.30	155.0	2	P320015SB00
17.89:1	81 %	3.00 Nm	424.8 oz-in	39.30	155.0	2	P320018SB00
17.80:1	81 %	3.00 Nm	424.8 oz-in	39.30	155.0	2	P320018SB01
21.36:1	81 %	3.00 Nm	424.8 oz-in	39.30	155.0	2	P320021SB00
22.81:1	81 %	3.00 Nm	424.8 oz-in	39.30	155.0	2	P320023SB00
23.00:1	81 %	3.00 Nm	424.8 oz-in	39.30	155.0	2	P320023SB01
27.20:1	81 %	3.00 Nm	424.8 oz-in	39.30	155.0	2	P320027SB01

Radial Load Rating	≤ 140.0 N	Radial Play	≤ 0.05 mm	Max Temperature Operating	105°C
Radial Load Distance	6 mm	Axial Play	≤ 0.10 mm	Min Temperature Operating	-30°C
Axial Load	≤ 100.0 N	Backlash	≤ 1.5 °	Relative Humidity Operating	20% to 85%
Press Fit Force - Max	≤ 140.0 N	Bearing	Ball	Characteristics and Specifications at 22°C	

The P32...SB Series is available as a complete gearmotor with High Performance Slotless Brushless DC Motors, or Precious Metal or Graphite Commutated Coreless DC Motors. GMP offers gearboxes and gearmotors from 6 mm Ø to those exceeding 90 mm Ø.

Options: Configurable for Customer Supplied or Specified Motors. Lubrication options. Offered with high performance Coreless DC Precious Metal and Graphite Commutated Coreless DC Motors with encoder. Brushless DC slotless 58-Watt Motor also offered.

* Rotational Sense of Gearbox Output Shaft to Motor Shaft Same

Global Motion Products
 Distributed by:
 Precision Motion Distributors: (925) 803-9565
 Technical Support: (760) 451-2723
<http://www.gmpwebsite.com> Email: info@gmpwebsite.com

Manufactured under a
 Certified ISO 9001 Quality
 System

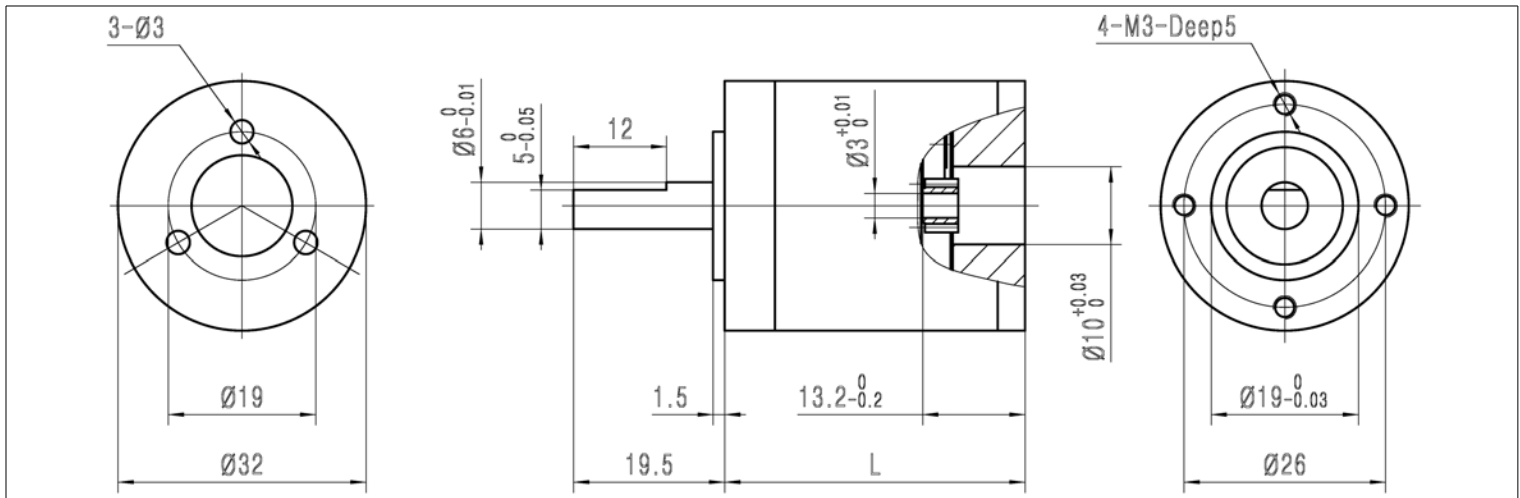
RoHS Compliant

Planetary Gearbox 32 mm Stainless



High Torque - Ball Bearing - 6 Nm Continuous

Global Motion Products



Not to Scale - Dimensions in millimeters (mm)

Ratio	Efficiency %	Continuous Torque Nm	Continuous Torque oz-in	Length L mm	Mass grams	Gear Stsages	Order Part Number
27.60:1	81 %	3.00 Nm	424.8 oz-in	39.30	155.0	2	P320028SB00
30.11:1	73 %	6.00 Nm	849.7 oz-in	45.60	170.0	3	P320030SB00
33.06:1	81 %	3.00 Nm	424.8 oz-in	39.30	155.0	2	P320033SB00
35.20:1	81 %	3.00 Nm	424.8 oz-in	39.30	155.0	2	P320035SB01
35.95:1	73 %	6.00 Nm	849.7 oz-in	45.60	170.0	3	P320036SB00
42.17:1	81 %	3.00 Nm	424.8 oz-in	39.30	155.0	2	P320042SB00
42.92:1	73 %	6.00 Nm	849.7 oz-in	45.60	170.0	3	P320043SB00
46.46:1	73 %	6.00 Nm	849.7 oz-in	45.60	170.0	3	P320046SB00
51.24:1	73 %	6.00 Nm	849.7 oz-in	45.60	170.0	3	P320051SB01
55.47:1	73 %	6.00 Nm	849.7 oz-in	45.60	170.0	3	P320055SB00
66.22:1	73 %	6.00 Nm	849.7 oz-in	45.60	170.0	3	P320066SB01
70.98:1	73 %	6.00 Nm	849.7 oz-in	45.60	170.0	3	P320071SB00
71.68:1	73 %	6.00 Nm	849.7 oz-in	45.60	170.0	3	P320072SB00
84.74:1	73 %	6.00 Nm	849.7 oz-in	45.60	170.0	3	P320085SB00

Radial Load Rating	≤ 140.0 N	Radial Play	≤ 0.05 mm	Max Temperature Operating	105°C
Radial Load Distance	6 mm	Axial Play	≤ 0.10 mm	Min Temperature Operating	-30°C
Axial Load	≤ 100.0 N	Backlash	≤ 1.5 °	Relative Humidity Operating	20% to 85%
Press Fit Force - Max	≤ 140.0 N	Bearing	Ball	Characteristics and Specifications at 22°C	

The P32...SB Series is available as a complete gearmotor with High Performance Slotless Brushless DC Motors, or Precious Metal or Graphite Commutated Coreless DC Motors. GMP offers gearboxes and gearmotors from 6 mm Ø to those exceeding 90 mm Ø.

Options: Configurable for Customer Supplied or Specified Motors. Lubrication options. Offered with high performance Coreless DC Precious Metal and Graphite Commutated Coreless DC Motors with encoder. Brushless DC slotless 58-Watt Motor also offered.

* Rotational Sense of Gearbox Output Shaft to Motor Shaft Same

Global Motion Products
 Distributed by:
 Precision Motion Distributors: (925) 803-9565
 Technical Support: (760) 451-2723
<http://www.gmpwebsite.com> Email: info@gmpwebsite.com

Manufactured under a
 Certified ISO 9001 Quality
 System

RoHS Compliant

Prelim - Sept 2012

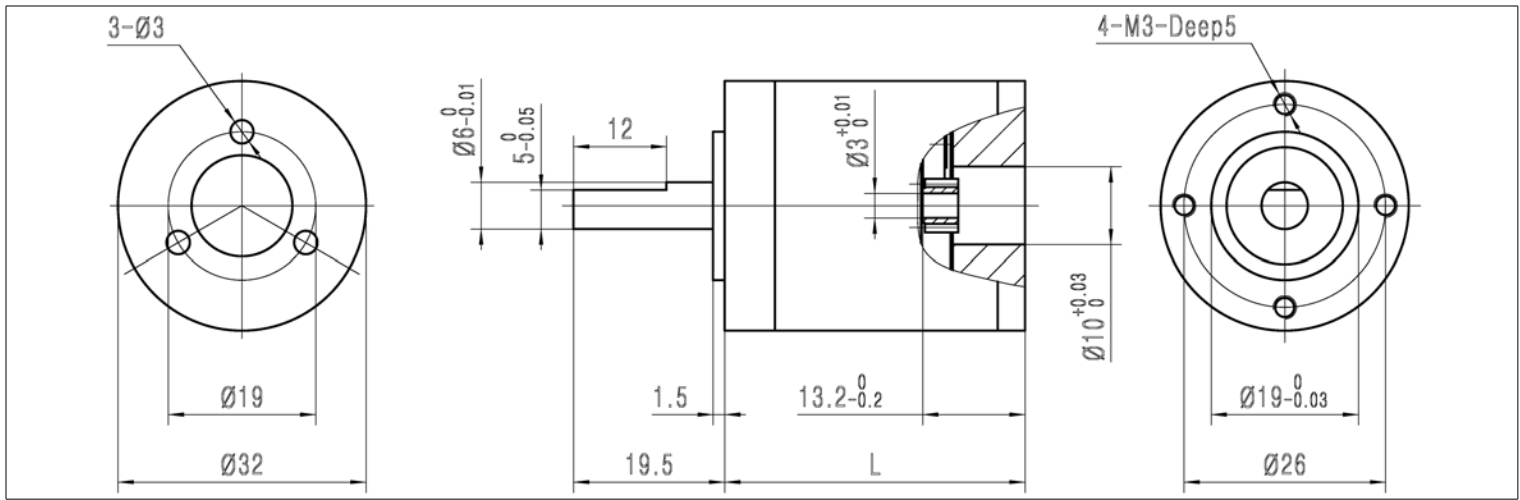
Specifications Subject to change without notice

Planetary Gearbox 32 mm Stainless



High Torque - Ball Bearing - 6 Nm Continuous

Global Motion Products



Not to Scale - Dimensions in millimeters (mm)

Ratio	Efficiency %	Continuous Torque Nm	Continuous Torque oz-in	Length L mm	Mass grams	Gear Stsages	Order Part Number
85.58:1	73 %	6.00 Nm	849.7 oz-in	45.60	170.0	3	P320086SB01
101.17:1	73 %	6.00 Nm	849.7 oz-in	45.60	170.0	3	P320101SB02
102.86:1	81 %	3.00 Nm	424.8 oz-in	39.30	155.0	2	P320103SB00
109.51:1	73 %	6.00 Nm	849.7 oz-in	45.60	170.0	3	P320110SB00
110.59:1	73 %	6.00 Nm	849.7 oz-in	45.60	170.0	3	P320111SB01
122.80:1	81 %	3.00 Nm	424.8 oz-in	39.30	155.0	2	P320123SB00
130.74:1	73 %	6.00 Nm	849.7 oz-in	45.60	170.0	3	P320131SB02
158.70:1	81 %	3.00 Nm	424.8 oz-in	39.30	155.0	2	P320159SB00
167.31:1	73 %	6.00 Nm	849.7 oz-in	45.60	170.0	3	P320167SB00
168.96:1	73 %	6.00 Nm	849.7 oz-in	45.60	170.0	3	P320169SB01
190.11:1	81 %	3.00 Nm	424.8 oz-in	39.30	155.0	2	P320190SB00
199.75:1	73 %	6.00 Nm	849.7 oz-in	45.60	170.0	3	P320200SB02
242.46:1	81 %	3.00 Nm	424.8 oz-in	39.30	155.0	2	P320242SB00
245.96:1	65 %	6.00 Nm	849.7 oz-in	51.90	185.0	4	P320246SB01

Radial Load Rating	≤ 140.0 N	Radial Play	≤ 0.05 mm	Max Temperature Operating	105°C
Radial Load Distance	6 mm	Axial Play	≤ 0.10 mm	Min Temperature Operating	-30°C
Axial Load	≤ 100.0 N	Backlash	≤ 1.5 °	Relative Humidity Operating	20% to 85%
Press Fit Force - Max	≤ 140.0 N	Bearing	Ball	Characteristics and Specifications at 22°C	

The P32...SB Series is available as a complete gearmotor with High Performance Slotless Brushless DC Motors, or Precious Metal or Graphite Commutated Coreless DC Motors. GMP offers gearboxes and gearmotors from 6 mm Ø to those exceeding 90 mm Ø.

Options: Configurable for Customer Supplied or Specified Motors. Lubrication options. Offered with high performance Coreless DC Precious Metal and Graphite Commutated Coreless DC Motors with encoder. Brushless DC slotless 58-Watt Motor also offered.

* Rotational Sense of Gearbox Output Shaft to Motor Shaft Same

Global Motion Products
 Distributed by:
 Precision Motion Distributors: (925) 803-9565
 Technical Support: (760) 451-2723
<http://www.gmpwebsite.com> Email: info@gmpwebsite.com

Manufactured under a
 Certified ISO 9001 Quality
 System

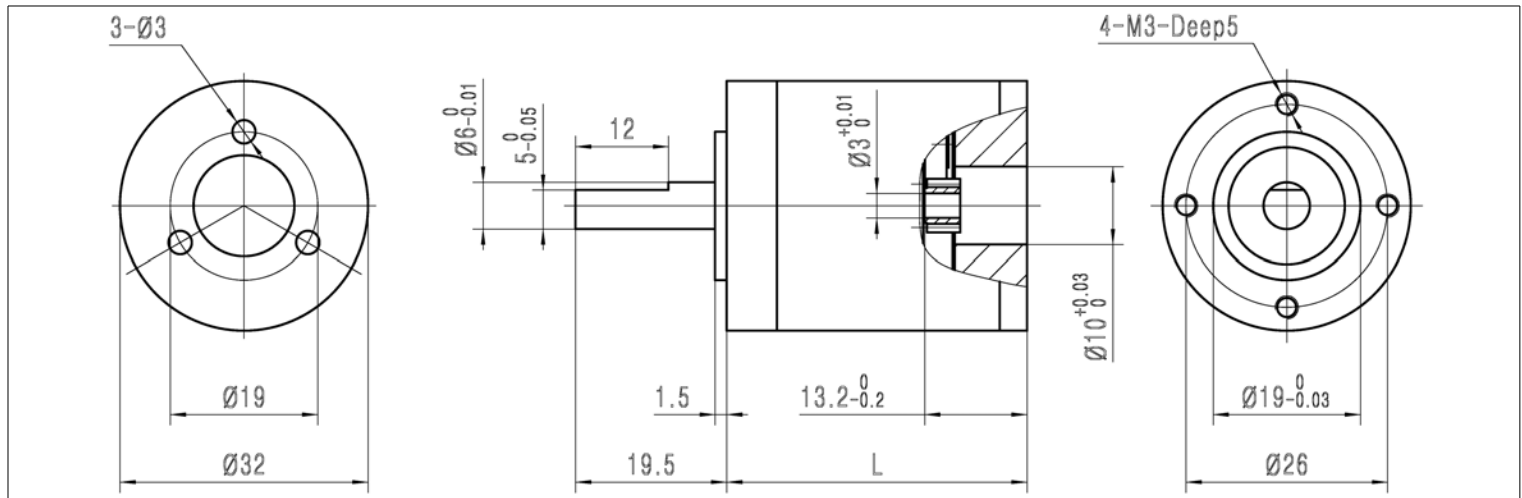
RoHS Compliant

Planetary Gearbox 32 mm Stainless



High Torque - Ball Bearing - 6 Nm Continuous

Global Motion Products



Not to Scale - Dimensions in millimeters (mm)

Ratio	Efficiency %	Continuous Torque Nm	Continuous Torque oz-in	Length L mm	Mass grams	Gear Stsages	Order Part Number
317.86:1	65 %	6.00 Nm	849.7 oz-in	51.90	185.0	4	P320318SB01
375.77:1	65 %	6.00 Nm	849.7 oz-in	51.90	185.0	4	P320376SB02
394.37:1	81 %	3.00 Nm	424.8 oz-in	39.30	155.0	2	P320394SB02
410.77:1	65 %	6.00 Nm	849.7 oz-in	51.90	185.0	4	P320411SB01
485.62:1	65 %	6.00 Nm	849.7 oz-in	51.90	185.0	4	P320486SB01
530.84:1	65 %	6.00 Nm	849.7 oz-in	51.90	185.0	4	P320531SB01
591.45:1	73 %	6.00 Nm	849.7 oz-in	45.60	170.0	3	P320591SB00
627.57:1	65 %	6.00 Nm	849.7 oz-in	51.90	185.0	4	P320628SB01
706.12:1	73 %	6.00 Nm	849.7 oz-in	45.60	170.0	3	P320706SB00
741.91:1	65 %	6.00 Nm	849.7 oz-in	51.90	185.0	4	P320742SB02
811.01:1	65 %	6.00 Nm	849.7 oz-in	51.90	185.0	4	P320811SB01
912.52:1	73 %	6.00 Nm	849.7 oz-in	45.60	170.0	3	P320913SB00
958.78:1	65 %	6.00 Nm	849.7 oz-in	51.90	185.0	4	P320959SB01
1,093.13:1	65 %	6.00 Nm	849.7 oz-in	51.90	185.0	4	P321093SB00

Radial Load Rating	≤ 140.0 N	Radial Play	≤ 0.05 mm	Max Temperature Operating	105°C
Radial Load Distance	6 mm	Axial Play	≤ 0.10 mm	Min Temperature Operating	-30°C
Axial Load	≤ 100.0 N	Backlash	≤ 1.5 °	Relative Humidity Operating	20% to 85%
Press Fit Force - Max	≤ 140.0 N	Bearing	Ball	Characteristics and Specifications at 22°C	

The P32...SB Series is available as a complete gearmotor with High Performance Slotless Brushless DC Motors, or Precious Metal or Graphite Commutated Coreless DC Motors. GMP offers gearboxes and gearmotors from 6 mm Ø to those exceeding 90 mm Ø.

Options: Configurable for Customer Supplied or Specified Motors. Lubrication options. Offered with high performance Coreless DC Precious Metal and Graphite Commutated Coreless DC Motors with encoder. Brushless DC slotless 58-Watt Motor also offered.

* Rotational Sense of Gearbox Output Shaft to Motor Shaft Same

Global Motion Products
 Distributed by:
 Precision Motion Distributors: (925) 803-9565
 Technical Support: (760) 451-2723
<http://www.gmpwebsite.com> Email: info@gmpwebsite.com

Manufactured under a
 Certified ISO 9001 Quality
 System

RoHS Compliant

Prelim - Sept 2012

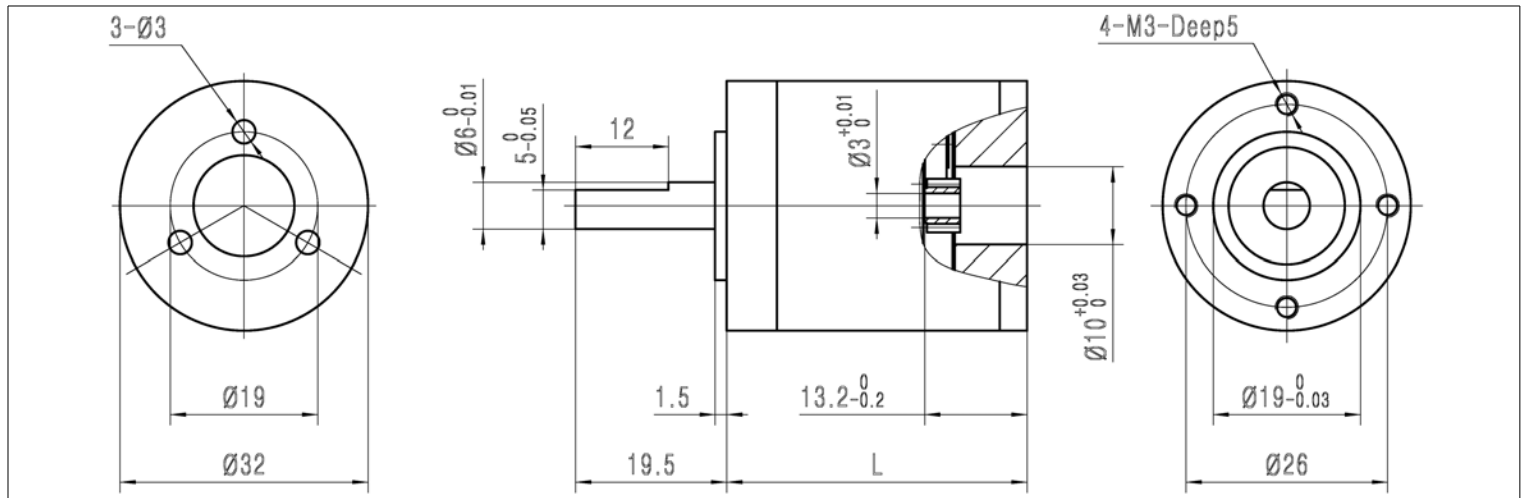
Specifications Subject to change without notice

Planetary Gearbox 32 mm Stainless



High Torque - Ball Bearing - 6 Nm Continuous

Global Motion Products



Not to Scale - Dimensions in millimeters (mm)

Ratio	Efficiency %	Continuous Torque Nm	Continuous Torque oz-in	Length L mm	Mass grams	Gear Stsages	Order Part Number
1,239.00:1	65 %	6.00 Nm	849.7 oz-in	51.90	185.0	4	P321239SB01
1,394.14:1	65 %	6.00 Nm	849.7 oz-in	51.90	185.0	4	P321394SB00
1,464.80:1	65 %	6.00 Nm	849.7 oz-in	51.90	185.0	4	P321465SB01
2,892.05:1	65 %	6.00 Nm	849.7 oz-in	51.90	185.0	4	P322892SB02
4,602.15:1	59 %	6.00 Nm	849.7 oz-in	58.20	200.0	5	P324602SB02

Radial Load Rating	≤ 140.0 N	Radial Play	≤ 0.05 mm	Max Temperature Operating	105°C
Radial Load Distance	6 mm	Axial Play	≤ 0.10 mm	Min Temperature Operating	-30°C
Axial Load	≤ 100.0 N	Backlash	≤ 1.5 °	Relative Humidity Operating	20% to 85%
Press Fit Force - Max	≤ 140.0 N	Bearing	Ball	Characteristics and Specifications at 22°C	

The P32•••SB Series is available as a complete gearmotor with High Performance Slotless Brushless DC Motors, or Precious Metal or Graphite Commutated Coreless DC Motors. GMP offers gearboxes and gearmotors from 6 mm Ø to those exceeding 90 mm Ø.

Options: Configurable for Customer Supplied or Specified Motors. Lubrication options. Offered with high performance Coreless DC Precious Metal and Graphite Motors with encoder. Brushless DC slotless 58-Watt Motor also offered.

* Rotational Sense of Gearbox Output Shaft to Motor Shaft Same

Global Motion Products
 Distributed by:
 Precision Motion Distributors: (925) 803-9565
 Technical Support: (760) 451-2723
<http://www.gmpwebsite.com> Email: info@gmpwebsite.com

Manufactured under a
 Certified ISO 9001 Quality
 System

RoHS Compliant

Prelim - Sept 2012

Specifications Subject to change without notice