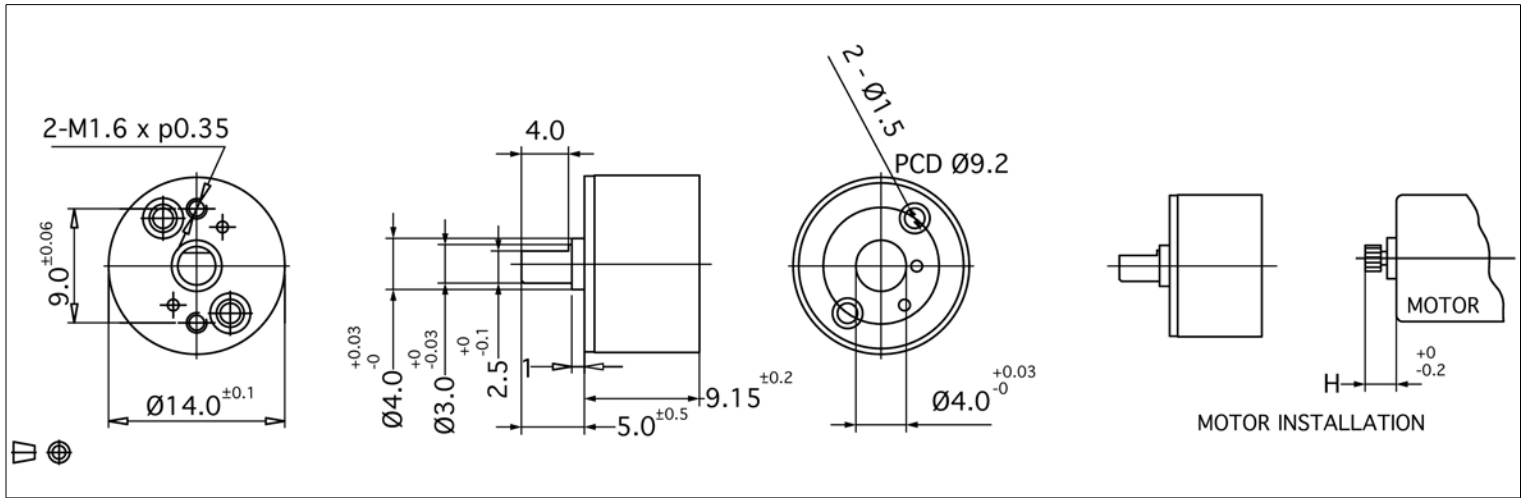


14 mm Ø Spur Gearbox - Short

Metal Low Cost Spur Gearbox - 9 mm Body Length



Not to Scale - Dimensions in millimeters (mm)

Ratio	Efficiency %	Continuous Torque mNm	Continuous Torque oz-in	Length L mm	Mass grams	Direction of Rotation*	Order Part Number
9.96:1	81 %	196 mNm	27.8 oz-in	9.50	4.7	Same	G140010GN00
19.22:1	73 %	196 mNm	27.8 oz-in	9.50	4.7	Opposite	G140019GN00
29.12:1	73 %	196 mNm	27.8 oz-in	9.50	4.7	Opposite	G140029GN00
59.68:1	66 %	196 mNm	27.8 oz-in	9.50	4.7	Same	G140060GN00
75.71:1	66 %	196 mNm	27.8 oz-in	9.50	4.7	Same	G140076GN00
101.91:1	66 %	196 mNm	27.8 oz-in	9.50	4.7	Same	G140102GN00
134.46:1	59 %	196 mNm	27.8 oz-in	9.50	4.7	Opposite	G140134GN00
196.63:1	59 %	196 mNm	27.8 oz-in	9.50	4.7	Opposite	G140197GN00
234.85:1	59 %	196 mNm	27.8 oz-in	9.50	4.7	Opposite	G140235GN00
297.92:1	59 %	196 mNm	27.8 oz-in	9.50	4.7	Opposite	G140298GN00

Radial Load Rating	≤ 3.9 N	Radial Play	≤ 0.06 mm	Max Temperature Operating	-10°C
Radial Load Distance	5 mm	Axial Play	≤ 0.30 mm	Min Temperature Operating	60°C
Axial Load	≤ 2.0 N	Backlash	≤ 3.0 °	Relative Humidity Operating	20% to 85%
Press Fit Force - Max	≤ 19.6 N	Bearing	Sleeve	Characteristics and Specifications at 22°C	

The G14 Series offers Low Cost Iron Core DC Motors & Low Power 2 Track Magnetic Encoders - 3.5 to 20 V, 5 to 10 mA. Or 3 Channel Optical encoders with current sipping Coreless DC Motors. BLDC Motors including 2 wire are another option. GMP offers gearboxes and gearmotors from 6 mm diameter to 90 mm.

Options: Coreless, Iron Core, Brushless, and PM Stepper Motors. Low Cost Low Power Quadrature Magnetic Encoders. Lubrication.

* Rotational Sense of Gearbox Output Shaft to Motor Shaft

Global Motion Products

Distributed by:

Precision Motion Distributors: (925) 803-9565

Technical Support: (760) 451-2723

http://www.gmpwebsite.com Email: info@gmpwebsite.com A - April 2013

Manufactured under a Certified ISO 9001:2008 Quality and ISO 14001:2004 Environmental Management System.

RoHS Compliant

Specifications Subject to change without notice