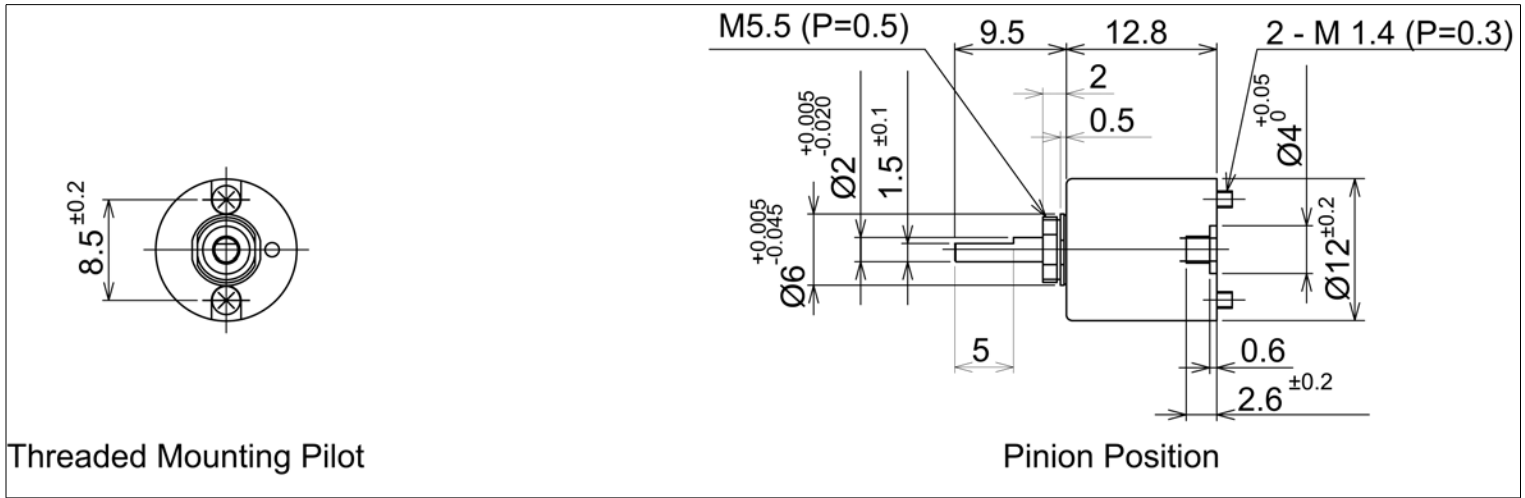


12 mm Ø x 13 Precision Spur Gearbox



Short Length Low Friction Gearbox G12 Series

Global Motion Products



Not to Scale - Dimensions in millimeters (mm)

Ratio	Efficiency %	Continuous Torque mNm	Continuous Torque oz-in	Length L mm	Mass grams	Direction of Rotation*	Order Part Number
7.49:1	81 %	5 mNm	0.7 oz-in	12.80	4.6	Same	G120007XS00
15.56:1	73 %	12 mNm	1.7 oz-in	12.80	4.7	Opposite	G120016XS00
31.12:1	66 %	24 mNm	3.5 oz-in	12.80	4.9	Same	G120031XS00
52.25:1	66 %	24 mNm	3.5 oz-in	12.80	4.9	Same	G120052XS00
71.99:1	66 %	24 mNm	3.5 oz-in	12.80	4.9	Same	G120072XS00
100.22:1	59 %	24 mNm	3.5 oz-in	12.80	5.0	Opposite	G120100XS00
149.99:1	59 %	24 mNm	3.5 oz-in	12.80	5.0	Opposite	G120150XS00
208.79:1	59 %	24 mNm	3.5 oz-in	12.80	5.0	Opposite	G120209XS00

Radial Load Rating	Radial Play	≤ 0.07 mm	Max Temperature Operating	60°C
Radial Load Distance	Axial Play	≤ 0.25 mm	Min Temperature Operating	-10°C
Axial Load	Backlash	≤ 3.0 °	Relative Humidity Operating	20% to 85%
Press Fit Force - Max	Bearing	Sleeve	Characteristics and Specifications at 22°C	

The G12 is available as a complete gearmotor with iron core, or coreless dc motors. Short overall length and low input friction are highlights. GMP offers gearboxes and gearmotors from 5 mm diameter to in excess of 90 mm in Brushless dc, Brush DC and Stepper Motor technology.

Options: Tapped Mounting Holes vs. Threaded Pilot Mounting. Coreless DC Motors up to 2.1 Watts, iron core dc motors. Special Lubrication. C12PxxSxxxx Series Coreless dc motors are popular mating motors.

* Rotational Sense of Gearbox Output Shaft to Motor Shaft

Global Motion Products
 Distributed by:
 Precision Motion Distributors: (925) 803-9565
 Technical Support: (760) 451-2723
<http://www.gmpwebsite.com> Email: info@gmpwebsite.com A - June 2013

Manufactured under a Certified ISO 9001 Quality System and ISO 14001 Environmental Management System.

RoHS Compliant

Specifications Subject to change without notice