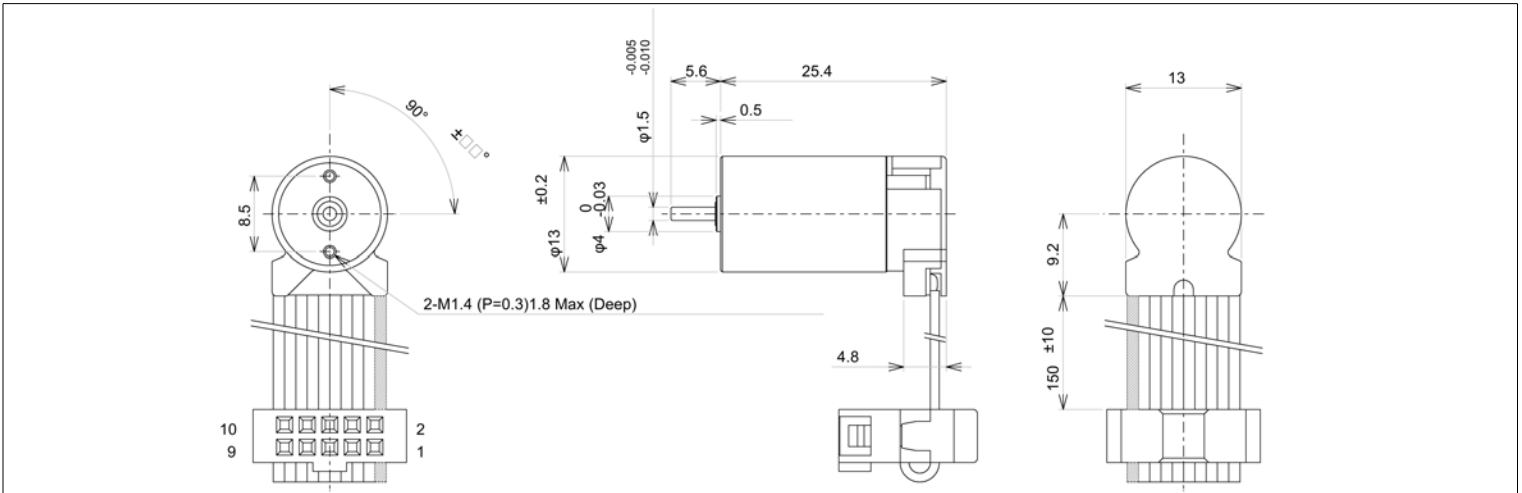
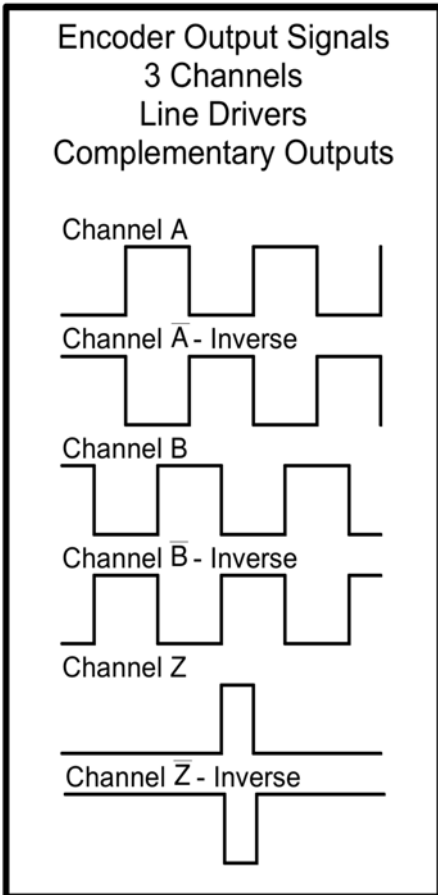


13 mm Ø Encoder - 3 Channel

Series EM13xxxxZ50 - Line Drive - Compl. Out



Not to Scale - Dimensions in millimeters (mm)



Supply Voltage - Max	5.20 Volt
Supply Voltage - Min	4.75 Volt
Supply Current - Max	≤ 25 mA
Output Current - Max	≤ 5 mA
Max Temp - Operating	60°C
Min Temp - Operating	-10°C
Relative Humidity - Operating	20% to 85%

Above Drawing is for encoder mounted to 13 mm diameter x 20 mm long Coreless dc motor.

Encoder is compatible with 13 mm diameter x 20 mm and x 28 mm long Coreless dc motors.

Length increase for integrated encoder is 5.7 mm.

Counts per Track per Rev.
32, 64, 128, 256

Maximum Frequency Response
Corresponds to a motor rotor speed of 18,750 rpm

Pinout Details

Connector Pin Number	Function
1	Motor +
2	Vcc
3	Ground
4	Motor -
5	Channel A - Inv
6	Channel A
7	Channel B - Inv
8	Channel B
9	Channel Z - Inv
10	Channel Z

Connector Details

Manufacturer: Molex
Housing Assembly: 54559-1011
Upper Housing: 54560-1011
Strain Relief: 54561-1011
Flat Band Cable: AWG#28

This Encoder Is Only Available Mounted To A Global Motion Products Coreless DC Motor. It Is Not Sold Separately.

Line Drivers, Complementary Outputs, and Index Track can be ignored. Utilize only signals needed. This encoder employs a Magnetoresistive Effect Element. It can be integrated into a range of 13 mm diameter coreless dc motors that have options for either 12 mm Ø spur or 13 mm Ø planetary gearboxes.

Similar versions of this encoder are available for 10 and 16 mm/17 mm diameter coreless dc motors. A 16 mm diameter 2 Channel Optical version also is available. This encoder is not sold separately.

Characteristics and Specifications at 22°C

Global Motion Products
Distributed by:
Precision Motion Distributors: (925) 803-9565
Technical Support: (760) 451-2723
<http://www.gmpwebsite.com> Email: info@gmpwebsite.com

Manufactured under a Certified ISO 9001:2008 Quality System.

RoHS Compliant