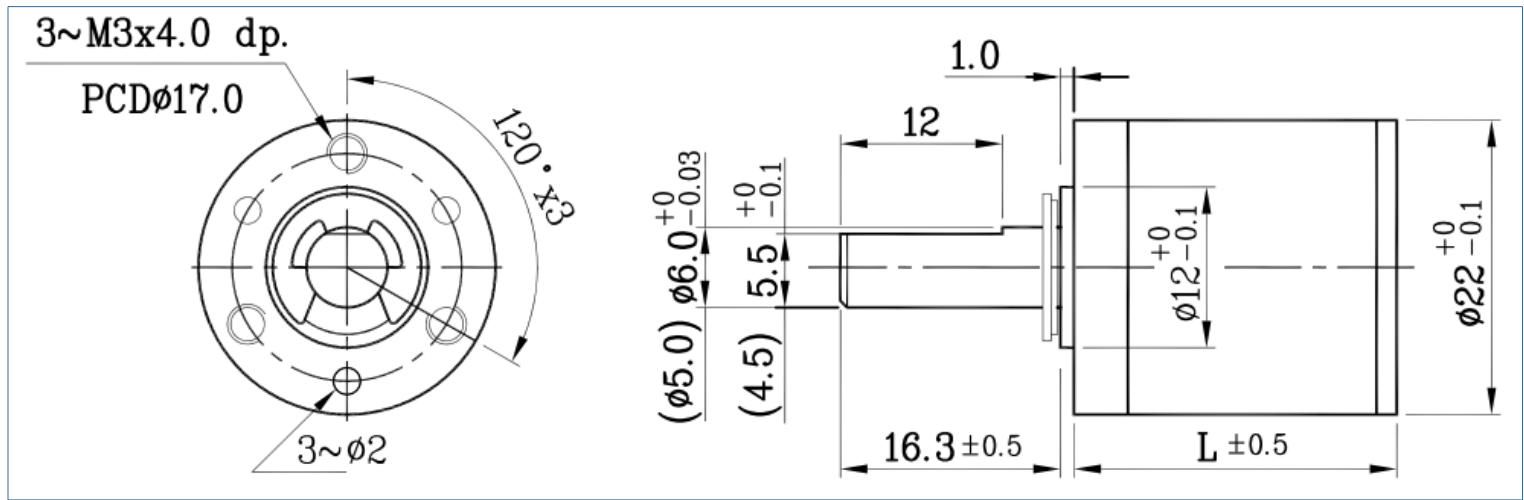


Planetary Gearbox - 22 mm Ø



High Torque High Value Metal Gearbox

Global Motion Products



Not to Scale - Dimensions in millimeters (mm)

Ratio	Efficiency %	Continuous Torque mNm	Continuous Torque oz-in	Length L mm	Mass grams	Direction of Rotation*	Order Part Number
4.67:1	80 %	196 mNm	27.8 oz-in	23.30	46.0	Same	P220005BB0
17.50:1	70 %	294 mNm	41.7 oz-in	29.50	51.0	Same	P220018BB0
20.46:1	70 %	294 mNm	41.7 oz-in	29.50	51.0	Same	P220020BB0
25.20:1	70 %	294 mNm	41.7 oz-in	29.50	51.0	Same	P220025BB0
65.62:1	60 %	392 mNm	55.5 oz-in	35.70	58.0	Same	P220066BB0
76.73:1	60 %	392 mNm	55.5 oz-in	35.70	58.0	Same	P220077BB0
89.72:1	60 %	392 mNm	55.5 oz-in	35.70	58.0	Same	P220090BB0
110.49:1	60 %	392 mNm	55.5 oz-in	35.70	58.0	Same	P220110BB0
136.08:1	60 %	392 mNm	55.5 oz-in	35.70	58.0	Same	P220136BB0
246.09:1	50 %	490 mNm	69.4 oz-in	41.90	65.0	Same	P220246BB0
336.43:1	50 %	490 mNm	69.4 oz-in	41.90	65.0	Same	P220336BB0
393.37:1	50 %	490 mNm	69.4 oz-in	41.90	65.0	Same	P220393BB0
484.47:1	50 %	490 mNm	69.4 oz-in	41.90	65.0	Same	P220484BB0
596.66:1	50 %	490 mNm	69.4 oz-in	41.90	65.0	Same	P220597BB0

Radial Load Rating	≤ 11.8 N	Radial Play	≤ 0.04 mm	Max Temperature Operating	60°C
Radial Load Distance	10 mm	Axial Play	≤ 0.30 mm	Min Temperature Operating	-10°C
Axial Load	≤ 6.9 N	Backlash	≤ 2.5 °	Relative Humidity Operating	20% to 85%
Press Fit Force - Max	≤ 58.8 N	Bearing	Ball	Characteristics and Specifications at 22°C	

Utilizing Ball Bearings, steel shaft and pins, Aluminum Ring Gear, powered metal components, zinc die cast flange, and first stage of plastic gears for noise reduction (metal gears optional) this gearbox series whispers VALUE.

Lubrication. Ball or Sleeve Bearings. Coreless and Iron Core Motors. Motors with magnetic and optical encoders. Wiring harness. Connectors.

* Rotational Sense of Gearbox Output Shaft to Motor Shaft

Global Motion Products

Distributed by:

Precision Motion Distributors: (925) 803-9565

Technical Support: (760) 451-2723

http://www.gmpwebsite.com Email: info@gmpwebsite.com B - January 2014

Manufactured under a Certified ISO 9001 : 2008
Quality System and ISO 14001 Environmental
Management System.

RoHS Compliant

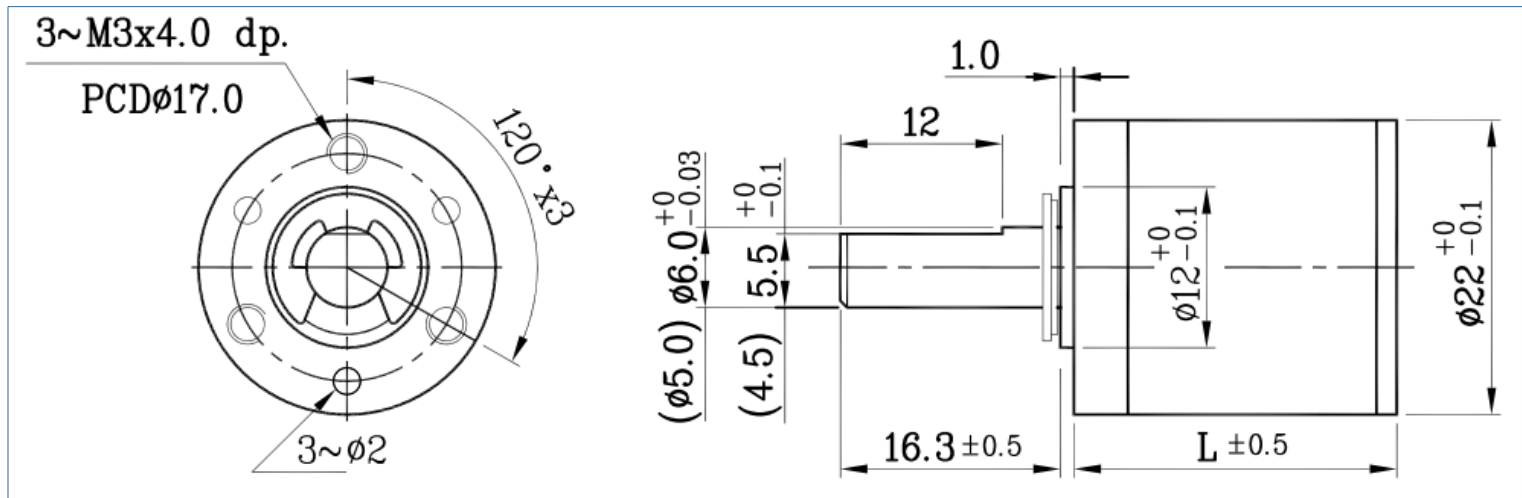
Specifications Subject to change without notice

Planetary Gearbox - 22 mm Ø



High Torque High Value Metal Gearbox

Global Motion Products



Not to Scale - Dimensions in millimeters (mm)

Ratio	Efficiency %	Continuous Torque mNm	Continuous Torque oz-in	Length L mm	Mass grams	Direction of Rotation*	Order Part Number
734.83:1	50 %	490 mNm	69.4 oz-in	41.90	65.0	Same	P220735BB0
1,079.03:1	40 %	588 mNm	83.3 oz-in	48.10	72.0	Same	P221079BB0
1,475.14:1	40 %	588 mNm	83.3 oz-in	48.10	72.0	Same	P221475BB0
2,124.20:1	40 %	588 mNm	83.3 oz-in	48.10	72.0	Same	P222124BB0
3,698.09:1	40 %	588 mNm	83.3 oz-in	48.10	72.0	Same	P223698BB0

Radial Load Rating	≤ 11.8 N	Radial Play	≤ 0.04 mm	Max Temperature Operating	60°C
Radial Load Distance	10 mm	Axial Play	≤ 0.30 mm	Min Temperature Operating	-10°C
Axial Load	≤ 6.9 N	Backlash	≤ 2.5 °	Relative Humidity Operating	20% to 85%
Press Fit Force - Max	≤ 58.8 N	Bearing	Ball	Characteristics and Specifications at 22°C	

Utilizing Ball Bearings, steel shaft and pins, Aluminum Ring Gear, powered metal components, zinc die cast flange, and first stage of plastic gears for noise reduction (metal gears optional) this gearbox series whispers VALUE.

Lubrication. Ball or Sleeve Bearings. Coreless and Iron Core Motors. Motors with magnetic and optical encoders. Wiring harness. Connectors.

* Rotational Sense of Gearbox Output Shaft to Motor Shaft

Global Motion Products

Distributed by:

Precision Motion Distributors: (925) 803-9565

Technical Support: (760) 451-2723

<http://www.gmpwebsite.com> Email: info@gmpwebsite.com B - January 2014

Manufactured under a Certified ISO 9001 : 2008
Quality System and ISO 14001 Environmental
Management System.

RoHS Compliant

Specifications Subject to change without notice