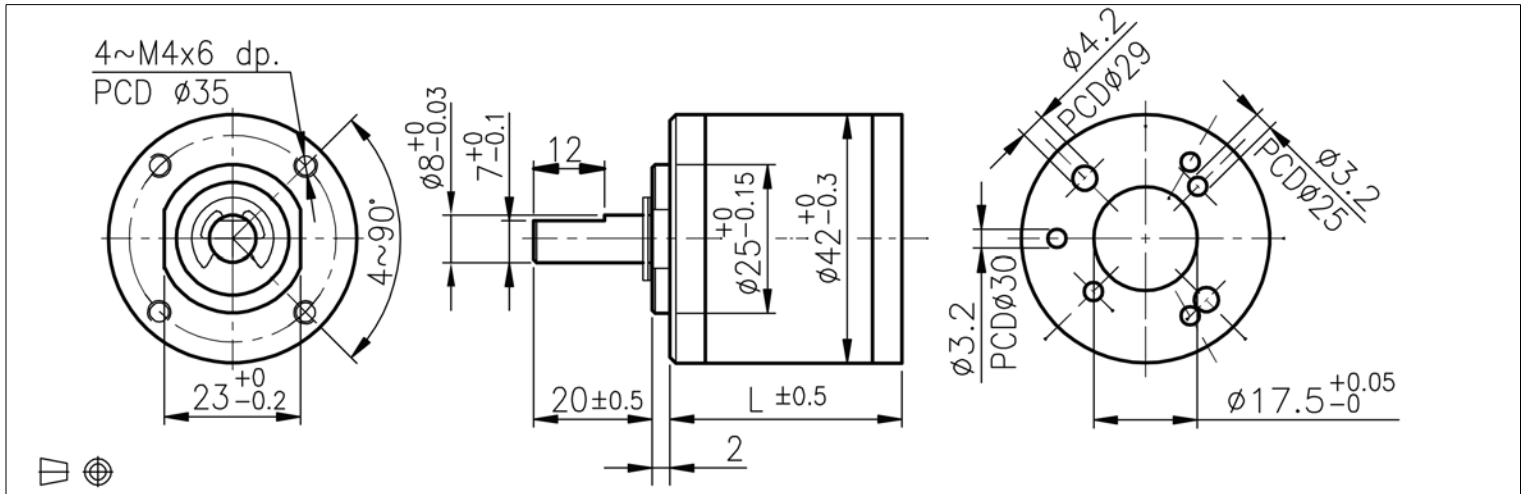


Planetary Gearbox - Metal - 42 mm Ø



High Value/Torque - 8.8 Nm Peak - Ball Bearing

Global Motion Products



Not to Scale - Dimensions in millimeters (mm)

Ratio	Efficiency %	Continuous Torque Nm	Continuous Torque oz-in	Length L mm	Mass grams	Direction of Rotation*	Order Part Number
4.00:1	80 %	0.49 Nm	69.4 oz-in	32.5	139.0	Same	P420004AB00
14.00:1	70 %	0.98 Nm	138.9 oz-in	39.2	191.0	Same	P420014AB00
17.33:1	70 %	0.98 Nm	138.9 oz-in	39.2	191.0	Same	P420017AB00
24.00:1	70 %	0.98 Nm	138.9 oz-in	39.2	191.0	Same	P420024AB00
49.00:1	60 %	1.77 Nm	250.0 oz-in	45.9	231.0	Same	P420049AB00
60.67:1	60 %	1.77 Nm	250.0 oz-in	45.9	231.0	Same	P420061AB00
84.00:1	60 %	1.77 Nm	250.0 oz-in	45.9	231.0	Same	P420084AB00
104.00:1	60 %	1.96 Nm	277.7 oz-in	45.9	231.0	Same	P420104AB00
144.00:1	60 %	1.96 Nm	277.7 oz-in	45.9	231.0	Same	P420144AB00
212.33:1	50 %	2.45 Nm	347.2 oz-in	52.6	281.0	Same	P420212AB00
294.00:1	50 %	2.45 Nm	347.2 oz-in	52.6	281.0	Same	P420294AB00
504.00:1	50 %	2.94 Nm	416.6 oz-in	52.6	281.0	Same	P420504AB00
624.00:1	50 %	2.94 Nm	416.6 oz-in	52.6	281.0	Same	P420624AB00
720.00:1	50 %	2.94 Nm	416.6 oz-in	52.6	281.0	Same	P420720AB00

Radial Load Rating	≤ 78.5 N	Radial Play	≤ 0.04 mm	Max Temperature Operating	60°C
Radial Load Distance	10 mm	Axial Play	≤ 0.30 mm	Min Temperature Operating	-10°C
Axial Load	≤ 29.4 N	Backlash	≤ 3.0 °	Relative Humidity Operating	20% to 85%
Press Fit Force - Max	≤ 147.1 N	Bearing	Ball	Characteristics and Specifications at 22°C	

The P42 can be offered with Customer Supplied or GMP Motors or as an OEM Gearbox. Lubrication, Ball or Sleeve Bearings. 500-Watt Peak Coreless dc motor, 80-Watt Iron Core DC motor, and BLDC slotless 128-Watt Motor are available as a factory assembled assembly, with optional magnetic or optical encoder.

Options: Lubrication. Bearings. Coreless, Brushless DC and Iron Core DC Motors. Motors with Magnetic or Optical Encoders, Wiring Harness, Connectors, special shaft configurations.

* Rotational Sense of Gearbox Output Shaft to Motor Shaft

Global Motion Products
 Distributed by:
 Precision Motion Distributors: (925) 803-9565
 Technical Support: (760) 451-2723
<http://www.gmpwebsite.com> Email: info@gmpwebsite.com

Manufactured under a Certified ISO 9001:2008
 Quality and ISO 14001:2004 Environmental
 Management System.

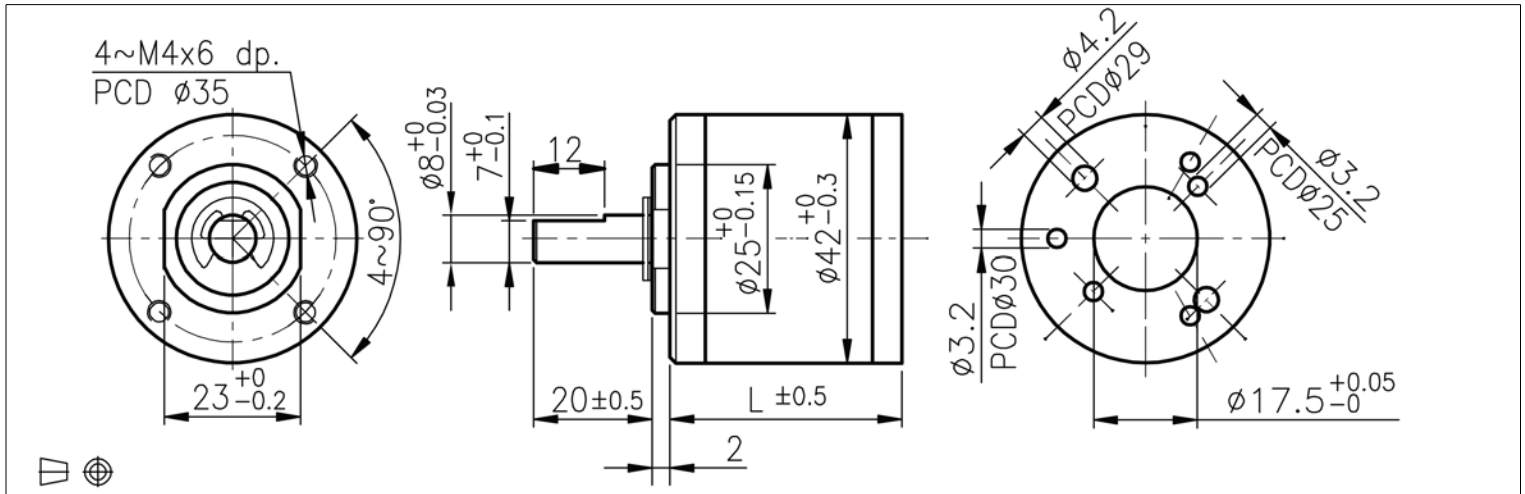
RoHS Compliant

Planetary Gearbox - Metal - 42 mm Ø



High Value/Torque - 8.8 Nm Peak - Ball Bearing

Global Motion Products



Not to Scale - Dimensions in millimeters (mm)

Ratio	Efficiency %	Continuous Torque Nm	Continuous Torque oz-in	Length L mm	Mass grams	Direction of Rotation*	Order Part Number
864.00:1	50 %	2.94 Nm	416.6 oz-in	52.6	281.0	Same	P420864AB00
1,061.67:1	40 %	2.94 Nm	416.6 oz-in	59.6	326.0	Same	P421062AB00
1,470.00:1	40 %	2.94 Nm	416.6 oz-in	59.6	326.0	Same	P421470AB00
2,500.00:1	40 %	2.94 Nm	416.6 oz-in	59.6	326.0	Same	P422500AB00
3,000.00:1	40 %	2.94 Nm	416.6 oz-in	59.6	326.0	Same	P423000AB00
3,600.00:1	40 %	2.94 Nm	416.6 oz-in	59.6	326.0	Same	P423600AB00

Radial Load Rating ≤ 78.5 N
 Radial Load Distance 10 mm
 Axial Load ≤ 29.4 N
 Press Fit Force - Max ≤ 147.1 N

Radial Play ≤ 0.04 mm
 Axial Play ≤ 0.30 mm
 Backlash ≤ 3.0 °
 Bearing Ball

Max Temperature Operating 60°C
 Min Temperature Operating -10°C
 Relative Humidity Operating 20% to 85%
 Characteristics and Specifications at 22°C

The P42 can be offered with Customer Supplied or GMP Motors or as an OEM Gearbox. Lubrication, Ball or Sleeve Bearings. 500-Watt Peak Coreless dc motor, 80-Watt Iron Core DC motor, and BLDC slotless 128-Watt Motor are available as a factory assembled assembly, with optional magnetic or optical encoder.

Options: Lubrication. Bearings. Coreless, Brushless DC and Iron Core DC Motors. Motors with Magnetic or Optical Encoders, Wiring Harness, Connectors, special shaft configurations.

* Rotational Sense of Gearbox Output Shaft to Motor Shaft

Global Motion Products
 Distributed by:
 Precision Motion Distributors: (925) 803-9565
 Technical Support: (760) 451-2723
<http://www.gmpwebsite.com> Email: info@gmpwebsite.com

Manufactured under a Certified ISO 9001:2008
 Quality and ISO 14001:2004 Environmental
 Management System.

RoHS Compliant

B - October 2014

Specifications Subject to change without notice