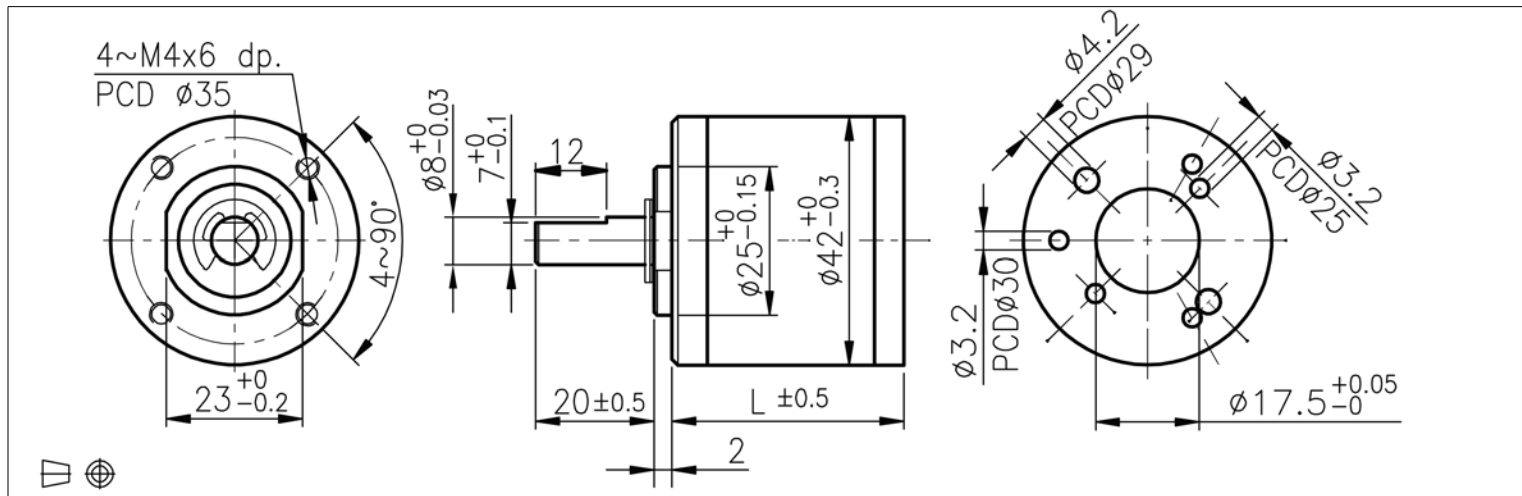


Planetary Gearbox - Metal - 42 mm Ø



High Value/Torque - 8.8 Nm Peak - Sleeve Bear.

Global Motion Products



Not to Scale - Dimensions in millimeters (mm)

Ratio	Efficiency %	Continuous Torque Nm	Continuous Torque oz-in	Length L mm	Mass grams	Direction of Rotation*	Order Part Number
4.00:1	80 %	0.49 Nm	69.4 oz-in	32.5	141.0	Same	P420004AS00
14.00:1	70 %	0.98 Nm	138.9 oz-in	39.2	193.0	Same	P420014AS00
17.33:1	70 %	0.98 Nm	138.9 oz-in	39.2	193.0	Same	P420017AS00
24.00:1	70 %	0.98 Nm	138.9 oz-in	39.2	193.0	Same	P420024AS00
49.00:1	60 %	1.77 Nm	250.0 oz-in	49.5	233.0	Same	P420049AS00
60.67:1	60 %	1.77 Nm	250.0 oz-in	49.5	233.0	Same	P420061AS00
84.00:1	60 %	1.77 Nm	250.0 oz-in	49.5	233.0	Same	P420084AS00
104.00:1	60 %	1.96 Nm	277.7 oz-in	49.5	233.0	Same	P420104AS00
144.00:1	60 %	1.96 Nm	277.7 oz-in	49.5	233.0	Same	P420144AS00
212.33:1	50 %	2.45 Nm	347.2 oz-in	52.6	283.0	Same	P420212AS00
294.00:1	50 %	2.45 Nm	347.2 oz-in	52.6	283.0	Same	P420294AS00
504.00:1	50 %	2.94 Nm	416.6 oz-in	52.6	283.0	Same	P420504AS00
624.00:1	50 %	2.94 Nm	416.6 oz-in	52.6	283.0	Same	P420624AS00
720.00:1	50 %	2.94 Nm	416.6 oz-in	52.6	283.0	Same	P420720AS00

Radial Load Rating	≤ 49.0 N	Radial Play	≤ 0.05 mm	Max Temperature Operating	60°C
Radial Load Distance	10 mm	Axial Play	≤ 0.30 mm	Min Temperature Operating	-10°C
Axial Load	≤ 29.4 N	Backlash	≤ 3.0 °	Relative Humidity Operating	20% to 85%
Press Fit Force - Max	≤ 147.1 N	Bearing	Sleeve	Characteristics and Specifications at 22°C	

The P42 can be offered with Customer Supplied or GMP Motors or as an OEM Gearbox. Lubrication, Ball or Sleeve Bearings. 500-Watt Peak Coreless dc motor, 80-Watt Iron Core DC motor, and BLDC slotless 128-Watt Motor are available as a factory assembled assembly, with optional magnetic or optical encoder.

Options: Lubrication. Bearings. Coreless, Brushless DC and Iron Core DC Motors. Motors with Magnetic or Optical Encoders, Wiring Harness, Connectors, special shaft configurations.

* Rotational Sense of Gearbox Output Shaft to Motor Shaft

Global Motion Products
 Distributed by:
 Precision Motion Distributors: (925) 803-9565
 Technical Support: (760) 451-2723
<http://www.gmpwebsite.com> Email: info@gmpwebsite.com

Manufactured under a Certified ISO 9001:2008
 Quality and ISO 14001:2004 Environmental
 Management System.

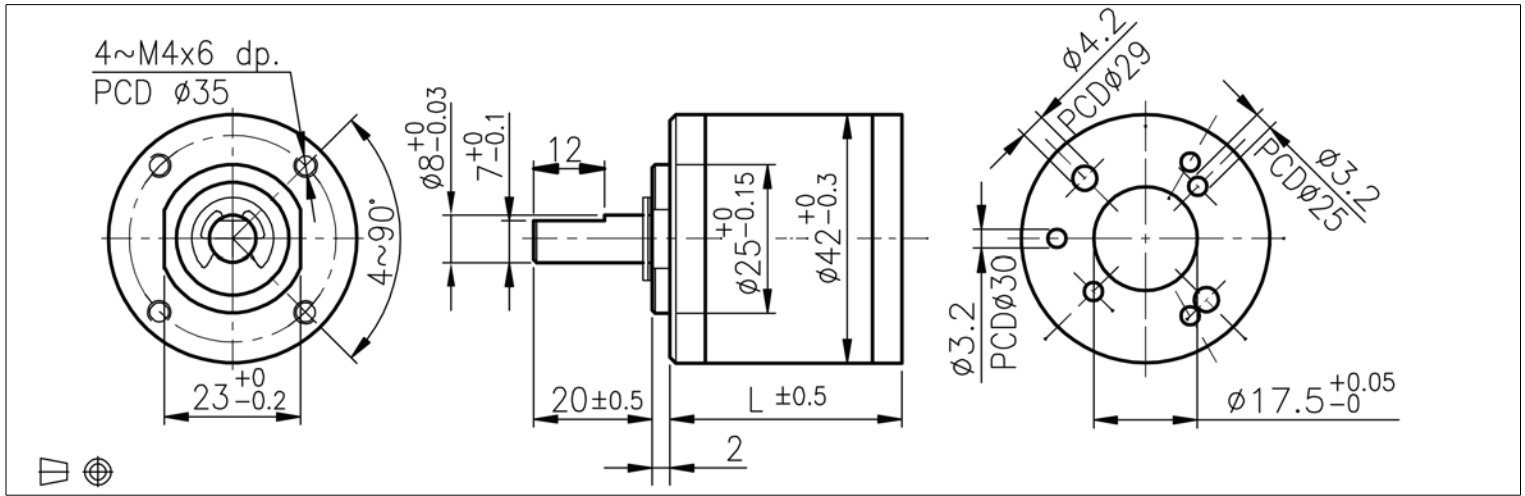
RoHS Compliant

Planetary Gearbox - Metal - 42 mm Ø



High Value/Torque - 8.8 Nm Peak - Sleeve Bear.

Global Motion Products



Not to Scale - Dimensions in millimeters (mm)

Ratio	Efficiency %	Continuous Torque Nm	Continuous Torque oz-in	Length L mm	Mass grams	Direction of Rotation*	Order Part Number
864.00:1	50 %	2.94 Nm	416.6 oz-in	52.6	283.0	Same	P420864AS00
1,061.00:1	40 %	2.94 Nm	416.6 oz-in	59.6	328.0	Same	P421062AS00
1,470.00:1	40 %	2.94 Nm	416.6 oz-in	59.6	328.0	Same	P421470AS00
2,500.00:1	40 %	2.94 Nm	416.6 oz-in	59.6	328.0	Same	P422500AS00
3,000.00:1	40 %	2.94 Nm	416.6 oz-in	59.6	328.0	Same	P423000AS00
3,600.00:1	40 %	2.94 Nm	416.6 oz-in	59.6	328.0	Same	P423600AS00

Radial Load Rating	≤ 49.0 N	Radial Play	≤ 0.05 mm	Max Temperature Operating	60°C
Radial Load Distance	10 mm	Axial Play	≤ 0.30 mm	Min Temperature Operating	-10°C
Axial Load	≤ 29.4 N	Backlash	≤ 3.0 °	Relative Humidity Operating	20% to 85%
Press Fit Force - Max	≤ 147.1 N	Bearing	Sleeve	Characteristics and Specifications at 22°C	

The P42 can be offered with Customer Supplied or GMP Motors or as an OEM Gearbox. Lubrication, Ball or Sleeve Bearings. 500-Watt Peak Coreless dc motor, 80-Watt Iron Core DC motor, and BLDC slotless 128-Watt Motor are available as a factory assembled assembly, with optional magnetic or optical encoder.

Options: Lubrication. Bearings. Coreless, Brushless DC and Iron Core DC Motors. Motors with Magnetic or Optical Encoders, Wiring Harness, Connectors, special shaft configurations.

* Rotational Sense of Gearbox Output Shaft to Motor Shaft

Global Motion Products

Distributed by:

Precision Motion Distributors: (925) 803-9565

Technical Support: (760) 451-2723

<http://www.gmpwebsite.com> Email: info@gmpwebsite.com

Manufactured under a Certified ISO 9001:2008
Quality and ISO 14001:2004 Environmental
Management System.

RoHS Compliant

B - October 2014

Specifications Subject to change without notice